

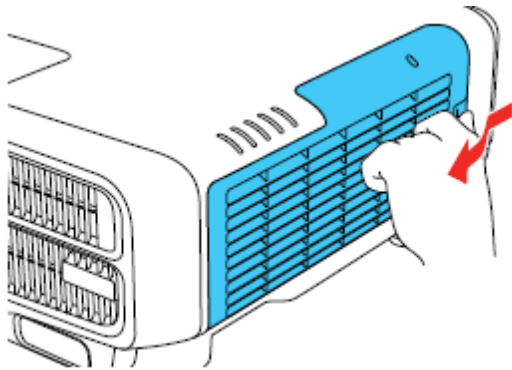
# Firmware Update Procedure via USB Flash Drive

## On Pro G7/Pro L Series

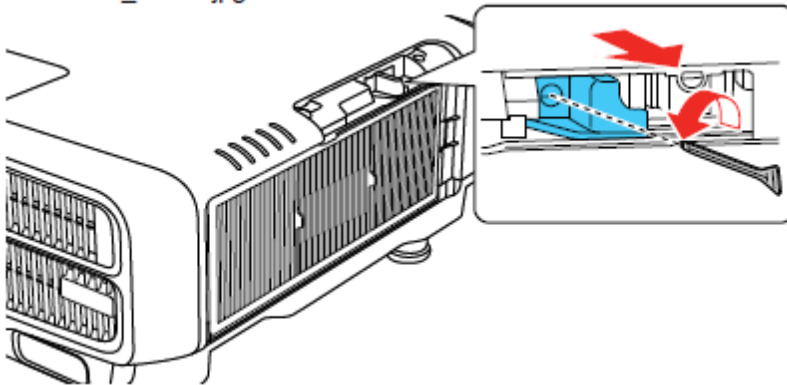
Copy the BIN firmware file to the root of the USB Flash drive. Make sure there are no other files on the Flash drive.

### Installing the USB Flash Drive

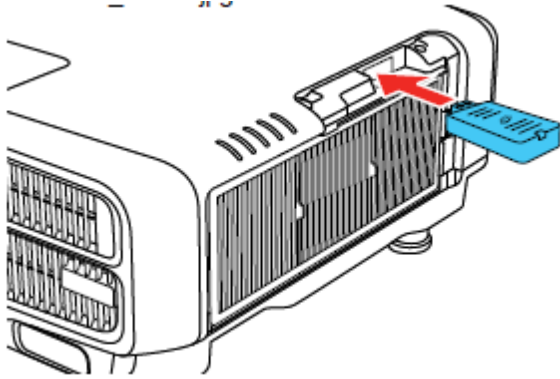
1. Turn off the projector and unplug the power cord.
2. Slide the air filter cover latch and open the air filter cover.



Remove the screw securing the wireless LAN module stopper, then remove the stopper.



Insert the USB Flash Drive into the port



**After inserting the Flash drive, press and hold the projector's Power button for 5 seconds while connecting the power cable to the projector.**

**Four of the projector LED indicators will light up together. The projector fans will accelerate and the LED indicators will start to blink after 1 minute. The process takes about 3 minutes.**

**When the process is finished the projector will automatically shut down to Standby mode.**