



Short-throw Wall Mount (ELPMB27)

FOR EPSON[®] POWERLITE[®] 420, 425W, 430, 435W PROJECTORS



Projector not included.

Affordable classroom mounting solution.

Designed exclusively for use with Epson's PowerLite 420, 425W, 430 and 435W short-throw projectors, this wall mount offers an easy, affordable solution for integration with a variety of interactive or standard dry-erase whiteboards. The wide mounting plate and telescopic extension arm offer convenient and flexible installation, while the vertical and horizontal adjustments provide easy image alignment. And, when your short-throw projector is attached to the wall mount, there is less shadow interference and glare, which ensures a more optimal viewing and presenting experience.

Flexible installation — wall mount plate allows for easy installation using one or two wall studs

Easily adjustable — telescopic extension arm supports a throw distance from 27 to 47 inches

Ideal for virtually any image size — for projecting 16:10 content from 68 to 113 inches (PowerLite 425W, 435W), or 4:3 content from 63 to 106 inches (PowerLite 420, 430)

Easy image alignment — vertical and horizontal shift adjustments, plus pitch, roll and swivel adjustments

Protective covers included — conceals cables for a clean finish



Short-throw Wall Mount

For EPSON® PowerLite® 420, 425W, 430, 435W Projectors

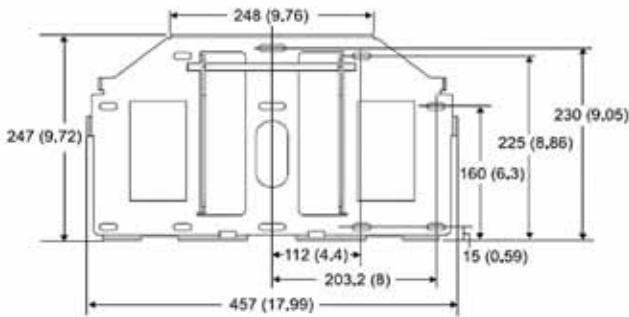
Product Name	Product Code	UPC
Short-throw Wall Mount for PowerLite 420, 425W, 430 and 435W Projectors (ELPMB27)	V12H003Z27	0 10343 88696 4



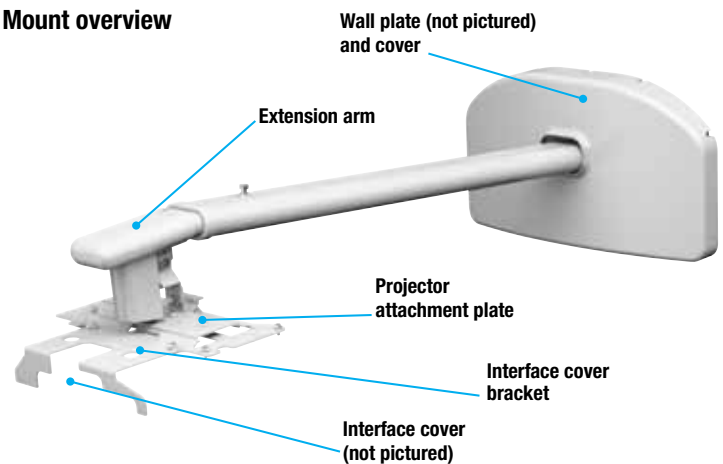
Projector not included.

Adjustment mechanism	Safety	Specifications	Support
Horizontal Tilt ±5 degrees (default 0°) Horizontal Slide Adjustment Range ±45 mm (1.77 inches) Projection Distance Adjustment Width 510 +/-3 mm (20 +/- 0.12 inches) Vertical Slide Adjustment Range Min. 134 mm (5.27 inches) (Arm length min.) Min. 230 mm (9.06 inches) (Arm length max.) Vertical Tilt 95 (-0.5/+0)~106.5 (-0/+0.5) degrees Horizontal Rotation Adjustment Range ±5 degrees (default 0 degrees) Horizontal Roll Adjustment Range ±5 degrees (default 0 degrees) Vertical Tilt Adjustment Range 0 to -11 degrees (default 0 degrees)	Fall Prevention Wire (inside wall plate cover) Yes Weight Resistance 44 lb (20 Kgf) Hang Down Strength 132 lb (60 Kgf)	Package Dimensions (W x D x H) 36.6" x 10.8" x 12.2" Package Weight 30.4 lb Short-throw Wall Mount Weight 22 lb (10 Kgf)	What's In The Box Short-throw Wall Mount, Hardware, Installation Manual, Warranty Statement, Document CD Warranty 2-year limited

Wall plate dimensions, mm (inches)



Mount overview



Better Products for a Better Future™

For more information on Epson's environmental programs, go to eco.epson.com

Epson America, Inc.
3840 Kilroy Airport Way, Long Beach, CA 90806

Epson Canada Limited
185 Renfrew Drive, Markham, Ontario, L3R 6G3

www.epson.com
www.epson.ca