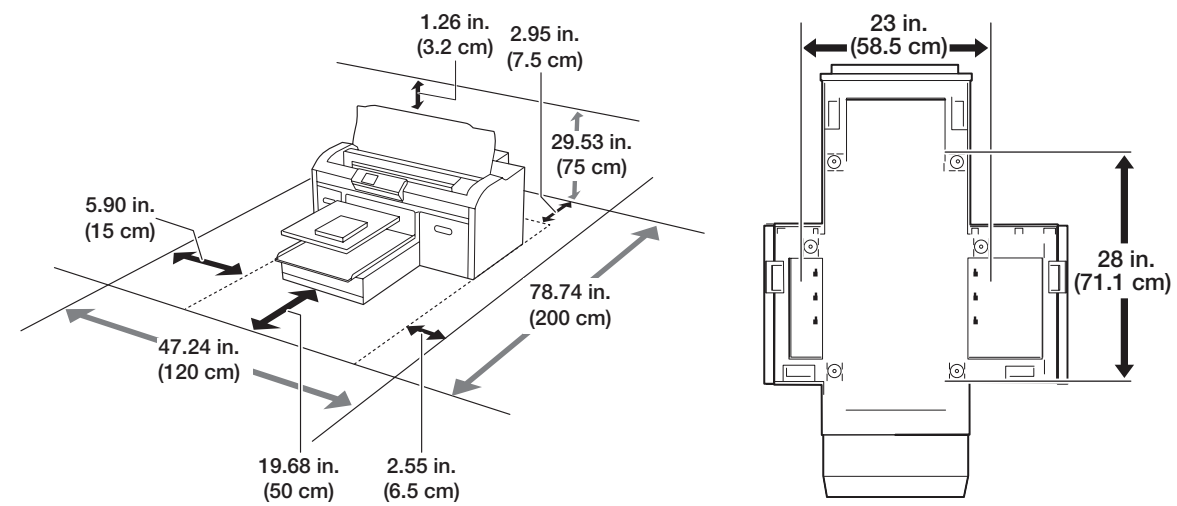


Start Here

Choose a Location for the Printer

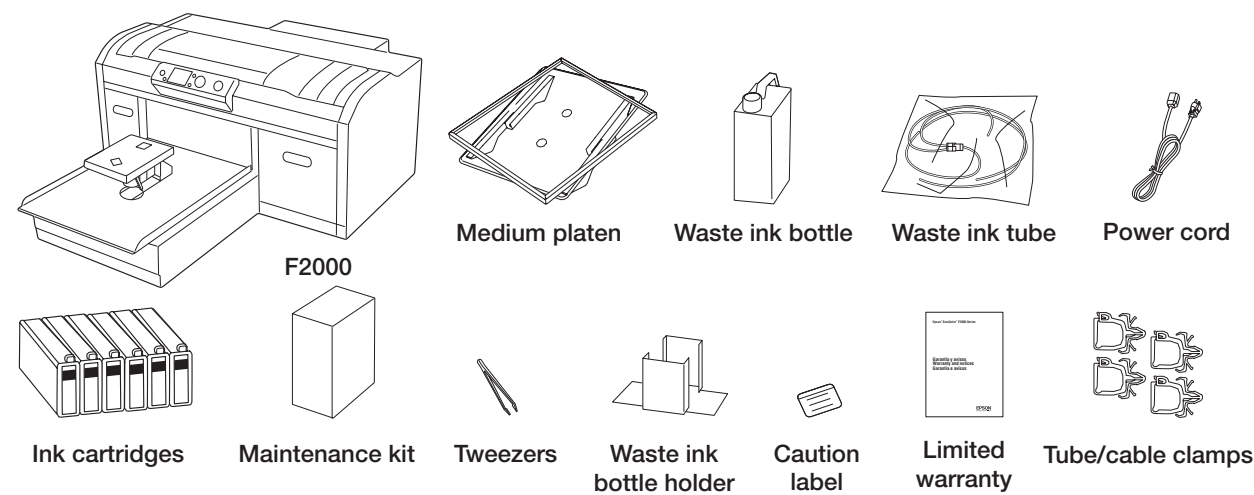
Choose a location for the printer that is near a wall outlet where the plug can be easily unplugged. Avoid places subject to rapid changes in temperature and humidity. Also keep the printer away from direct sunlight, strong light, or heat sources.

Make sure to place the printer on a flat, stable surface with enough space on all sides (see illustrations below). The area supporting the printer should be wider than the space between the rubber feet on the bottom of the printer, at least 2 feet (60 cm) off the ground, and capable of supporting at least 220 pounds (100 kg).



Unpack

1 Make sure you have these items:

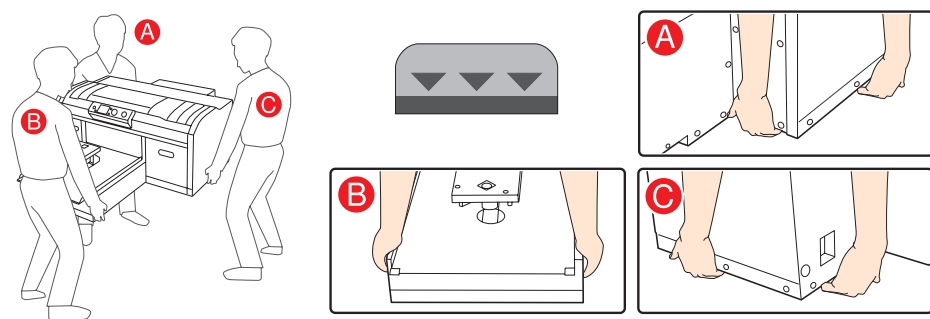


Note:

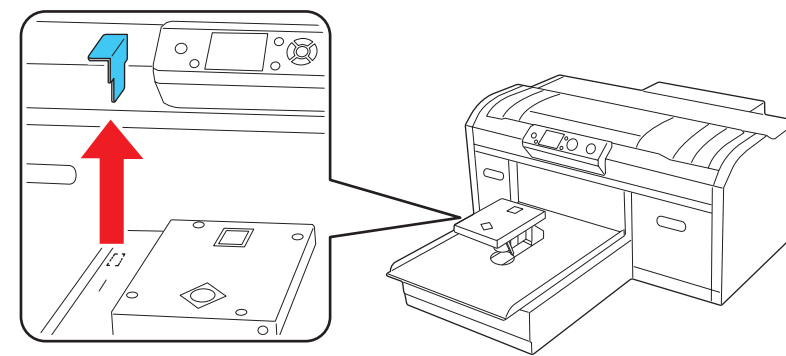
- The White Edition includes two additional cleaning cartridges.
- See the online *User's Guide* for information on using the maintenance kit and tweezers and attaching the two cable clamps.

2 Remove all the packaging materials and tape. Check carefully for all the tape inside and outside the printer and platen.

WARNING: The printer weighs about 180 pounds (82 kilograms) and requires three people to lift and move it. Make sure to grip the printer where indicated by the gray stickers as shown in the illustration. When moving the printer, do not tilt it more than 10 degrees.

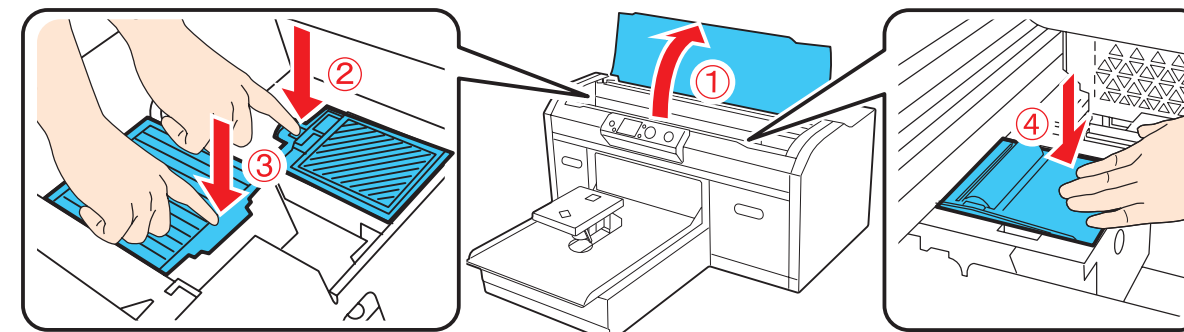


3 Remove the carriage lock and store it in a safe place.



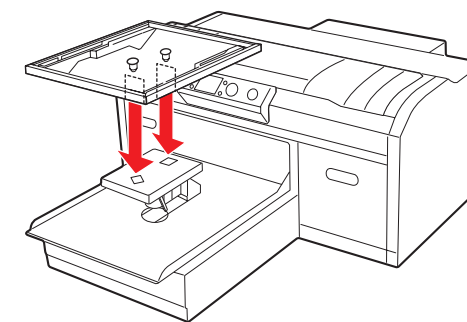
Note: Do not throw the carriage lock away; you will need it if you transport the printer.

4 Open the printer cover and press down on the parts as shown to make sure they are secure. Then close the cover.

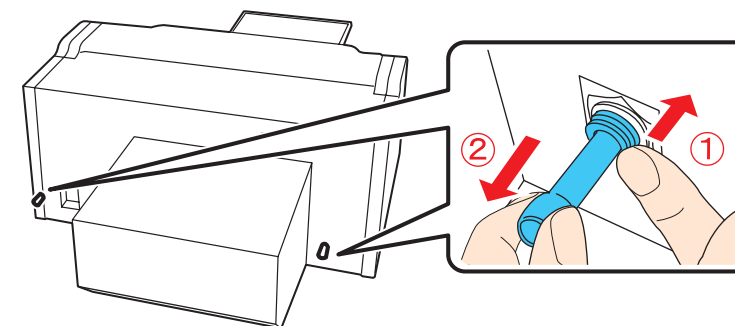


Assemble the Printer

1 Attach the platen as shown.

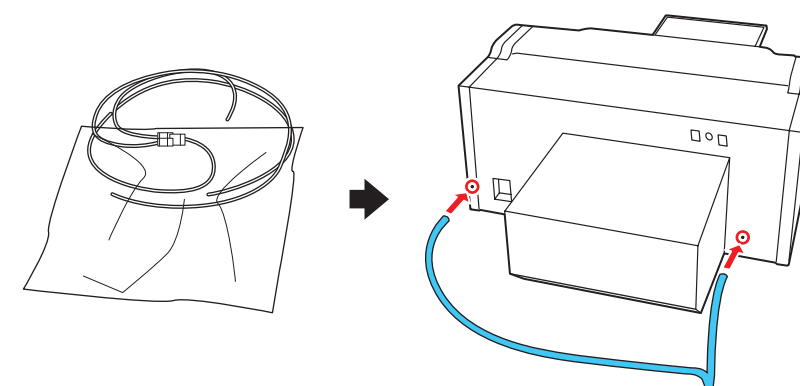


2 Remove the plugs from the waste ink outlets on the back of the printer and store them in a safe place.

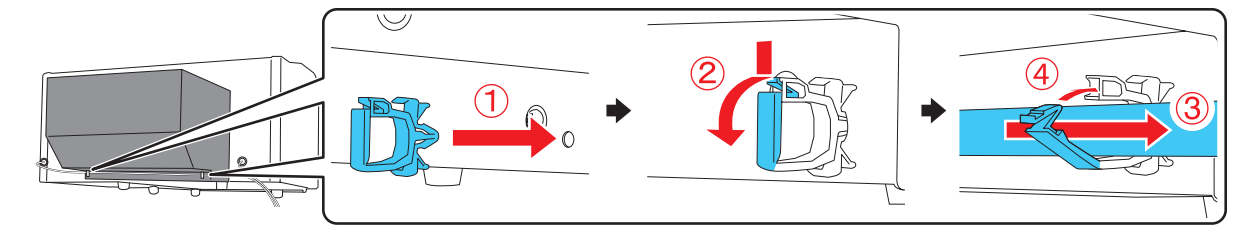


Note: Do not throw the plugs away; you will need them if you transport the printer.

3 Connect the waste ink tube. Make sure that the longer end of the tube is connected to the waste ink outlet on the left side and the shorter end is connected to the waste ink outlet on the right side.

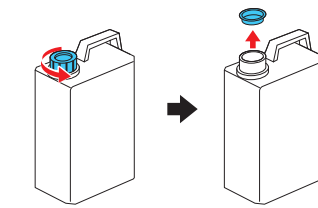


4 Attach the two tube clamps to the left and right sides on the back of the printer and route the waste ink tube through the clamps as shown.

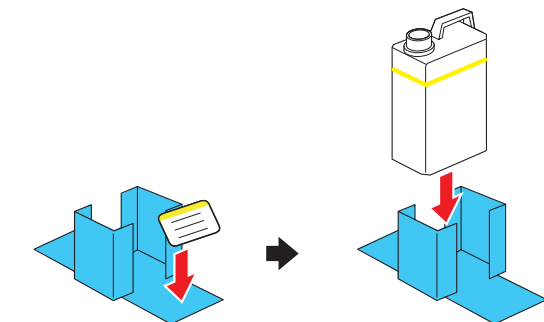


5 Remove the outer and inner caps from the waste ink bottle and store them in a safe place.

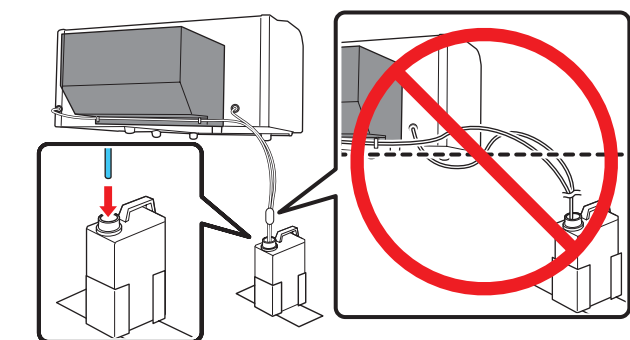
Note: Do not throw the caps away; you will need them when disposing of the waste ink.



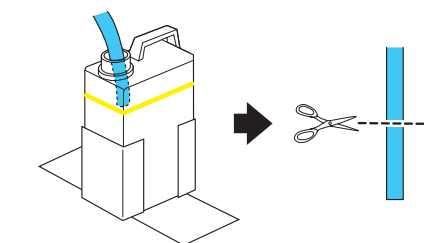
6 Place the caution label for your language over the English label, if necessary. Then, insert the waste ink bottle into the waste ink bottle holder. The bottle and holder should be placed in an area lower than the printer so that the waste ink can flow straight down.



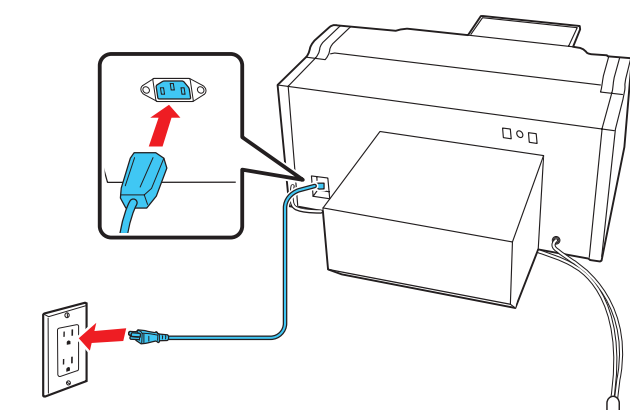
7 Insert the waste ink tube into the waste ink bottle. The tube should curve toward the bottle and straight down as shown.



Make sure that the tube sits above the yellow line indicated on the outside of the bottle. If the tube is too long, cut the end to the appropriate length.



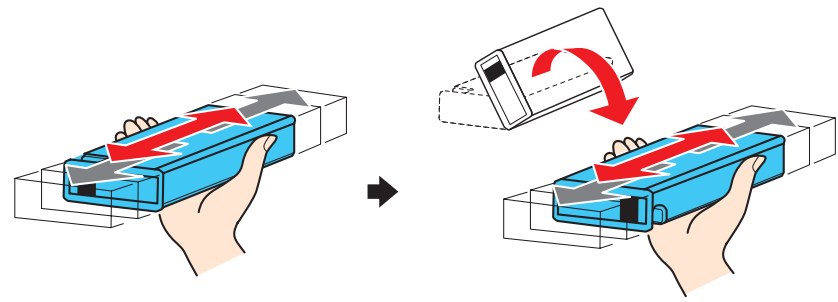
8 Connect the power cord. (Do not connect the printer to your computer yet.)



Install Ink Cartridges

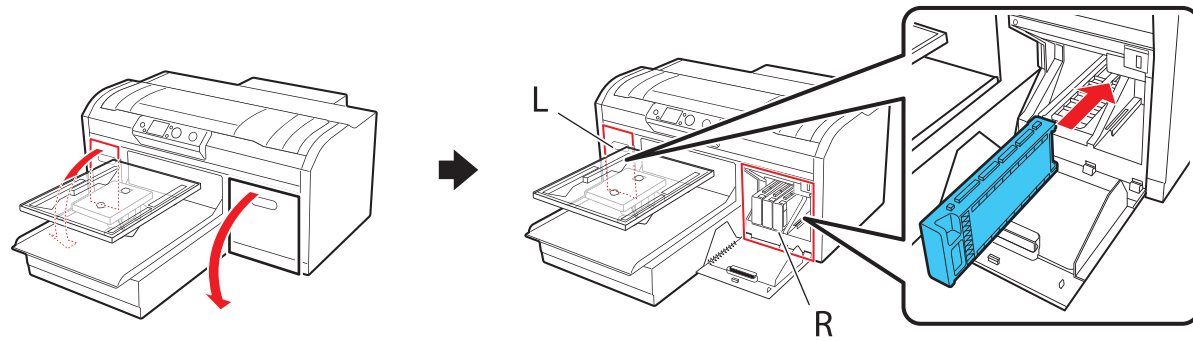
Caution: You cannot change the ink configuration (for example, White Edition to Color Edition or Color Edition to White Edition) after the ink cartridges have been installed.

- 1 Remove the ink cartridges from their packages, and then gently shake each cartridge for about 15 seconds on each side as shown.



- 2 Open the ink covers and install each cartridge into the correct slot for its color.

Caution: Do not touch the green chip on top of the cartridge.



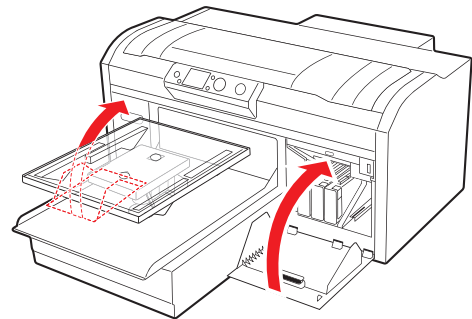
White Edition

Left ink bay			Right ink bay		
Slot 1	Slot 2	Slot 3	Slot 4	Slot 5	Slot 6
WH	WH	Y	M	C	BK

Color Edition

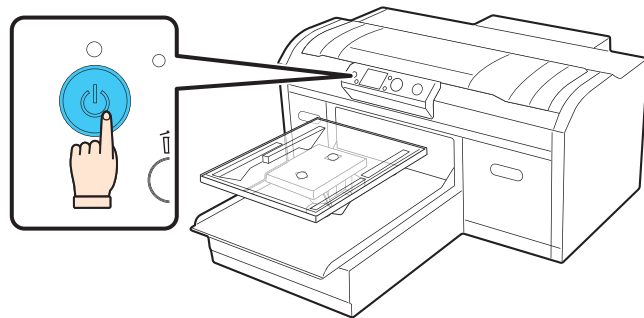
Left ink bay			Right ink bay		
Slot 1	Slot 2	Slot 3	Slot 4	Slot 5	Slot 6
BK	Y	M	M	C	C

- 3 Close the ink covers.



- 4 Press the button.
- 5 Follow the prompts to select **Language**, set **Date & Time**, and select unit of measurement.
- 6 Press the button.
- 7 Press **OK** at each of the confirmation prompts.

The printer starts charging the ink. This takes about 40 minutes. The LCD displays **Standby** when the charging is complete.



Caution: Do not turn off or unplug the printer while the light is flashing. Also, do not open the ink covers during the charging process.

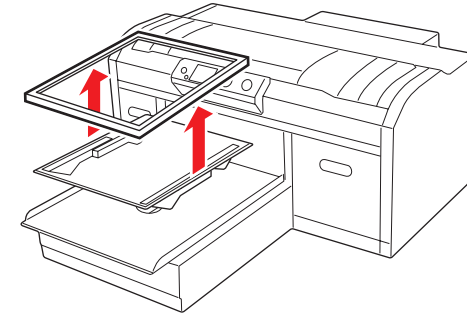
Note: The first time you install ink cartridges, the printer uses some ink to charge the printing system, so print yields may be lower with the first cartridges. Subsequent ink cartridges will last for their full rated life.

Install Software & Drivers

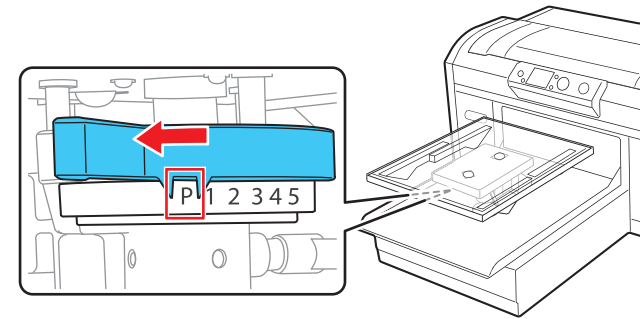
- 1 Go to global.latin.epson.com/F2000 to download the Garment Creator software and Drivers & Utilities Combo Package (website available in Spanish).
- 2 After you install the software, open the LFP Remote Panel and check for a firmware update.

Perform Nozzle Check

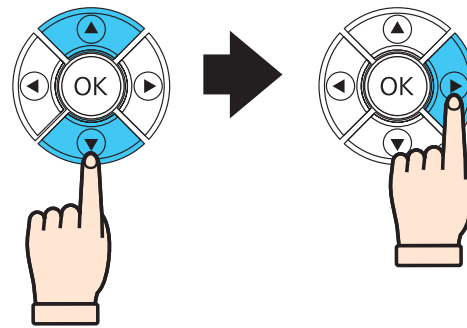
- 1 Remove the platen's frame.



- 2 Make sure the height adjustment lever is at the "P" position.



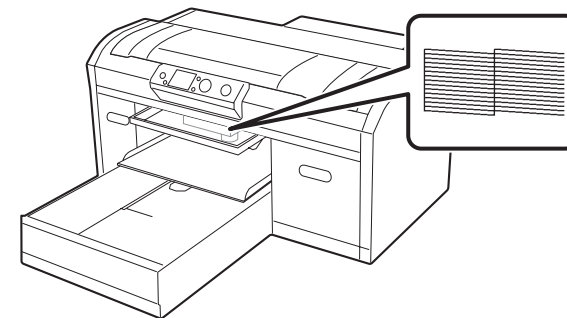
- 3 Press the button on the control panel. The Maintenance menu is displayed.
- 4 Press the buttons to highlight **Nozzle Check**, and then press the button.



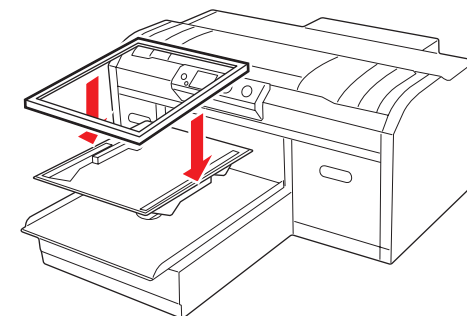
- 5 Press the **OK** button twice.



- 6 The nozzle check pattern is printed directly onto the platen.



- 7 Check the pattern. If there are no gaps, the nozzles are clean. If there are gaps in the pattern, refer to the online *User's Guide* for instructions on cleaning the print head.
- 8 Clean the platen using a cloth dampened with window cleaner or water.
- 9 Replace the platen's frame.



Product Support

Online User's Guide

Instructions for using your printer and maintenance tools (requires an internet connection).

On-screen help with your software

Select **Help** or **F1** when you're using your Garment Creator software.

Epson technical support

Internet support

Visit global.latin.epson.com/Soporte to download drivers, view manuals, get FAQs, or e-mail Epson (website available in Spanish).

You can also speak to a service technician by calling one of these numbers:

Argentina	(54 11) 5167-0300 0800-288-37766	Honduras**	800-0122 Code: 8320
Bolivia*	800-100-116	Mexico	01-800-087-1080
Chile	(56 2) 2484-3400	Mexico City	(52 55) 1323-2052
Colombia	018000-915235	Nicaragua*	00-1-800-226-0368
Bogota	(57 1) 523-5000	Panama*	00-800-052-1376
Costa Rica	800-377-6627	Paraguay	009-800-521-0019
Dominican Republic*	1-888-760-0068	Peru	0800-10126
Ecuador*	1-800-000-044	Lima	(51 1) 418-0210
El Salvador*	800-6570	Uruguay	00040-5210067
Guatemala*	1-800-835-0358	Venezuela	(58 212) 240-1111

*Contact your local phone company to call this toll free number from a mobile phone.
**Dial the first 7 digits, wait for a message, then enter the code.

If your country does not appear on the list, contact your nearest Epson sales office. Toll or long distance charges may apply.

Need Ink?

You can purchase ink from an Epson authorized reseller. To find the nearest reseller, visit global.latin.epson.com.

EPSON and SureColor are registered trademarks and EPSON Exceed Your Vision is a registered logomark of Seiko Epson Corporation.

General Notice: Other product names used herein are for identification purposes only and may be trademarks of their respective owners. Epson disclaims any and all rights in those marks.

This information is subject to change without notice.

© 2014 Epson America, Inc., 10/14

CPD-40804