

ET-7700



English

Quick Guide

This guide includes basic information about your product and troubleshooting tips. See the resources below for additional information.



User's Guide

See the online *User's Guide* for detailed information on using your product, including these features:

- Connect wirelessly from your smartphone, tablet, or computer. Print documents and photos from across the room or around the world with Epson Connect™ and Google Cloud Print™.
- Easily set up networking—Wi-Fi, Wi-Fi Direct®, and Ethernet.
- Copy and scan directly from the control panel.
- Print creative projects on card stock using the rear paper feed slot.
- Print directly onto CDs and DVDs.
- Print photos directly from a memory card, USB flash drive, or external hard drive.



Support

Visit www.epson.com/support/et7700 (U.S.) or www.epson.ca/support/et7700 (Canada) where you can download drivers, view manuals, see FAQs, or e-mail Epson support.



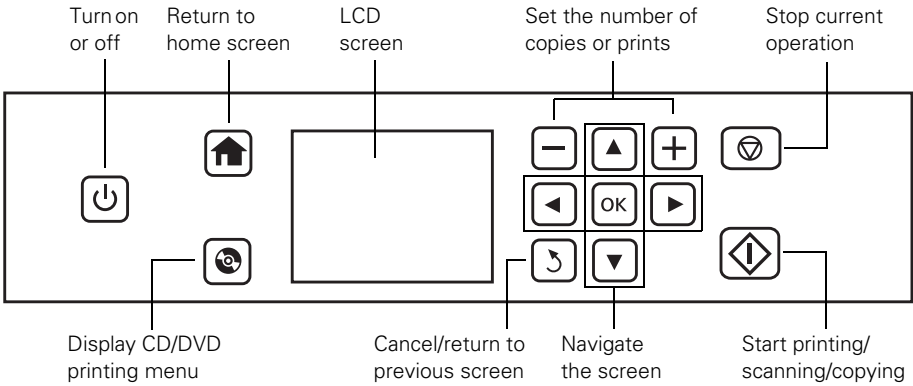
Videos

Visit www.epson.com/support/et7700videos (U.S.) or www.epson.ca/support/et7700videos (Canada) to view a variety of support videos for your product.

EPSON®
EXCEED YOUR VISION

Using the Control Panel

The control panel makes it easy to use all the features of your product. To save energy, the screen turns off after several minutes of inactivity. Press any button to wake it up.



You may see the following icons on the screen:



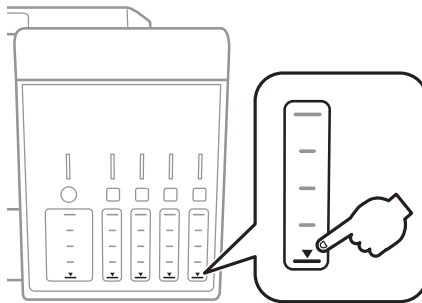
The product is connected to a wireless network.



The product is connected in Wi-Fi Direct mode.

Checking Ink Levels

You can visually check the ink levels in the product's ink tanks. Make sure the ink levels are above the lower ink refill lines on the ink tanks. If ink levels fall below these lines, see the online *User's Guide* for refilling instructions.



Note: You may also see a message displayed on your computer screen when an ink tank is low or needs to be refilled.

Your product has a low ink alert system. The accuracy of this system depends on the user refilling the ink tanks correctly. The product cannot directly measure the ink levels in the tanks, instead it estimates the amount of ink remaining by internally monitoring ink usage. The low ink alert system may generate inaccurate messages if the ink tanks are not refilled according to the instructions in the online *User's Guide*.

Caution: Perform regular visual inspections of the ink tanks to ensure ink levels do not fall below the lower line. Prolonged use of the product when the ink level is below the lower line on the tank could damage the product.

Epson Connect

Epson Connect is a free service that gives your printer an email address. Register your product with Epson Connect to enable the Epson Connect services below. Your printer must be connected to the Internet to use Epson Connect.

Note: Registering your product with Epson Connect is different from registering your product purchase with Epson.

Registering for Epson Connect

To register your printer with Epson Connect, go to www.epsonconnect.com, go to **Setup**, and follow the on-screen instructions.

Epson Connect Services

The available Epson Connect services are:

- **Epson Remote Print™:** When Epson Remote Print is installed on your computer, you can select your product through the **File > Print** command from anywhere in the world. (An Internet connection is required for both your product and computer.)
- **Scan to Cloud:** From the product's control panel, you can scan an original and share the file with preset email addresses and online cloud storage sites such as Dropbox or Evernote®.
- **Epson Email Print:** Send your photos and documents to your printer as attachments wherever you have access to email.

Mobile Printing

Epson® products support a variety of wireless printing solutions. See the online *User's Guide* or www.epson.com/connect (U.S.) or www.epson.ca/connect (Canada) for a complete list.

Note: To print from a mobile device, your product must be set up for wireless printing or Wi-Fi Direct.

Epson iPrint™

You can print from and scan to your mobile device using the Epson iPrint application. Search for the Epson iPrint app on the app store for your Android™ or iOS device, or visit www.epson.com/iprint (U.S.) or www.epson.ca/iprint (Canada) for more information and download instructions.

Epson Creative Print

Use Epson Creative Print to access and print your Facebook photos, create collages with photos from Instagram and your phone, print onto CD/DVDs, create custom greeting cards, and turn photos into coloring book templates. Search for the Epson Creative Print app on the app store for your Android or iOS device.

Solving Network Problems

If you have a network problem with your Epson product, check the messages on the LCD screen to diagnose the cause of most problems.

You can also check the basic troubleshooting suggestions below. For more in-depth troubleshooting, see the online *User's Guide* or FAQs at www.epson.com/support (U.S.) or www.epson.ca/support (Canada).

- Try connecting to the wireless router or access point with your computer or another device to confirm that it is working correctly.
- Try restarting the router (turn it off and then on), then try to connect to it again.
- Verify that the network settings are correct and check the signal strength. If it is poor, try moving the product closer to your router or access point.
- When using TCP/IP, make sure your network's DHCP option is enabled (your router manufacturer will be able to assist you with this setting).
- Print a network status sheet from the product's control panel. Press **⬆**, if necessary, and select **Settings > Network Settings > Network Status > Details > Print Status Sheet**. Then press the **⬆** start button.
- Remove and reinstall your product software.

Transporting Your Product

If you need to transport or ship your product, see the online *User's Guide* for important handling instructions.

Note: Make sure the ink tank caps are closed securely. Avoid tilting the product, placing it vertically, or turning it upside down; otherwise, ink may leak. Do not put opened ink bottles in the box with the printer.

Notices

Printing Guidelines

This printer is not intended for dedicated borderless printing. Parts necessary for borderless printing have a limited service life. Excessive borderless printing may impact your ability to use other printer functions.

Declaration of Conformity

According to 47CFR, Part 2 and 15 for: Class B Personal Computers and Peripherals; and/or CPU Boards and Power Supplies used with Class B Personal Computers:

We: Epson America, Inc.
Located at: 3840 Kilroy Airport Way, MS 3-13, Long Beach, CA 90806
Telephone: (562) 981-3840

Declare under sole responsibility that the product identified herein, complies with 47CFR Part 2 and 15 of the FCC rules as a Class B digital device. Each product marketed is identical to the representative unit tested and found to be compliant with the standards. Records maintained continue to reflect the equipment being produced can be expected to be within the variation accepted, due to quantity production and testing on a statistical basis as required by 47CFR §2.909. Operation is subject to the following two conditions: (1) this device may not cause harmful interference, and (2) this device must accept any interference received, including interference that may cause undesired operation.

Trade Name: Epson
Type of Product: Multifunction printer
Model: C495A
Marketing Name: ET-7700

Epson America, Inc. Limited Warranty

What Is Covered: Epson America, Inc. ("Epson") warrants to the original retail purchaser that the Epson printer covered by this limited warranty statement, if purchased and operated only in the United States, Canada, or Puerto Rico, will be free from defects in workmanship and materials for a period of one (1) year or 50,000 plain paper sheets (or equivalent) from the date of original purchase, whichever happens first. With product registration (www.epson.com [U.S.] or www.epson.ca [Canada]) this coverage will be extended to two (2) years or 50,000 plain paper sheets (or equivalent) from the date of original purchase, whichever happens first. Note that a duplex print counts as two (2) sheets. For warranty service, you must provide proof of the date of original purchase.

What Epson Will Do To Correct Problems: Should your Epson printer prove defective during the warranty period, please call the Epson ConnectionSM at (562) 276-4382 (U.S.) or (905) 709-3839 (Canada) for warranty repair instructions and return authorization. An Epson service technician will provide telephone diagnostic service to determine whether the printer requires service. If service is needed, Epson will, at its option, exchange or repair the printer without charge for parts or labor. If Epson authorizes an exchange for the defective unit, Epson will ship a replacement printer to you, freight prepaid, so long as you use an address in the United States, Canada, or Puerto Rico. You are responsible for securely packaging the defective unit and returning it to Epson within five (5) working days of receipt of the replacement. Epson requires a debit or a credit card number to secure the cost of the replacement printer in the event that you fail to return the defective one. If Epson authorizes repair instead of exchange, Epson will direct you to send your printer to Epson or its authorized service center, where the printer will be repaired and sent back to you. You are responsible for packing the printer and for all costs to and from the Epson authorized service center. When warranty service involves the exchange of the printer or a part, the item replaced becomes Epson property. The replacement printer or part may be new or refurbished to the Epson standard of quality, and, at Epson's option, may be another model of like kind and quality. Exchange products and parts assume the remaining warranty period of your original product covered by this limited warranty.

What This Warranty Does Not Cover:

1. This warranty covers only normal use in the United States, Canada, or Puerto Rico.
2. Excessive, continuous, or commercial use is not considered normal use; damage, maintenance or service from such use will not be covered under this warranty.
3. The parts necessary for borderless printing have a limited life. This warranty does not extend beyond the limited life of these parts.
4. This warranty is not transferable.
5. This warranty does not cover any color change or fading of prints or reimbursement of materials or services required for reprinting.
6. This warranty does not cover damage to the Epson product caused by parts or supplies not distributed by Epson.
7. This warranty does not cover ink bottles, ink supply units, or ink packs.
8. This warranty does not cover damage to the unit caused by incorrectly loading ink into the product or loading the incorrect color/black ink or ink type into the product.
9. This warranty does not cover damage to the unit or other property by incorrect handling of the ink bottles.
10. This warranty does not cover third party parts, components, or peripheral devices added to the Epson product after its shipment from Epson, e.g., dealer or user-added boards or components.
11. Epson is not responsible for warranty service should the Epson label or logo or the rating label or serial number be removed or should the product fail to be properly maintained or fail to function properly as a result of misuse, abuse, improper installation, neglect, improper shipping, damage caused by disasters such as fire, flood, and lightning, improper electrical current, software problems, interaction with non-Epson products, or service other than by an Epson Authorized Servicer.
12. If a claimed defect cannot be identified or reproduced, you will be held responsible for the costs incurred.

DISCLAIMER OF OTHER WARRANTIES: THE WARRANTY AND REMEDY PROVIDED ABOVE ARE EXCLUSIVE AND IN LIEU OF ALL OTHER EXPRESS OR IMPLIED WARRANTIES INCLUDING, BUT NOT LIMITED TO, THE IMPLIED WARRANTIES OF MERCHANTABILITY, NONINFRINGEMENT OR FITNESS FOR A PARTICULAR PURPOSE. SOME LAWS DO NOT ALLOW THE EXCLUSION OF IMPLIED WARRANTIES. IF THESE LAWS APPLY, THEN ALL EXPRESS AND IMPLIED WARRANTIES ARE LIMITED TO THE WARRANTY PERIOD IDENTIFIED ABOVE. UNLESS STATED HEREIN, ANY STATEMENTS OR REPRESENTATIONS MADE BY ANY OTHER PERSON OR FIRM ARE VOID.

EXCLUSION OF DAMAGES; EPSON'S MAXIMUM LIABILITY: IN NO EVENT SHALL EPSON OR ITS AFFILIATES BE LIABLE FOR ANY SPECIAL, INCIDENTAL, OR CONSEQUENTIAL DAMAGES OR ANY LOST PROFITS RESULTING FROM THE USE OR INABILITY TO USE THE EPSON PRODUCT, WHETHER RESULTING FROM BREACH OF WARRANTY OR ANY OTHER LEGAL THEORY. IN NO EVENT SHALL EPSON OR ITS AFFILIATES BE LIABLE FOR DAMAGES OF ANY KIND IN EXCESS OF THE ORIGINAL RETAIL PURCHASE PRICE OF THE PRODUCT.

Arbitration, Governing Laws: Any dispute, claim or controversy arising out of or relating to this warranty shall be determined by arbitration in Los Angeles County, California before a single arbitrator. The arbitration shall be administered by JAMS pursuant to its Comprehensive Arbitration Rules and Procedures. Judgment on the award may be entered in any court having jurisdiction. Any action must be brought within three months of the expiration of the warranty. This clause shall not preclude parties from seeking provisional remedies in aid of arbitration from a court of appropriate jurisdiction. This warranty shall be construed in accordance with the laws of the State of California, except this arbitration clause which shall be construed in accordance with the Federal Arbitration Act.

Other Rights You May Have: This warranty gives you specific legal rights, and you may also have other rights which vary from jurisdiction to jurisdiction. Some jurisdictions do not allow limitations on how long an implied warranty lasts, or allow the exclusion or limitation of incidental or consequential damages, so the above limitations or exclusions may not apply to you.

In Canada, warranties include both warranties and conditions.

To find the Epson Authorized Reseller nearest you, visit www.epson.com (U.S.) or www.epson.ca (Canada). To find the Epson Customer Care Center nearest you, visit www.epson.com/support (U.S.) or www.epson.ca/support (Canada). You can also write to: Epson America, Inc., P.O. Box 93012, Long Beach, CA 90809-3012.

Copyright Notice

All rights reserved. No part of this publication may be reproduced, stored in a retrieval system, or transmitted in any form or by any means, electronic, mechanical, photocopying, recording, or otherwise, without the prior written permission of Seiko Epson Corporation. The information contained herein is designed only for use with this Epson product. Epson is not responsible for any use of this information as applied to other equipment.

Neither Seiko Epson Corporation nor its affiliates shall be liable to the purchaser of this product or third parties for damages, losses, costs, or expenses incurred by purchaser or third parties as a result of: accident, misuse, or abuse of this product or unauthorized modifications, repairs, or alterations to this product, or (excluding the U.S.) failure to strictly comply with Seiko Epson Corporation's operating and maintenance instructions.

Seiko Epson Corporation shall not be liable for any damages or problems arising from the use of any options or any consumable products other than those designated as Original Epson Products or Epson Approved Products by Seiko Epson Corporation.

Responsible Use of Copyrighted Materials

Epson encourages each user to be responsible and respectful of the copyright laws when using any Epson product. While some countries' laws permit limited copying or reuse of copyrighted material in certain circumstances, those circumstances may not be as broad as some people assume. Contact your legal advisor for any questions regarding copyright law.

Trademarks

EPSON is a registered trademark, Epson Connect, Epson iPrint, and Remote Print are trademarks, and EPSON Exceed Your Vision is a registered logomark of Seiko Epson Corporation.

Epson Connection is a service mark of Epson America, Inc.

Wi-Fi Direct[®] is a registered trademark of Wi-Fi Alliance[®].

Google Cloud Print and Android are trademarks of Google Inc.

Evernote is a registered trademark of Evernote Corporation.

General Notice: Other product names used herein are for identification purposes only and may be trademarks of their respective owners. Epson disclaims any and all rights in those marks.

This information is subject to change without notice.

© 2017 Epson America, Inc., 6/17

ET-7700



Français

Guide rapide

Ce guide inclut des informations de base à propos de votre produit et des conseils de dépannage. Consultez les ressources ci-dessous pour obtenir des informations additionnelles.



Guide de l'utilisateur

Consultez le *Guide de l'utilisateur* en ligne pour obtenir des informations détaillées concernant l'utilisation de votre produit, incluant ces fonctionnalités :

- Connectez-vous sans fil à partir de votre téléphone intelligent, votre tablette ou votre ordinateur. Imprimez vos documents et vos photos, que vous soyez à l'autre bout de la pièce ou à l'autre bout du monde avec Epson Connect^{MC} et Google Cloud Print^{MC}.
- Configurez avec facilité votre produit sur le réseau (Wi-Fi, Wi-Fi Direct[®] et Ethernet).
- Copiez et numérisez directement à partir du panneau de commande.
- Imprimez des projets créatifs sur du papier cartonné en utilisant la fente d'alimentation de papier arrière.
- Imprimez directement sur des CD et DVD.
- Imprimez des photos directement à partir d'une carte mémoire, d'une clé USB ou d'un disque dur externe.



Soutien

Visitez le site Web www.epson.ca/soutien/et7700 pour télécharger des pilotes, consulter des manuels et des FAQ ou envoyer un courriel à Epson.



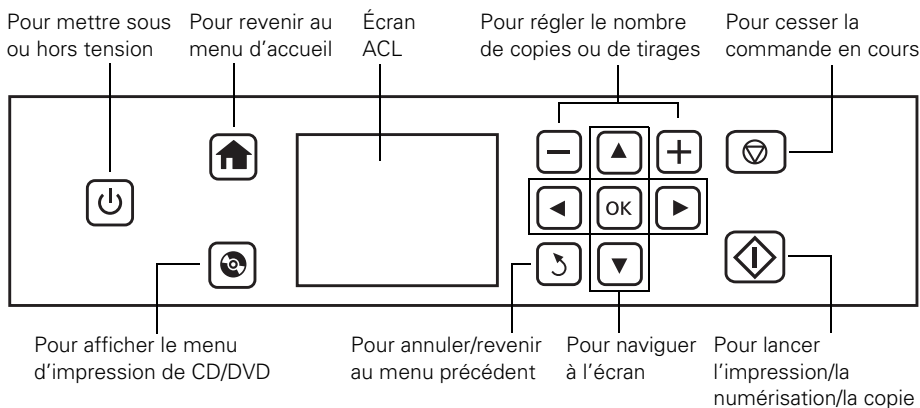
Vidéos

Visitez le site Web www.epson.ca/support/et7700videos afin de visionner plusieurs vidéos de soutien pour votre produit (vidéos présentées en anglais seulement).

EPSON[®]
EXCEED YOUR VISION

Utilisation du panneau de commande

Le panneau de commande simplifie l'utilisation des nombreuses fonctionnalités de votre produit. Afin de réduire la consommation d'énergie, l'écran s'éteint après plusieurs minutes d'inactivité. Appuyez sur n'importe quel bouton afin d'activer l'écran.



Il est possible que les icônes suivantes s'affichent à l'écran :



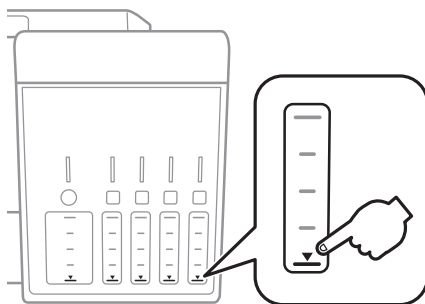
Le produit est connecté à un réseau sans fil.



Le produit est connecté à un réseau sans fil en mode Wi-Fi Direct.

Vérification des niveaux d'encre

Vous pouvez vérifier visuellement les niveaux d'encre des réservoirs d'encre du produit. Assurez-vous que les niveaux d'encre sont au-dessus des lignes inférieures sur les réservoirs d'encre. Si les niveaux d'encre sont sous ces lignes, consultez le *Guide de l'utilisateur* en ligne pour obtenir les instructions concernant le remplissage.



Remarque : Il est possible qu'un message s'affiche à l'écran de votre ordinateur lorsque le niveau d'encre d'un réservoir est faible ou qu'un remplissage est nécessaire. Votre produit possède un système d'alerte de niveau d'encre faible. La fiabilité de ce système est sujette au bon remplissage des réservoirs d'encre par l'utilisateur. Le produit ne peut pas mesurer directement les niveaux d'encre des réservoirs; il estime plutôt la quantité d'encre restante en surveillant l'usage de l'encre à l'interne. Il est possible que le système d'alerte de niveau d'encre faible affiche des messages inexacts si les réservoirs d'encre ne sont pas remplis selon les instructions du *Guide de l'utilisateur* en ligne.

Mise en garde : Inspectez régulièrement les réservoirs d'encre afin de vous assurer que les niveaux d'encre ne sont pas sous la ligne inférieure. Vous pourriez endommager votre produit s'il est utilisé durant des périodes prolongées alors que le niveau d'encre est sous la ligne inférieure.

Epson Connect

Epson Connect est un service gratuit qui attribue un compte de courriel à votre imprimante. Enregistrez votre produit avec Epson Connect afin d'activer les services suivants. Votre imprimante doit être connectée à Internet pour utiliser Epson Connect.

Remarque : L'enregistrement de votre produit avec Epson Connect est une procédure différente de l'enregistrement de votre produit avec Epson.

Enregistrement pour Epson Connect

Pour enregistrer votre imprimante avec Epson Connect, visitez le site Web www.epsonconnect.com, accédez à **Configuration** et suivez les instructions à l'écran.

Services Epson Connect

Les services Epson Connect suivants sont disponibles :

- **Epson Remote Print^{MC}** : Lorsqu'Epson Remote Print est installé sur l'ordinateur, vous pouvez sélectionner votre produit en choisissant **Fichier > Imprimer** où que vous soyez dans le monde. (Une connexion à Internet est requise pour votre produit et l'ordinateur.)
- **Numériser vers un nuage** : À partir du panneau de commande de votre produit, vous pouvez numériser un original et partager le fichier avec des adresses courriel présélectionnées et des sites de stockage en nuage, tels que Dropbox ou Evernote®.
- **Epson Email Print** : Permet d'envoyer vos photos et vos documents à votre imprimante comme pièces jointes lorsque vous avez accès à votre adresse courriel.

Impression mobile

Les produits Epson® prennent en charge une vaste gamme de solutions d'impression sans fil. Consultez le *Guide de l'utilisateur* en ligne ou www.epson.ca/connect pour obtenir une liste complète.

Remarque : Pour imprimer à partir d'un appareil mobile, votre produit doit être configuré pour l'impression sans fil ou avec le mode Wi-Fi Direct.

Epson iPrint^{MC}

Vous pouvez imprimer depuis et numériser vers votre appareil mobile en utilisant l'application Epson iPrint. Cherchez l'application Epson iPrint dans la boutique d'applications pour votre appareil Android^{MC} ou iOS, ou visitez le site Web www.epson.ca/iprint pour obtenir plus d'informations et les instructions de téléchargement.

Epson Creative Print



Utilisez Epson Creative Print pour accéder aux photos de votre compte Facebook et les imprimer, créer des collages avec les photos de votre téléphone ou de votre compte Instagram, imprimer sur des CD/DVD, créer des cartes de vœux personnalisées et des modèles de livres à colorier avec vos photos. Cherchez l'application Epson Creative Print dans la boutique d'applications pour votre appareil Android ou iOS.

Résolution des problèmes de réseau

En cas de problème de réseau avec votre produit Epson, vérifiez les messages à l'écran ACL pour déterminer la cause de la plupart des problèmes qui peuvent survenir.

Vous pouvez aussi consulter les suggestions de dépannage de base ci-dessous. Pour obtenir des informations de dépannage plus détaillées, consultez le *Guide de l'utilisateur* en ligne ou la FAQ à l'adresse www.epson.ca/soutien.

- Tentez de connecter votre ordinateur ou un autre appareil à votre routeur ou point d'accès sans fil pour confirmer qu'il fonctionne correctement.
- Redémarrez votre routeur (éteignez-le et rallumez-le), puis essayez de vous reconnecter au routeur.
- Vérifiez que les paramètres réseau sont corrects et vérifiez la puissance du signal. S'il est faible, déplacez le produit pour le rapprocher du routeur ou du point d'accès.
- Lorsque vous utilisez TCP/IP, assurez-vous que l'option DHCP du réseau est activée (le fabricant de votre routeur pourra vous aider à cet égard).

- Imprimez une feuille d'état du réseau à partir du panneau de commande du produit. Appuyez sur , au besoin, et sélectionnez Paramètres > Paramètres réseau > État du réseau > Détails > Impression feuille d'état. Puis, appuyez sur le bouton  de démarrage.
- Désinstallez et réinstallez les logiciels de votre produit.

Transport de votre produit

Si vous devez transporter ou expédier votre produit, consultez le *Guide de l'utilisateur* en ligne pour obtenir d'importantes instructions concernant la manutention du produit.

Remarque : Assurez-vous que les bouchons des réservoirs d'encre sont bien fermés. Évitez d'incliner le produit, de le placer à la verticale ou de le tourner à l'envers; sinon l'encre pourrait fuir. Ne placez pas de bouteilles d'encre ouvertes dans la boîte avec l'imprimante.

Avis

Directives d'impression

Cette imprimante n'est pas conçue pour l'impression sans marge à grand volume. Les pièces nécessaires à l'impression sans marge ont une durée de vie limitée. L'impression excessive de tirages sans marge pourrait affecter votre capacité à utiliser d'autres fonctions de l'imprimante.

Déclaration de conformité

Selon la norme 47CFR, parties 2 et 15, régissant les ordinateurs personnels et périphériques de classe B, et/ou les unités centrales et les dispositifs d'alimentation électrique utilisés avec les ordinateurs personnels de classe B :

Nous : Epson America, Inc.
Situés à : 3840 Kilroy Airport Way, MS 3-13, Long Beach, CA 90806, USA
Téléphone : 562 981-3840

Déclarons sous notre seule et unique responsabilité que le produit identifié dans la présente est conforme à la norme 47CFR, parties 2 et 15, des règles FCC régissant les dispositifs numériques de classe B. Chaque produit commercialisé est identique à l'appareil représentatif testé et jugé conforme aux normes. Les dossiers indiquent que l'équipement produit se situe dans les limites acceptables, du fait de la production en quantité et des essais statistiques réalisés, conformément au règlement 47CFR, alinéa 2.909. L'utilisation est soumise aux deux conditions suivantes : (1) cet appareil ne doit pas provoquer d'interférences néfastes, et 2) cet appareil doit tolérer les interférences reçues, y compris celles qui risquent de provoquer un fonctionnement indésirable.

Nom commercial : Epson
Type de produit : Imprimante multifonction
Modèle : C495A
Nom de marketing : ET-7700

Garantie limitée d'Epson America, Inc.

Éléments couverts par la garantie : Epson America, Inc. (« Epson ») garantit à l'acheteur d'origine au détail que l'imprimante Epson couverte par la présente garantie limitée, si elle est achetée et utilisée au Canada, aux États-Unis et à Puerto Rico, sera exempte de tout défaut de fabrication et de vice matériel durant une période d'un (1) an ou 50 000 feuilles de papier ordinaire (ou l'équivalent) à compter de la date d'achat d'origine, le premier des deux prévalant. Avec l'enregistrement du produit (www.epson.ca), cette couverture sera prolongée à deux (2) ans ou 50 000 feuilles de papier ordinaire (ou l'équivalent) à compter de la date d'achat d'origine, le premier des deux prévalant. Veuillez noter qu'un tirage recto verso compte pour deux (2) feuilles. Pour toute intervention au titre de la garantie, vous devez fournir la preuve de la date d'achat d'origine.

Ce que fera Epson pour remédier aux problèmes : Si, durant la période de garantie, l'imprimante Epson s'avère défectueuse, veuillez communiquer avec Epson Connection^{MS} au 905 709-3839 (Canada) ou 562 276-4382 (É.-U.) pour obtenir des instructions concernant les réparations sous garantie et une autorisation de retour de la marchandise. Un technicien Epson réalisera un diagnostic téléphonique pour déterminer si le produit a besoin d'être réparé. Si l'imprimante a besoin d'être réparée, Epson peut, selon son choix, la remplacer ou la réparer, sans frais de pièces ni de main-d'œuvre. Si Epson autorise le remplacement du produit défectueux, on vous enverra un produit de remplacement, en port payé si vous avez une adresse au Canada, aux États-Unis ou à Puerto Rico. Il vous incombe d'emballer correctement l'appareil défectueux et de le retourner à Epson dans un délai de cinq jours ouvrables après avoir reçu l'unité de remplacement. Epson vous demandera un numéro de carte de crédit ou de débit pour couvrir le coût du produit de remplacement au cas où vous ne retourneriez pas le produit défectueux. Pour une réparation du produit, Epson vous demandera de lui envoyer ce dernier directement ou à son centre de service autorisé qui réparera le produit et vous le renverra. Vous avez la responsabilité d'emballer le produit et devez défrayer les coûts d'expédition vers et depuis le centre de service autorisé Epson. Lorsqu'une intervention au titre de la garantie nécessite l'échange du produit ou d'une pièce, l'élément remplacé devient propriété d'Epson. Le produit ou la pièce de remplacement pourra être neuf ou remis à neuf selon les normes de qualité d'Epson et, au choix d'Epson, pourra être un autre modèle de même type et qualité. Les produits et pièces remplacés sont couverts pour la période de garantie restante du produit d'origine couvert par la présente garantie limitée.

Éléments non couverts par la garantie :

1. Cette garantie ne s'applique qu'au Canada, aux États-Unis et à Puerto Rico dans le contexte d'une utilisation normale.
2. L'utilisation excessive, continue ou commerciale de ce produit n'est pas considérée comme une utilisation normale; tout dommage, entretien ou besoin de réparations découlant d'une telle utilisation n'est pas couvert par la présente garantie.
3. Les pièces nécessaires à l'impression sans marge ont une durée de vie limitée. La durée de la garantie ne peut pas dépasser la durée de vie limitée de ces pièces.
4. Cette garantie n'est pas transférable.
5. Cette garantie ne couvre pas la décoloration, le jaunissement des tirages ni le remboursement des matériaux ou services nécessaires pour les travaux de réimpression.
6. Cette garantie ne s'applique pas aux dommages subis par le produit Epson du fait de l'utilisation de pièces ou fournitures qui ne sont pas fabriquées, distribuées ni homologuées par Epson.
7. Cette garantie ne couvre pas les bouteilles d'encre, les unités d'alimentation d'encre ou les sacs d'encre.

8. Cette garantie ne couvre pas les dommages causés à l'unité s'ils sont provoqués par le chargement incorrect de l'encre dans le produit, ou le chargement d'une encre noire/couleur ou d'un type d'encre incorrect dans le produit.
9. Cette garantie ne couvre pas les dommages à l'unité ou tout autre bien s'ils sont causés par une mauvaise manipulation des bouteilles d'encre.
10. Sont notamment exclus de la garantie : pièces, composants ou périphériques fabriqués par des tiers et ajoutés au produit Epson après son expédition par Epson, par exemple des cartes ou composants ajoutés par l'utilisateur ou le revendeur.
11. Epson ne sera pas tenue d'effectuer d'interventions au titre de la garantie lorsque l'étiquette ou le logo Epson, le numéro de série ou la plaque signalétique ont été enlevés du produit; si le produit n'est pas correctement entretenu ou ne fonctionne pas correctement du fait d'une utilisation inadéquate ou abusive, d'une installation incorrecte, d'une négligence, d'avaries lors du transport, de dommages causés par des désastres tels un incendie, une inondation ou la foudre, d'une surtension électrique, de problèmes de logiciel, d'une interaction avec des produits d'une autre marque qu'Epson ou d'une intervention effectuée par un tiers autre qu'un réparateur Epson agréé.
12. Si une anomalie signalée ne peut être décelée ni reproduite, les frais engagés seront à votre charge.

STIPULATION D'EXONÉRATION DES AUTRES GARANTIES : CE QUI PRÉCÈDE CONSTITUE LA SEULE GARANTIE ET EXCLUT TOUTE AUTRE GARANTIE, EXPRESSE OU IMPLICITE, Y COMPRIS, MAIS SANS S'Y LIMITER, TOUTE GARANTIE IMPLICITE DE QUALITÉ MARCHANDE, D'ABSENCE DE CONTREFAÇON OU D'APTITUDE À UNE FIN PARTICULIÈRE. CERTAINES LOIS NE PERMETTENT PAS L'EXCLUSION DE GARANTIES IMPLICITES. LE CAS ÉCHÉANT, L'EFFET DE TOUTES LES GARANTIES EXPRESSES ET IMPLICITES SE LIMITE À LA PÉRIODE DE GARANTIE MENTIONNÉE PRÉCÉDEMMENT. SAUF DISPOSITIONS CONTRAIRES, TOUTE DÉCLARATION OU GARANTIE FAITES PAR UNE AUTRE PERSONNE OU SOCIÉTÉ EST NULLE.

EXCLUSION DES DOMMAGES; RESPONSABILITÉ MAXIMALE D'EPSON : NI EPSON NI LES MEMBRES DE SON GROUPE NE POURRONT ÊTRE TENUS RESPONSABLES EN CAS DE DOMMAGES SPÉCIAUX, ACCIDENTELS OU INDIRECTS ET EN CAS DE PERTES DE PROFIT, DÉCOULANT DE L'UTILISATION OU DE L'IMPOSSIBILITÉ D'UTILISATION DU PRODUIT EPSON, QUE CE SOIT À LA SUITE DU NON-RESPECT DE LA GARANTIE OU D'UNE AUTRE THÉORIE JURIDIQUE. EN AUCUN CAS EPSON OU LES MEMBRES DE SON GROUPE NE PEUVENT ÊTRE TENUS RESPONSABLES DES DOMMAGES DE QUELQUE TYPE QUE CE SOIT QUI EXCÈDENT LE PRIX D'ACHAT AU DÉTAIL ORIGINAL DU PRODUIT.

Arbitrage, lois applicables : Les différends, réclamations ou controverses en lien avec la présente garantie seront réglés par arbitrage à Los Angeles, en Californie, devant un seul arbitre. L'arbitrage sera administré par JAMS conformément à ses règles et procédures en matière d'arbitrage. La décision rendue pourra faire l'objet d'un jugement par tout tribunal compétent. Toutes les actions doivent être intentées dans les trois mois à compter de la date d'expiration de la garantie. La présente clause n'interdit pas aux parties de chercher d'autres mesures provisoires pouvant s'appliquer dans le cadre de l'arbitrage auprès d'un tribunal compétent. La présente garantie s'interprète conformément aux lois de l'État de la Californie, à l'exception de cette clause d'arbitrage, qui sera interprétée conformément au Federal Arbitration Act.

Autres droits que vous pourriez avoir : La présente garantie vous confère des droits précis, et vous pourriez avoir d'autres droits selon le territoire de compétence. Certains pays n'autorisent pas les limitations quant à la durée d'une garantie implicite ni les exclusions ou limitations des dommages

exemplaires ou indirects; les limitations ou exclusions indiquées précédemment pourraient ainsi ne pas être applicables.

Au Canada, les garanties englobent les garanties et les conditions.

Pour obtenir les coordonnées du revendeur Epson le plus près de vous, visitez notre site Web à l'adresse www.epson.ca. Pour obtenir les coordonnées du centre de service après-vente Epson le plus près de votre domicile, visitez notre site Web à l'adresse www.epson.ca/soutien. Ou encore, écrivez-nous à l'adresse : Epson America, Inc., P.O. Box 93012, Long Beach, CA 90809-3012.

Avis sur les droits d'auteur

Tous droits réservés. Il est interdit de reproduire, de conserver dans un système central ou de transmettre le contenu de cette publication sous quelque forme et par quelque moyen que ce soit — reproduction électronique ou mécanique, photocopie, enregistrement ou autre — sans la permission écrite préalable de Seiko Epson Corporation. Les renseignements contenus dans le présent guide concernent uniquement ce produit Epson. Epson ne peut être tenue responsable de l'utilisation de ces renseignements pour faire fonctionner d'autres équipements.

Ni Seiko Epson Corporation ni ses filiales ne sauraient être tenues responsables vis-à-vis de l'acheteur de ce produit, ou de tiers, des dommages, pertes, frais ou dépenses découlant : d'un accident, d'une utilisation incorrecte ou abusive, de modifications non autorisées, de réparations ou (à l'exception des États-Unis) du non-respect des directives d'utilisation ou d'entretien de Seiko Epson Corporation.

Seiko Epson Corporation décline toute responsabilité en cas de dommages ou de problèmes découlant de l'utilisation d'options ou de produits consommables autres que les produits désignés comme produits Epson d'origine ou comme produits approuvés pour Epson par Seiko Epson Corporation.

Utilisation responsable du matériel protégé par les lois sur les droits d'auteur

Epson encourage les utilisateurs de ses produits à faire preuve de responsabilité et à respecter les lois sur les droits d'auteurs. Dans certains pays, la loi permet une reproduction ou une réutilisation limitée de matériel protégé dans certaines circonstances, mais ces dernières sont parfois moins étendues que le croient certaines personnes. Pour toute question relative aux droits d'auteurs, communiquez avec votre conseiller juridique.

Marques de commerce

EPSON est une marque déposée, Epson Connect, Epson iPrint et Remote Print sont des marques de commerce et EPSON Exceed Your Vision est un logotype déposé de Seiko Epson Corporation.

Epson Connection est une marque de service d'Epson America, Inc.

Wi-Fi Direct® est une marque déposée de Wi-Fi Alliance®.

Google Cloud Print et Android sont des marques de commerce de Google Inc.

Evernote est une marque de commerce d'Evernote Corporation.

Avis général : Les autres noms de produit figurant dans le présent document ne sont cités qu'à titre d'identification et peuvent être des marques de commerce de leurs propriétaires respectifs. Epson renonce à tous les droits associés à ces marques.

L'information contenue dans le présent document peut être modifiée sans préavis.

© 2017 Epson America, Inc., 6/17

CPD-53527R1



413504600