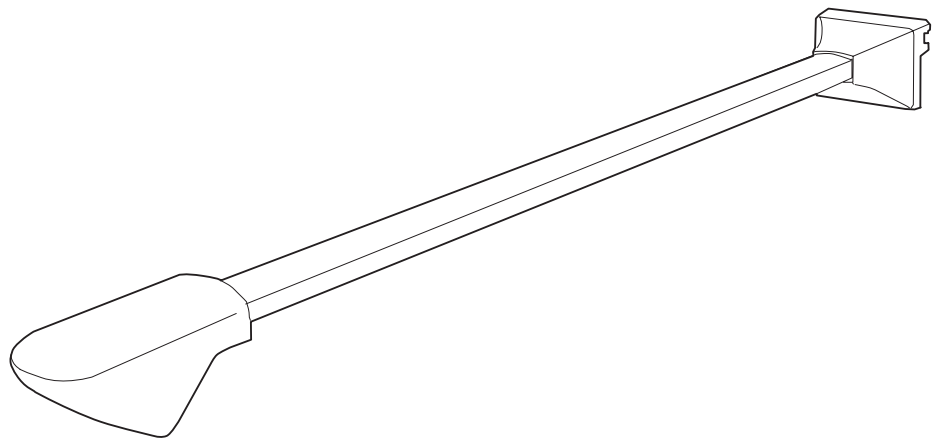


BrightLink Solo™
Interactive Module/Module interactif
(IU-01)



Quick Setup Guide
Guide d'installation rapide

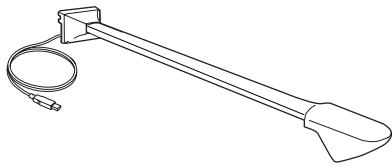
Safety Instructions

- Installation of the product on the wall should be performed by qualified technicians using only approved mounting equipment.
 - Incomplete or incorrect installation could cause the product to fall and cause personal injury or property damage.
 - If you apply adhesives to prevent the screws from loosening, or if you use lubricants or oils on the wall plate, the housing may crack and cause the product to fall, resulting in personal injury or property damage.
 - Handle the USB cable carefully to avoid fire or electric shock. Observe the following precautions when handling:
 - Do not handle the cable with wet hands.
 - Do not use a cable that is damaged or modified.
 - Do not pull the cable with too much force when routing it or connecting it to a computer.
 - Do not hang on the arm or hang a heavy object on it.
 - If the product or wall plate falls, it could cause personal injury or property damage.
 - When you mount the product on the wall with the wall plate, the wall requires enough strength to hold the product and the wall plate. Confirm the weight of the product and the wall plate before installation, and maintain the strength of the wall. If the wall is not strong enough, reinforce the wall before installation.
 - Do not install the product in a location where there is excessive humidity or dust, near cooking or heating appliances, or in a location exposed to smoke or steam. Fire or electric shock may result.
 - Do not install the product in a location where it might be exposed to vibration or shock, which could cause damage to the product or mounting surface. It could also cause the product to fall, resulting in personal injury or property damage.
 - Tighten all screws firmly after adjustment. Otherwise, the product or wall plate may fall and cause personal injury or property damage.
 - Never loosen the bolts and nuts after installation.
 - Confirm on a regular basis that the screws have not become loose. If you find any loose screws, tighten them firmly. Otherwise, the product or wall plate may fall and cause personal injury or property damage.
 - Follow the instructions in this guide when installing the wall plate. Otherwise, the wall plate may fall, resulting in personal injury or property damage.
 - Do not use excessive force when adjusting the product. Otherwise, the product may cause personal injury.
-

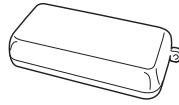
Contents

Safety Instructions	2
Contents	3
Unpacking	4
Specifications	4
Long Wall Plate Dimensions	4
Short Wall Plate Dimensions	4
Interactive Module Dimensions	5
Positioning the Interactive Module	5
Supported Image Sizes	5
Projector Position	6
Projection Surface	6
Projection Angle for Ceiling Mounted Projectors	7
Determining the Height of the Interactive Module	7
Installation Measurements in Inches	9
Installation Measurements in Millimeters	10
Confirming the Projector Position	11
Installing the Interactive Module	13
Installing the Wall Plate	13
Mounting the Interactive Module	14
Using the Interactive Module	15
Solving Problems	17
Interactive Pen Problems	17
Battery Problems	17
Where to Get Help	18
Internet Support	18
Speak to a Support Representative	18
Software Technical Support	18
Purchase Supplies and Accessories	18
Limited Warranty	19
Copyright Notice	20

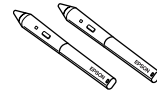
Unpacking



Interactive module with USB cable



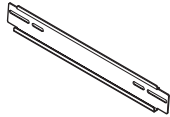
Pen tray



Interactive pens



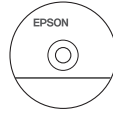
4 AAA alkaline batteries



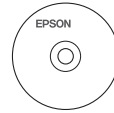
Long wall plate (double-stud)



Short wall plate (single-stud)



Epson Projector Software for Easy Interactive Function CD



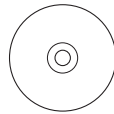
Document CD



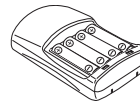
Hexagonal wrench



Bolts



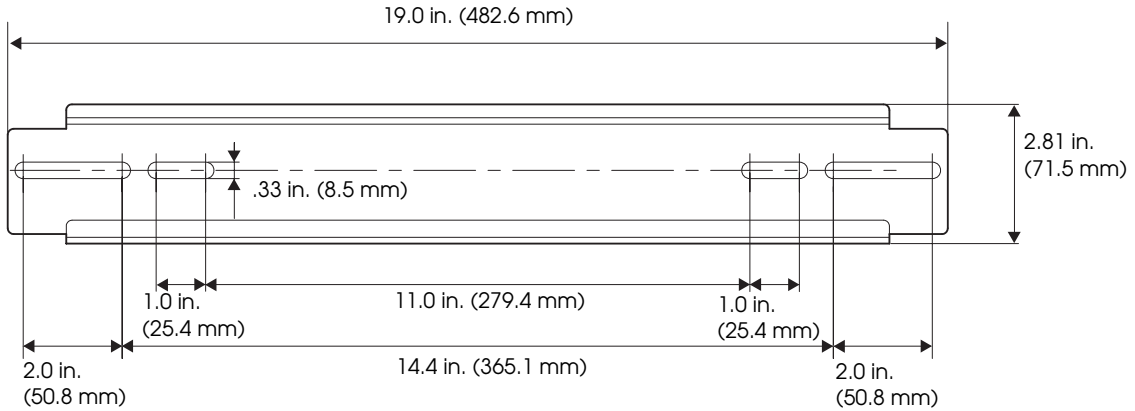
TeamBoard Draw CD



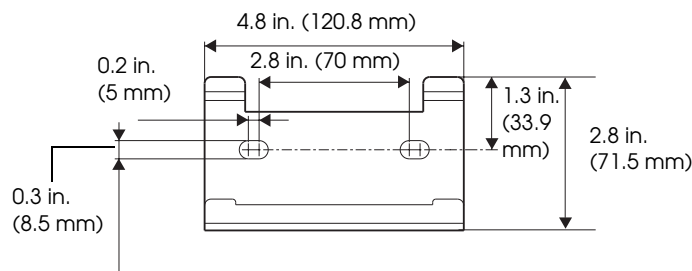
Battery charger with 4 AAA rechargeable batteries

Specifications

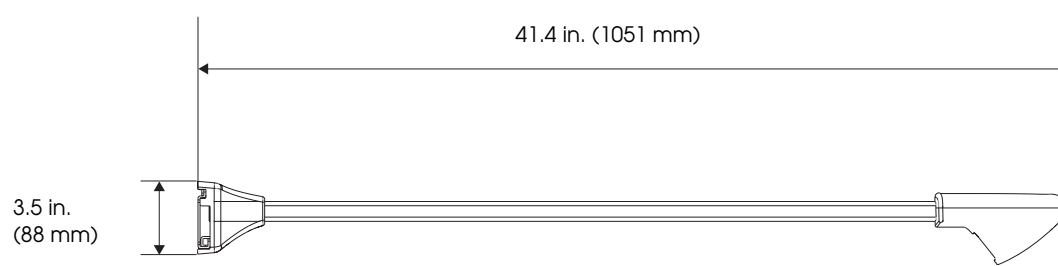
Long Wall Plate Dimensions



Short Wall Plate Dimensions



Interactive Module Dimensions



Positioning the Interactive Module

The interactive module mounts on a wall and works with images projected on a pre-installed whiteboard or directly on the wall. For interactive use, your images must be projected on a hard surface, rather than a screen.

Note

If you normally project on a screen, you need to move or retract it so that you can project directly on a wall or pre-installed whiteboard; this may require refocusing your projector.

The projected image must be between 58 and 102 inches (147 and 259 cm), measured diagonally. You may need to adjust your image size (using your projector's zoom feature) to work with the interactive module. If you project on a whiteboard, the image may not fill the entire board, depending on the size and aspect ratio.

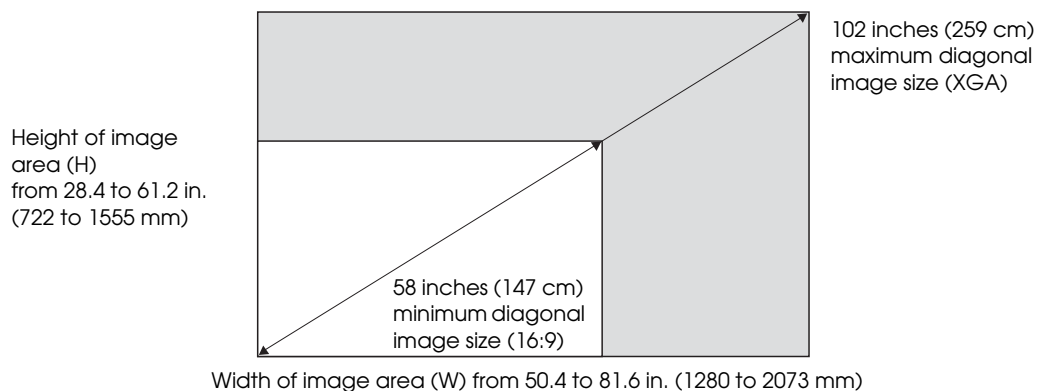
Supported Image Sizes

Width and Height Measurements

- Width: from 50.4 to 81.6 inches (1280 to 2073 mm)
- Height: from 28.4 to 61.2 inches (722 to 1555 mm)

Diagonal Measurements

- 16:10 WXGA: from 60 to 96 inches (152 to 244 cm) diagonal
- 4:3 XGA: from 63 to 102 inches (160 to 259 cm) diagonal
- 16:9 Widescreen: from 58 to 93 inches (147 to 236 cm) diagonal



Note

Interactivity cannot be guaranteed if the screen is smaller than 58 inches (147 cm) measured diagonally (minimum screen size for 16:9 widescreen aspect ratio).

Projector Position

The interactive module is designed to work with a ceiling-mounted projector. However, you can also use it with a portable projector on a table or cart.

With any type of projector, you will need to recalibrate if you change the size, position, or resolution of the image. This may happen more frequently when you use a portable projector.

If you use the interactive module with a portable projector, be aware of the following:

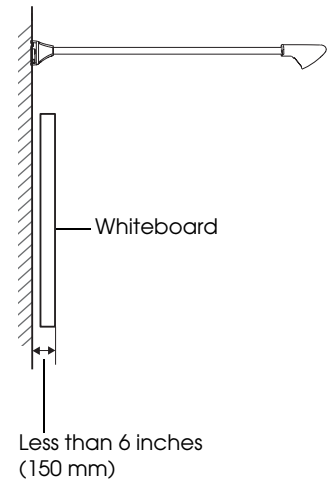
- You need to know the size, position, and location of the projected image before you can decide where to mount the interactive module. Epson recommends that you determine the best position for your portable projector, and mark the location on the table or floor so that you can always set it up in the same place.
- Reflection of the light from the projector may cause the interactive module to malfunction.
- Epson recommends that you position the interactive module for the largest possible image size from your portable projector(s).
- The person interacting with the image must avoid looking into the projector lens.

Warning

Never look into the projector lens when the lamp is turned on; the bright light can damage your eyes.

Projection Surface

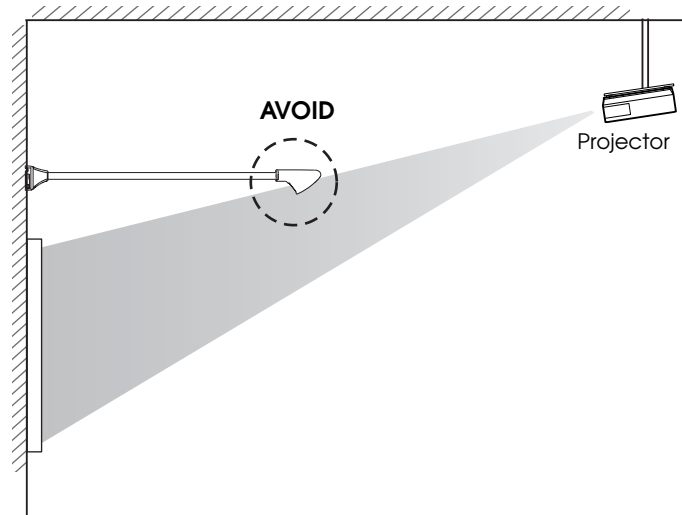
- Your images must be projected on a hard surface, rather than a screen.
- If you are projecting on a wall-mounted board, make sure the distance between the wall and the board is less than 6 inches (150 mm)
- Whether you are projecting on a wall-mounted board or a plain wall, make sure the wall is flat and free from any obstructions, bulges, or protrusions.



Projection Angle for Ceiling Mounted Projectors

Make sure your projector is positioned so that the interactive module will not interfere with the projected image. You may need to adjust your projector's position to avoid possible interference.

Refer to the table on page 9 or 10 and formulas on page 11 to determine whether you need to adjust your ceiling-mounted projector's position. For additional support tools and information, visit www.epson.com/support (U.S.) or www.epson.ca/support (Canada).



Note

No matter where your projector and interactive module are located, the person using the pen will cast a shadow on the image. The shadow will not interfere with the interactive function, as long as the signal itself is not blocked.

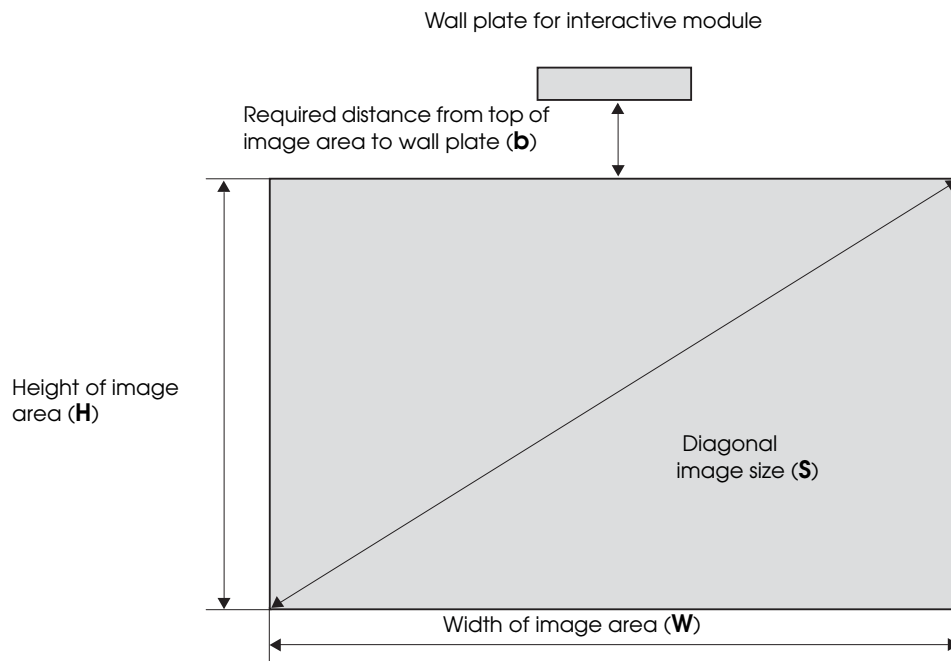
Determining the Height of the Interactive Module

You need to determine the required distance between the top of the image area and the bottom of the wall plate, based on the diagonal image size and aspect ratio. This distance indicates how high you need to mount the interactive module on the wall.

- 1 Determine the aspect ratio of your whiteboard or projected image. For new projectors and computers, this will most likely be WXGA (16:10). For older equipment, this will most likely be XGA (4:3).

If you are planning to project on a whiteboard, check the measurements on page 9 or 10 and select the image size that most closely matches your whiteboard. If the size and aspect ratio of your board do not match any of the listed dimensions, the image may not fill the entire board.

- 2 Measure the size of the projection area, including the height (**H**), width (**W**), and diagonal image size (**S**).



- 3** Determine the required distance from the top of the image area to the wall plate (**b**), using the aspect ratio and image size information and the tables on the following pages.

Note

The information in the tables on pages 9 and 10 is designed for use with ceiling-mounted projectors.

Installation Measurements in Inches

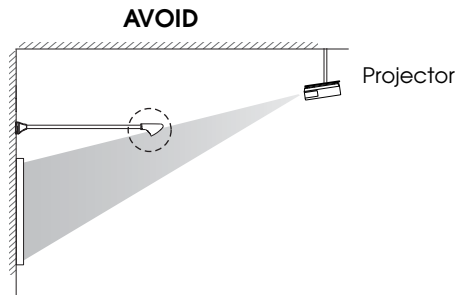
Diagonal image size (S)	16:10 WXGA			4:3 XGA			16:9 Widescreen		
	Image width (W)	Image height (H)	Distance from top of image to wall plate (b)	Image width (W)	Image height (H)	Distance from top of image to wall plate (b)	Image width (W)	Image height (H)	Distance from top of image to wall plate (b)
58"	—	—	—	—	—	—	50.6	28.4	26.8
59"	—	—	—	—	—	—	51.4	28.9	26.6
60"	50.9	31.8	25.1	—	—	—	52.3	29.4	26.3
61"	51.7	32.3	24.9	—	—	—	53.2	29.9	26.1
62"	52.6	32.9	24.6	—	—	—	54.0	30.4	25.8
63"	53.4	33.4	24.3	50.4	37.8	22.1	54.9	30.9	25.6
64"	54.3	33.9	24.1	51.2	38.4	21.8	55.8	31.4	25.3
65"	55.1	34.4	23.8	52.0	39.0	21.5	56.7	31.9	25.1
66"	56.0	35.0	23.5	52.8	39.6	21.2	57.5	32.4	24.8
67"	56.8	35.5	23.3	53.6	40.2	20.9	58.4	32.8	24.6
68"	57.7	36.0	23.0	54.4	40.8	20.6	59.3	33.3	24.4
69"	58.5	36.6	22.7	55.2	41.4	20.3	60.1	33.8	24.1
70"	59.4	37.1	22.5	56.0	42.0	20.0	61.0	34.3	23.9
71"	60.2	37.6	22.2	56.8	42.6	19.7	61.9	34.8	23.6
72"	61.1	38.2	22.0	57.6	43.2	19.4	62.8	35.3	23.4
73"	61.9	38.7	21.7	58.4	43.8	19.1	63.6	35.8	23.1
74"	62.8	39.2	21.4	59.2	44.4	18.8	64.5	36.3	22.9
75"	63.6	39.7	21.2	60.0	45.0	18.5	65.4	36.8	22.6
76"	64.4	40.3	20.9	60.8	45.6	18.2	66.2	37.3	22.4
77"	64.3	40.8	20.6	61.6	46.2	17.9	67.1	37.8	22.2
78"	66.1	41.3	20.4	62.4	46.8	17.6	68.0	38.2	21.9
79"	67.0	41.9	20.1	63.2	47.4	17.3	68.9	38.7	21.7
80"	67.8	42.4	19.8	64.0	48.0	17.0	69.7	39.2	21.4
81"	68.7	42.9	19.6	64.8	48.6	16.7	70.6	39.7	21.2
82"	69.5	43.5	19.3	65.6	49.2	16.4	71.5	40.2	20.9
83"	70.4	44.0	19.0	66.4	49.8	16.1	72.3	40.7	20.7
84"	71.2	44.5	18.8	67.2	50.4	15.8	73.2	41.2	20.4
85"	72.1	45.0	18.5	68.0	51.0	15.5	74.1	41.7	20.2
86"	72.9	45.6	18.2	68.8	51.6	15.2	75.0	42.2	19.9
87"	73.8	46.1	18.0	69.6	52.2	14.9	75.8	42.7	19.7
88"	74.6	46.6	17.7	70.4	52.8	14.6	76.7	43.1	19.5
89"	75.5	47.2	17.4	71.2	53.4	14.3	77.6	43.6	19.2
90"	76.3	47.7	17.2	72.0	54.0	14.0	78.4	44.1	19.0
91"	77.2	48.2	16.9	72.8	54.6	13.7	79.3	44.6	18.7
92"	78.0	48.8	16.7	73.6	55.2	13.4	80.2	45.1	18.5
93"	78.9	49.3	16.4	74.4	55.8	13.1	81.1	45.6	18.2
94"	79.7	49.8	16.1	75.2	56.4	12.8	—	—	—
95"	80.6	50.3	15.9	76.0	57.0	12.5	—	—	—
96"	81.4	50.9	15.6	76.8	57.6	12.2	—	—	—
97"	—	—	—	77.6	58.2	11.9	—	—	—
98"	—	—	—	78.4	58.8	11.6	—	—	—
99"	—	—	—	79.2	59.4	11.3	—	—	—
100"	—	—	—	80.0	60.0	11.0	—	—	—
101"	—	—	—	80.8	60.6	10.7	—	—	—
102"	—	—	—	81.6	61.2	10.4	—	—	—

Installation Measurements in Millimeters

Diagonal image size (S) inches	16:10 WXGA			4:3 XGA			16:9 Widescreen		
	Image width (W)	Image height (H)	Distance from top of image to wall plate (b)	Image width (W)	Image height (H)	Distance from top of image to wall plate (b)	Image width (W)	Image height (H)	Distance from top of image to wall plate (b)
58"	—	—	—	—	—	—	1284	722	558
59"	—	—	—	—	—	—	1306	735	550
60"	1292	808	558	—	—	—	1328	747	542
61"	1314	821	550	—	—	—	1350	760	535
62"	1335	835	542	—	—	—	1373	772	527
63"	1357	848	535	1280	960	565	1395	785	519
64"	1379	862	527	1300	975	558	1417	797	512
65"	1400	875	519	1321	991	550	1439	809	504
66"	1422	888	512	1341	1006	542	1461	822	497
67"	1443	902	497	1361	1021	535	1483	834	489
68"	1465	915	489	1382	1036	527	1505	847	474
69"	1486	929	481	1402	1052	519	1528	859	466
70"	1508	942	474	1422	1067	512	1550	872	459
71"	1529	956	466	1443	1082	504	1572	884	451
72"	1551	969	459	1463	1097	497	1594	897	443
73"	1572	983	451	1483	1113	489	1616	909	436
74"	1594	996	443	1504	1128	481	1638	921	428
75"	1615	1010	436	1524	1143	474	1660	934	420
76"	1637	1023	428	1544	1158	466	1682	946	413
77"	1659	1037	420	1565	1173	459	1705	959	405
78"	1680	1050	413	1585	1189	451	1727	971	398
79"	1702	1063	405	1605	1204	443	1749	984	382
80"	1723	1077	398	1626	1219	436	1771	996	375
81"	1745	1090	390	1646	1234	428	1793	1009	367
82"	1766	1104	382	1666	1250	420	1815	1021	359
83"	1788	1117	375	1687	1265	413	1837	1034	352
84"	1809	1131	359	1707	1280	405	1860	1046	344
85"	1831	1144	352	1727	1295	398	1882	1058	337
86"	1852	1158	344	1748	1311	390	1904	1071	329
87"	1874	1171	337	1768	1326	382	1926	1083	321
88"	1895	1185	329	1788	1341	375	1948	1096	314
89"	1917	1198	321	1809	1356	367	1970	1108	306
90"	1939	1212	314	1829	1372	359	1992	1121	291
91"	1960	1225	306	1849	1387	352	2015	1133	283
92"	1982	1239	298	1869	1402	344	2037	1146	276
93"	2003	1252	291	1890	1417	337	2059	1158	268
94"	2025	1265	283	1910	1433	329	—	—	—
95"	2046	1279	276	1930	1448	321	—	—	—
96"	2068	1292	268	1951	1463	314	—	—	—
97"	—	—	—	1971	1478	306	—	—	—
98"	—	—	—	1991	1494	298	—	—	—
99"	—	—	—	2018	1509	291	—	—	—
100"	—	—	—	2032	1524	283	—	—	—
101"	—	—	—	2052	1539	276	—	—	—
102"	—	—	—	2073	1555	268	—	—	—

Confirming the Projector Position

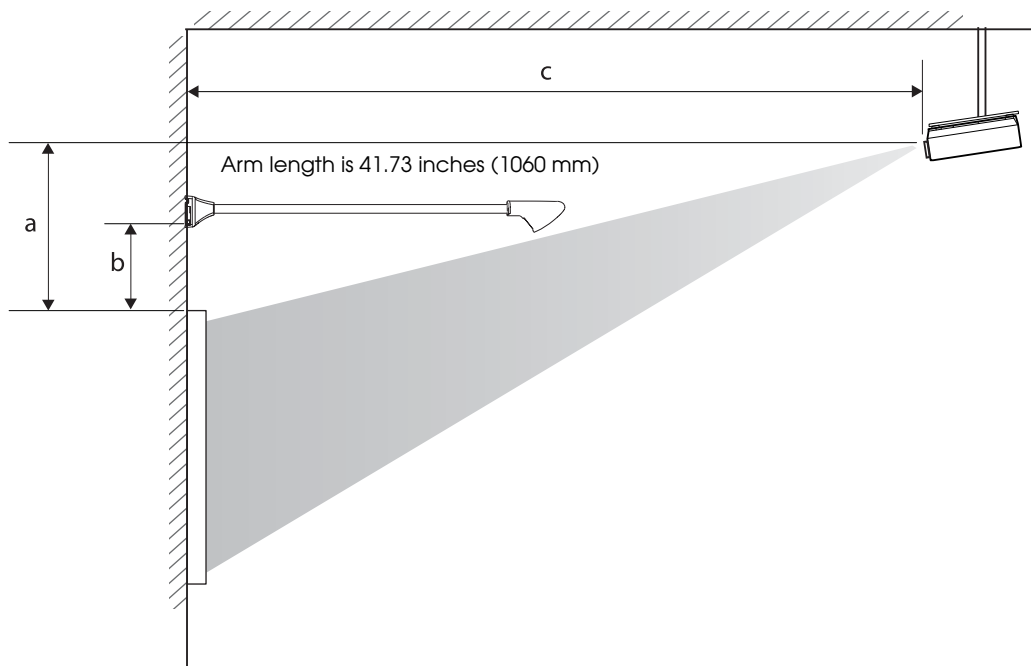
Once you have determined where to install the interactive module, you can determine whether the projector's position needs to be adjusted to avoid possible interference.



You can mount the interactive module and then test the installation with your projector turned on. Or, you can follow the steps below to calculate whether your projector's position needs to be adjusted.

1 Measure the following projector distances:

- The distance from top of the projection area to the top edge of the projector's lens (**a**)
- The distance from the wall to the top of the projector's lens (**c**)



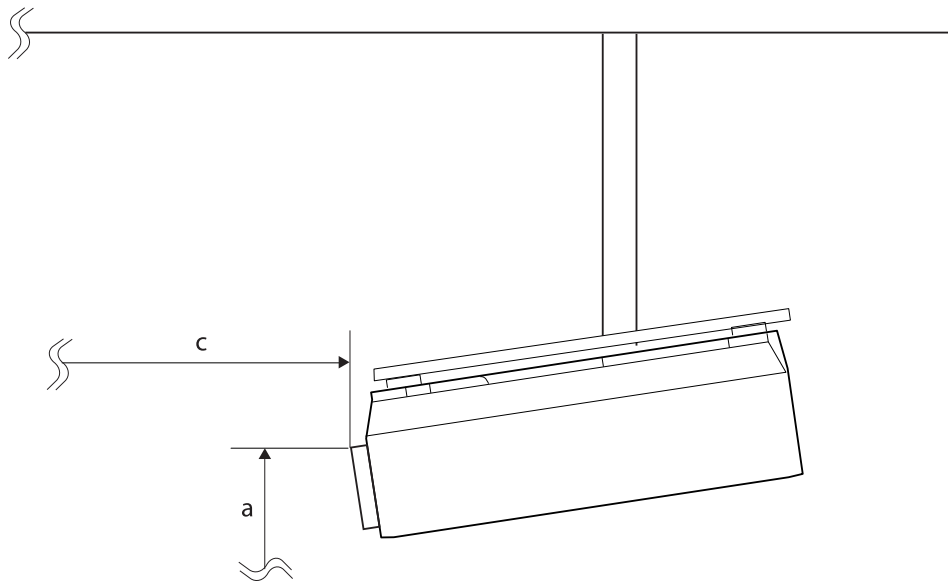
2 Make sure the distance from the top of the projector lens to the top of the image (**a**) is less than:

$$(b - 5.9 \text{ inches}) \times c / 41.73 \text{ inches}$$

$$\text{or } (b - 150 \text{ mm}) \times c / 1060 \text{ mm}$$

If the distance from the top of the projector lens to the top of the image (**a**) is less than the calculated value, the interactive module can be used without adjusting the projector position.

If not, change the projector's position so that the distance from the top of the projector lens to the top of the image is less than the calculated value. For example, you may need to lower the projector or tilt it down as shown:



Note

Consult a qualified projector specialist if you need to adjust your projector's position.

Sample Calculation

For example, if your projector is mounted 10 feet (3 m) away from the wall (distance **c**) for a 96-inch WXGA image, the interactive module would be mounted 15.6 inches (396 mm) above the image area (distance **b**), according to the table on page 9. The distance from the top of the projector lens to the top of the image (**a**) might be 30 inches (762 mm). You would calculate the following:

$$15.6 - 5.9 \text{ inches} \times 120 / 41.73 \text{ inches} = 27.9 \text{ inches.}$$

$$\text{or } 396 - 150 \text{ mm} \times 3048 / 1060 \text{ mm} = 709 \text{ mm.}$$

The **a** distance (30 inches or 762 mm) is more than 27.9 inches (709 mm). You would need to lower the projector by 2.1 inches (53 mm).

Installing the Interactive Module

Make sure you follow the steps in this section to install the wall plate, mount the interactive module, attach the cover, and center the interactive module.

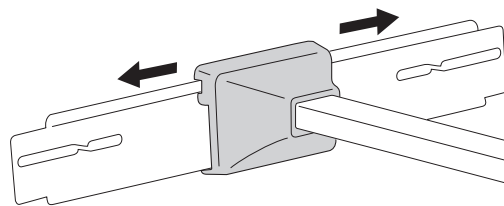
Caution

Make sure you use the appropriate hardware to support the combined weight of the interactive module and wall plate (approximately 5.08 lb/2.3 kg).

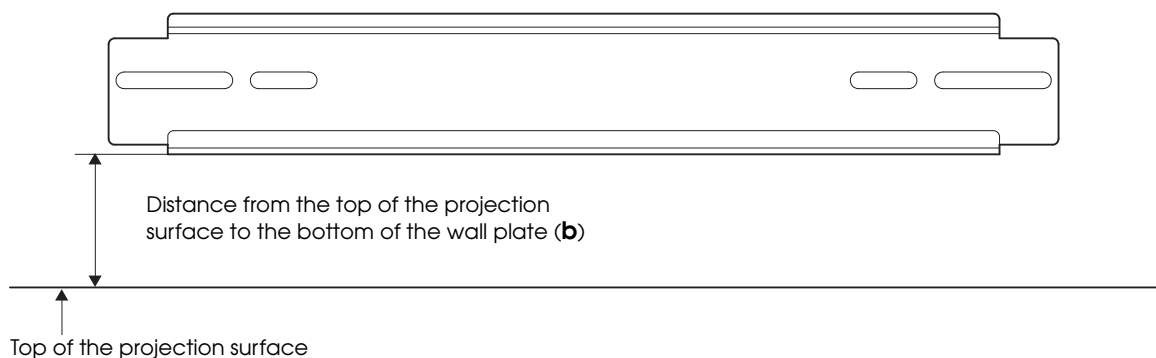
Installing the Wall Plate

You can use either the short wall plate (single-stud) or the long wall plate (double-stud), depending on the requirements of your building. The illustrations in this section show the long wall plate (double-stud).

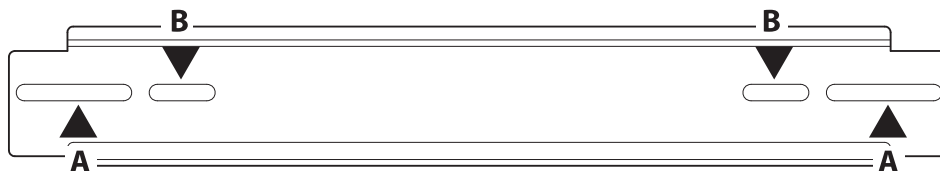
If you use the short wall plate, make sure you center it horizontally above the projection area. If you use the long wall plate, you can adjust the horizontal position after installation, as shown below.



- 1 Confirm the required distance between the top of the image area and the bottom of the wall plate (**b**). Make a line on the wall at this location above the whiteboard or projection area.



- 2 Determine the location of the studs within the wall. Align the wall plate with the line on the wall and make sure the holes (either **A** or **B**) in the wall plate align with the studs. Mark the position of the mounting holes on the wall.

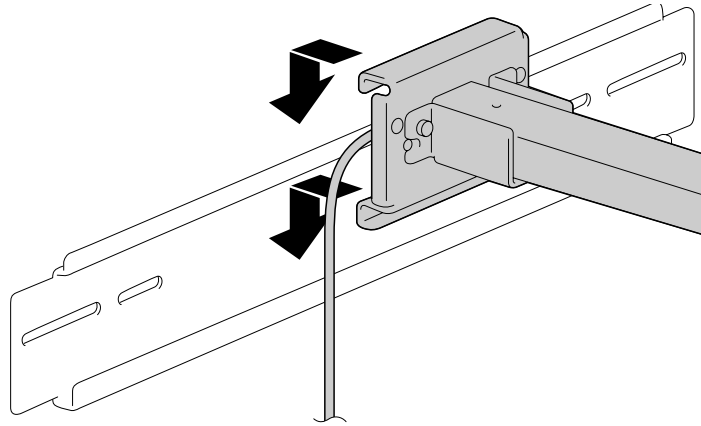


- 3 Drill holes in the wall at the required locations.
- 4 Using commercially available anchors or lag bolts, mount the wall plate on the wall.

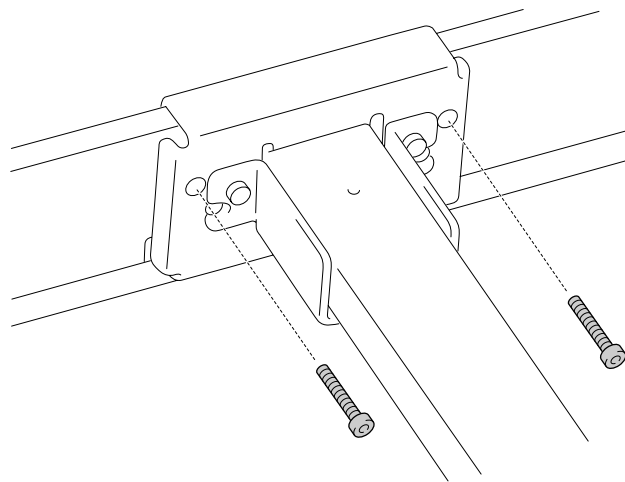
Mounting the Interactive Module

Before you mount the interactive module, note the serial number on the arm. Write it down on page 18 of this guide so you can refer to it in case you need product support.

- 1 Attach the interactive module onto the wall plate and position the USB cable as shown. You can pass the cable through the left or right side. Make sure the cable doesn't get trapped when you mount the module on the wall plate.

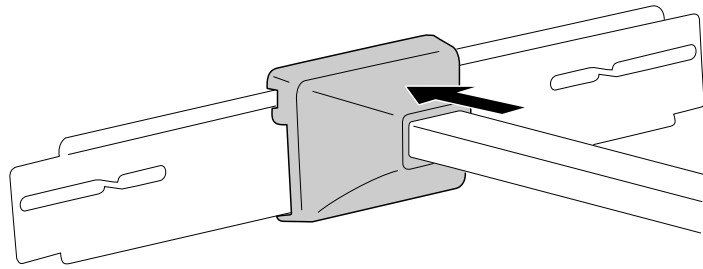


- 2 Secure the interactive module to the wall plate with the two included bolts, using the included hexagonal wrench. Do not tighten the bolts completely until you center the interactive module over your image area.



- 3 If you installed the long wall plate, slide the arm horizontally to position the interactive module above the center of the projection area or whiteboard.
- 4 Tighten the bolts using the included hexagonal wrench.

- Slide the cover over the wall plate as shown.



Note

Make sure you route the USB cable around the whiteboard or image area. An optional cable management system is available from Epson (part # ELPCCK01).

- To attach the bracket plate cover, follow the instructions that came with the cover.
- For convenient pen storage and security, attach the pen tray to your whiteboard or wall (bolts not included).

Using the Interactive Module

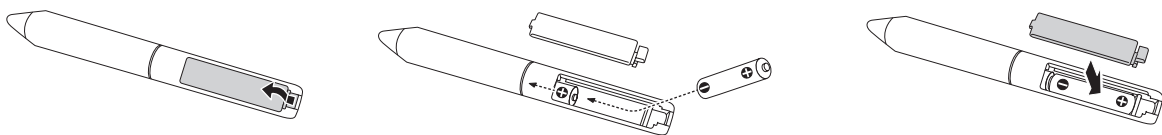
Once the interactive module is installed on the wall, you can connect the USB cable to your computer and begin using the interactive pens. For detailed instructions and troubleshooting tips, see your on-screen *ELPIU01 User's Guide*.

Follow these steps to get ready:

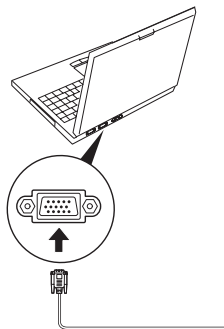
- Install the Easy Interactive Driver software on your computer from the CD labeled **Epson Projector Software for Easy Interactive Function**.

You can also install TeamBoard Draw annotation software.

- Install the pen batteries as shown. You can use either the alkaline batteries or the rechargeable batteries; do not mix the two battery types.



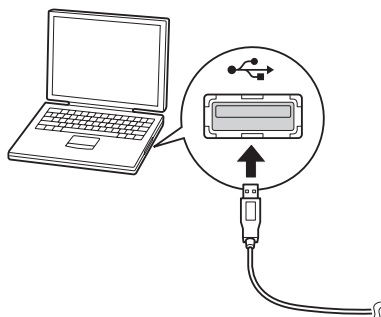
- Connect your computer to your projector and display an image.




Note

If you are using a whiteboard, the image may not fill the entire board, depending on its size and aspect ratio.

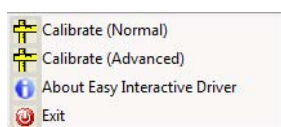
- 4 Connect your computer to the interactive module using the USB cable. If the cable is not long enough to reach your computer, you may need to use a USB extension cable (not included).



- 5 Launch the Easy Interactive Driver.

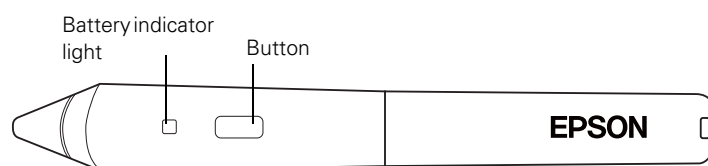
Click the  icon in the lower right corner of your screen (Windows[®]) or in the Dock (Mac OS[®]).

- 6 Select **Calibrate (Normal)** or **Calibrate (Advanced)**.



Normal calibration is faster and appropriate for most situations (unless you plan to work with very detailed images).

- 7 Follow the instructions on the screen to calibrate. Make sure you touch each dot as it appears.
- 8 Use the pen as a mouse by tapping it on the projected image.




- For best performance, hold the pen at an angle (like a normal pen), rather than perpendicular to the board.
- To left-click, tap on the board. Tap twice to double-click.
- To right-click, tap while pressing the button on the pen.
- To click and drag, tap and drag with the pen.

Solving Problems

Check the following section for solutions to common problems. For additional information, see the on-screen *ELPIU01 User's Guide*.

Interactive Pen Problems

- Make sure the USB cable is securely connected to the interactive module and computer. Try disconnecting and reconnecting the cable to your computer.
- If you don't see the  pen icon on your taskbar (Windows) or in the dock (Mac OS), do one of the following:

Windows: Select  or **Start > All Programs or Programs > EPSON Projector > Easy Interactive Driver**.

Mac OS: Open the **Application** folder, then select the **Easy Interactive Driver** icon.

- If you see a red X on the pen icon, the computer and interactive module are not connected correctly. Try removing and reconnecting the USB cable.
- Make sure the pen batteries have enough power. If the light on the pen doesn't turn green when you press the button, you need to replace the batteries.
- Make sure nothing is blocking the signal between the pen and the interactive module. Even if you are casting a shadow on the projected image, you should still be able to use the interactive pen.
- If the pen skips or is difficult to use, try moving to the side to avoid blocking the signal to the interactive module.
- Dim the room lights and turn off any fluorescent lights. Make sure the projection surface and the interactive module are not in direct sunlight or other sources of bright lighting.
- For easier operation, hold the pen tip at an upward angle to the projection surface.
- If the pen position is not accurate, you may need to recalibrate (see the on-screen *ELPIU01 User's Guide* for details).

Battery Problems

- If the lights on the battery charger do not turn on or flash when you plug it in, make sure you removed the cardboard strip from the charger and inserted the batteries correctly. See the instruction sheet included with the battery charger.

Where to Get Help

Epson provides these technical support services:

Internet Support

Visit Epson's support website at www.epson.com/support (U.S.) or www.epson.ca/support (Canada) and select your product for solutions to common problems. You can download software and documentation, get FAQs and troubleshooting advice, or e-mail Epson with your questions.

Speak to a Support Representative

To use the Epson PrivateLine Support service, call (800) 637-7661 and enter the PIN on the included Epson PrivateLine Support card. This is the fastest way of speaking to a live representative, and it's free. This service is available 6 AM to 6 PM, Pacific Time, Monday through Friday, for the duration of your warranty period.

You may also speak with a projector support specialist by dialing one of these numbers:

- U.S.: (562) 276-4394, 6 AM to 6 PM, Pacific Time, Monday through Friday.
- Canada: (905) 709-3839, 6 AM to 6 PM, Pacific Time, Monday through Friday.

Days and hours of support are subject to change without notice. Toll or long distance charges may apply.

Before you call for support, please have the following information ready:

- Product name (IU-01 BrightLink Solo Interactive Module)
- Product serial number (on the arm of the interactive module)
- Proof of purchase and date of purchase
- Computer or video configuration
- Description of the problem

Software Technical Support

- If you need help with TeamBoard Draw software, contact Epson as described above. For more information about TeamBoard software and products, visit the following website:

www.teamboard.com

- If your interactive module included RM Easiteach and you need help, call (866) 728-6758 or visit the following support websites:

www.rmeducation.com/support/et or www.rmeducation.com/easiteach

- For Easy Interactive Driver issues, please contact Epson as described above.

Purchase Supplies and Accessories

You can purchase accessories from an Epson authorized reseller. To find the nearest reseller, call 800-GO-EPSON (800-463-7766). Or you can purchase online at www.epsonstore.com (U.S. sales) or www.epson.ca (Canadian sales).

Limited Warranty

What Is Covered: Epson America, Inc. (“Epson”) warrants to the original retail purchaser of the Epson product enclosed with this limited warranty statement that the product, if purchased new and operated in the United States, Canada, or Puerto Rico will be free from defects in workmanship and materials for a period of two (2) years from the date of original purchase. For warranty service, you must provide proof of the date of original purchase.

What Epson Will Do To Correct Problems: If your product requires service during the limited warranty period, please call Epson at the number on the bottom of this statement and be prepared to provide the model, serial number, and date of original purchase. Epson will, at its option, repair or replace the defective unit, without charge for parts or labor. When warranty service involves the exchange of the product or of a part, the item replaced becomes Epson property. The exchanged product or part may be new or refurbished to the Epson standard of quality, and at Epson's option, the replacement may be another model of like kind and quality. Epson's liability for replacement of the covered product will not exceed the original retail selling price of the covered product. Exchange or replacement products or parts assume the remaining warranty period of the product covered by this limited warranty.

What This Warranty Does Not Cover: This warranty covers only normal use in the United States, Canada or Puerto Rico. Twenty-four hours per day or other excessive continual use is not considered normal use. This warranty does not cover consumables. This warranty is not transferable. Epson is not responsible for warranty service should the Epson label or logo or the rating label or serial number be removed. Epson is not responsible for warranty service should the product fail to be properly maintained or fail to function properly as a result of misuse, abuse, improper installation, neglect, improper shipping, damage caused by disasters such as fire, flood, and lightning, improper electrical current, software problems, interaction with non-Epson products, or service other than by Epson or an Epson Authorized Servicer. Postage, insurance, or shipping costs incurred in presenting your Epson product for carry-in warranty service are your responsibility. Epson will pay for all freight charges if you choose to send your unit to Epson for repair. If a claimed defect cannot be identified or reproduced in service, you will be held responsible for costs incurred.

THE WARRANTY AND REMEDY PROVIDED ABOVE ARE EXCLUSIVE AND IN LIEU OF ALL OTHER EXPRESS OR IMPLIED WARRANTIES INCLUDING, BUT NOT LIMITED TO, THE IMPLIED WARRANTIES OF MERCHANTABILITY OR FITNESS FOR A PARTICULAR PURPOSE. SOME LAWS DO NOT ALLOW THE EXCLUSION OF IMPLIED WARRANTIES. IF THESE LAWS APPLY, THEN ALL EXPRESS AND IMPLIED WARRANTIES ARE LIMITED TO THE WARRANTY PERIOD IDENTIFIED ABOVE. UNLESS STATED HEREIN, ANY STATEMENTS OR REPRESENTATIONS MADE BY ANY OTHER PERSON OR FIRM ARE VOID. IN THE EVENT THE REMEDIES ABOVE FAIL, EPSON'S ENTIRE LIABILITY SHALL BE LIMITED TO A REFUND OF THE PRICE PAID FOR THE EPSON PRODUCT COVERED BY THIS LIMITED WARRANTY. EXCEPT AS PROVIDED IN THIS WRITTEN WARRANTY, NEITHER EPSON AMERICA, INC. NOR ITS AFFILIATES SHALL BE LIABLE FOR ANY LOSS, INCONVENIENCE, OR DAMAGE, INCLUDING DIRECT, SPECIAL, INCIDENTAL, OR CONSEQUENTIAL DAMAGES, RESULTING FROM THE USE OR INABILITY TO USE THE EPSON PRODUCT, WHETHER RESULTING FROM BREACH OF WARRANTY OR ANY OTHER LEGAL THEORY.

In Canada, warranties include both warranties and conditions.

Some jurisdictions do not allow limitations on how long an implied warranty lasts and some jurisdictions do not allow the exclusion or limitation of incidental or consequential damages, so the above limitations and exclusions may not apply to you. This warranty gives you specific legal rights, and you may also have other rights, which vary from jurisdiction to jurisdiction.

To find the Epson Authorized Reseller nearest you, please visit our website at: www.epson.com.

To find the Epson Customer Care Center nearest you, please visit www.epson.com/support.

To contact the Epson ConnectionSM, please call (800) 637-7661 + PIN or (562) 276-4394 in the U.S. and (905) 709-3839 in Canada or write to Epson America, Inc., P.O. Box 93012, Long Beach, CA 90809-3012.

Copyright Notice

All rights reserved. No part of this publication may be reproduced, stored in a retrieval system, or transmitted in any form or by any means, electronic, mechanical, photocopying, recording, or otherwise, without the prior written permission of Seiko Epson Corporation. The information contained herein is designed only for use with this Epson product. Epson is not responsible for any use of this information as applied to other products.

Neither Seiko Epson Corporation nor its affiliates shall be liable to the purchaser of this product or third parties for damages, losses, costs, or expenses incurred by purchaser or third parties as a result of: accident, misuse, or abuse of this product or unauthorized modifications, repairs, or alterations to this product, or (excluding the U.S.) failure to strictly comply with Seiko Epson Corporation's operating and maintenance instructions.

Seiko Epson Corporation shall not be liable for any damages or problems arising from the use of any options or any consumable products other than those designated as Original Epson Products or Epson Approved Products by Seiko Epson Corporation.

Trademarks

Epson is a registered trademark, and Epson Exceed Your Vision is a registered logomark of Seiko Epson Corporation.

BrightLink Solo is a trademark of Epson America, Inc.

General Notice: Other product names used herein are for identification purposes only and may be trademarks of their respective owners. Epson disclaims any and all rights in those marks.

This information is subject to change without notice.

© 2010 Epson America Inc. 9/10

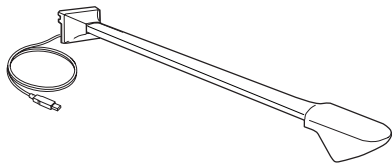
Consignes de sécurité

- L'installation du produit au mur doit être effectuée par des techniciens qualifiés en utilisant uniquement l'équipement de montage approuvé.
- L'installation incomplète ou inadéquate peut entraîner la chute du produit, des blessures et/ou des dégâts matériels.
- Si vous appliquez un adhésif pour que les vis ne se desserrent pas ou si vous utilisez des lubrifiants ou des huiles sur la plaque murale, le boîtier peut se fissurer et entraîner la chute du produit, des blessures et/ou des dégâts matériels.
- Manipulez le câble USB avec soin pour éviter tout incendie ou toute décharge électrique. Observez les consignes suivantes quand vous manipulez le câble :
 - Ne manipulez pas le câble avec des mains humides.
 - N'utilisez pas un câble endommagé ou altéré.
 - Ne tirez pas trop fort sur le câble pendant son acheminement ou son raccordement à un ordinateur.
- Ne vous accrochez pas au bras ou n'accrochez pas d'objet lourd sur celui-ci.
- La chute du produit ou de la plaque murale peut entraîner des blessures et/ou des dégâts matériels.
- Lorsque le produit est monté au mur en utilisant la plaque murale, le mur doit être assez solide pour soutenir le produit et la plaque murale. Confirmez le poids du produit et de la plaque murale avant l'installation, ainsi que la solidité du mur. Si le mur n'est pas assez solide, renforcez-le avant l'installation.
- N'installez pas le produit dans un emplacement où il y a de l'humidité ou de la poussière excessive, près d'appareils de cuisson ou de chauffage ou encore dans un emplacement exposé à la fumée ou à la vapeur, au risque de provoquer un incendie ou une décharge électrique.
- N'installez pas le produit dans un emplacement où il peut être soumis à des vibrations ou des chocs, car ceux-ci peuvent endommager le produit ou sa surface de montage. Ils peuvent aussi entraîner la chute du produit, des blessures et/ou des dégâts matériels.
- Serrez fermement toutes les vis après l'ajustement. Sinon, cela peut entraîner la chute du produit ou de la plaque murale, ainsi que des blessures et/ou des dégâts matériels.
- Ne desserrez jamais des boulons et les écrous après l'installation.
- Confirmez régulièrement que les vis ne sont pas desserrées. Serrez fermement toute vis desserrée. Sinon, cela peut entraîner la chute du produit ou de la plaque murale, ainsi que des blessures et/ou des dégâts matériels.
- Observez les directives du présent guide pour l'installation de la plaque murale. Sinon, cela peut entraîner la chute de la plaque murale, ainsi que des blessures et/ou des dégâts matériels.
- N'exercez pas de force excessive pendant l'ajustement du produit. Sinon, le produit peut causer des blessures.

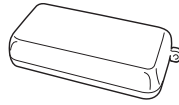
Table des matières

Consignes de sécurité.....	21
Table des matières	22
Déballage.....	23
Spécifications	23
Dimensions de la plaque murale longue.....	23
Dimensions de la plaque murale courte	23
Dimensions du module interactif.....	24
Positionnement du module interactif.....	24
Tailles d'images prises en charge.....	24
Position du projecteur	25
Surface de projection	26
Angle de projection pour les projecteurs montés au plafond.....	26
Détermination de la hauteur de positionnement du module interactif.....	26
Mesures d'installation en pouces	28
Mesures d'installation en millimètres	29
Confirmation de la position du projecteur	30
Installation du module interactif	32
Installation de la plaque murale	32
Montage du module interactif	33
Utilisation du module interactif	34
Résolution des problèmes.....	36
Problèmes avec les crayons interactifs.....	36
Problèmes de piles	36
Comment obtenir de l'aide	37
Sur Internet	37
Pour parler à un représentant du soutien technique	37
Soutien technique pour les logiciels	37
Achat de fournitures et d'accessoires.....	37
Garantie limitée	38
Avis sur les droits d'auteur	39

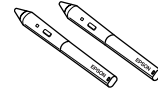
Déballage



Module interactif avec câble USB



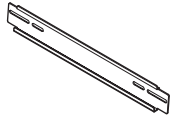
Rangement pour crayons



Crayons interactifs



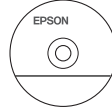
4 piles alcalines AAA



Plaque murale longue (montant double)



Plaque murale courte (montant simple)



CD « Epson Projector Software for Easy Interactive Function »



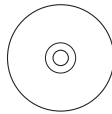
CD des documents



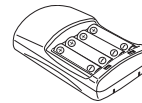
Clé hexagonale



Boulons



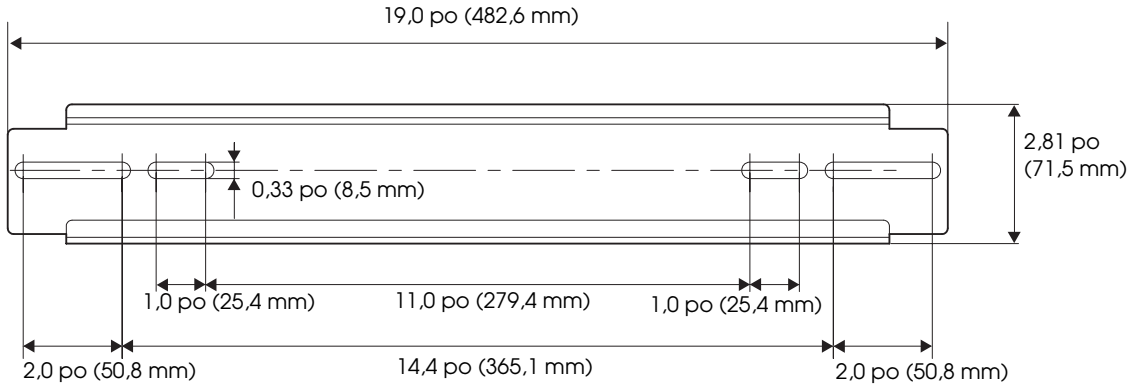
CD « TeamBoard Draw »



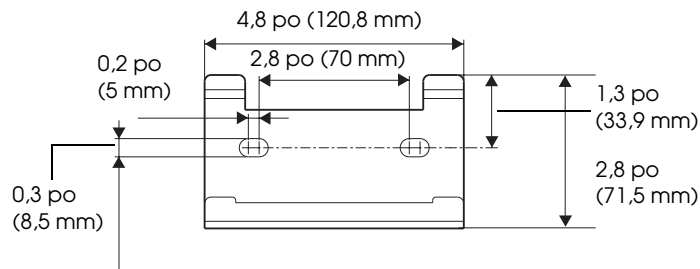
Chargeur de piles avec 4 piles rechargeables AAA

Spécifications

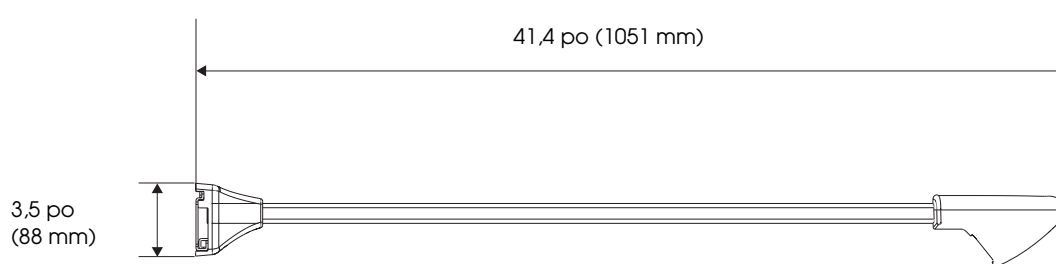
Dimensions de la plaque murale longue



Dimensions de la plaque murale courte



Dimensions du module interactif



Positionnement du module interactif

Le module interactif s'installe au mur et fonctionne avec les images projetées sur un tableau blanc préinstallé ou directement sur le mur. Les images doivent être projetées sur une surface dure plutôt qu'un écran pour réaliser une utilisation interactive.

Remarque

Si vous projetez habituellement sur un écran, vous devez le déplacer ou le fermer pour projeter directement sur le mur ou sur un tableau blanc préinstallé; par contre, cela peut nécessiter un ajustement de la mise au point de l'image du projecteur.

L'image projetée doit être de 58 po à 102 po (de 147 cm à 259 cm), mesurée diagonalement. Il peut être nécessaire d'ajuster la taille de l'image (en utilisant la fonction zoom du projecteur) pour utiliser le module interactif. Si vous projetez sur un tableau blanc, l'image peut ne pas remplir toute la surface du tableau, en fonction de sa taille et de son rapport hauteur/largeur.

Tailles d'images prises en charge

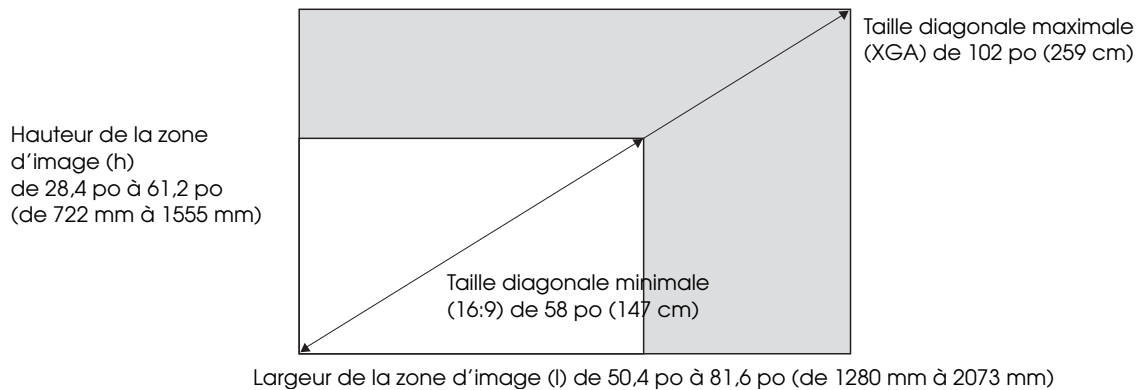
Largeur et hauteur

- Largeur : de 50,4 po à 81,6 po (de 1280 à 2 073 mm)
- Hauteur : de 28,4 po à 61,2 po (de 722 mm à 1 555 mm)

Diagonale

- WXGA 16:10 : de 60 po à 96 po (de 152 cm à 244 cm)
- XGA 4:3 : de 63 po à 102 po (de 160 cm à 259 cm)

- Panoramique 16:9 : de 58 po à 93 po (de 147 cm à 236 cm)



Remarque

L'interactivité ne peut être garantie si la taille de l'image projetée est inférieure à 58 po (147 cm) mesurée diagonalement (taille d'image minimale pour panoramique 16:9).

Position du projecteur

Le module interactif est conçu pour convenir à un projecteur monté au plafond. Cependant, il peut également être utilisé avec un projecteur portable installé sur une table ou un chariot.

Avec tout type de projecteur, vous devrez recalibrer si vous modifiez la taille, la position ou la résolution de l'image. Cela peut être requis plus fréquemment si vous utilisez un projecteur portable.

Si vous utilisez le module interactif avec un projecteur portable, veuillez noter ce qui suit :

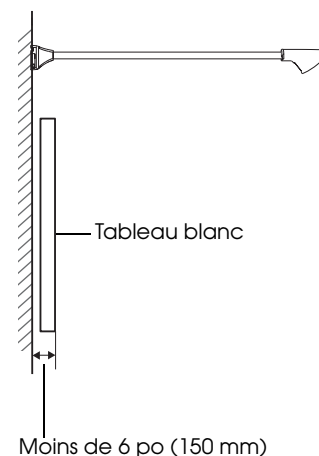
- vous devez connaître la taille, la position et l'emplacement de l'image projetée avant de choisir l'endroit où sera monté le module interactif. Epson recommande de déterminer le meilleur emplacement pour votre projecteur, et de marquer cet emplacement sur la table ou le plancher afin de pouvoir toujours installer le projecteur au même endroit;
- la réflexion de la lumière du projecteur peut provoquer une défaillance du module interactif;
- Epson recommande de positionner le module interactif pour la taille d'image la plus grande possible pour votre projecteur portable;
- la personne interagissant avec l'image doit éviter de regarder dans l'objectif du projecteur.

Avertissement

Ne regardez jamais dans l'objectif du projecteur lorsque la lampe est allumée; la lumière intense peut causer des lésions oculaires.

Surface de projection

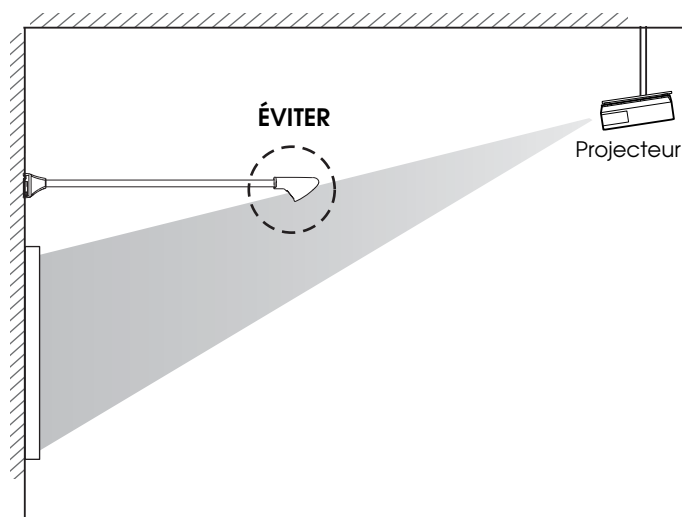
- Les images doivent être projetées sur une surface dure plutôt qu'un écran.
- Si vous projetez sur un tableau monté au mur, assurez-vous que la distance entre le mur et ce tableau est de moins de 6 po (150 mm).
- Que vous projetiez sur un tableau monté au mur ou sur un mur ordinaire, veillez à ce que le mur soit plat et sans obstruction, bosse ou protrusion.



Angle de projection pour les projecteurs montés au plafond

Assurez-vous que le projecteur est positionné de façon à ce que le module interactif n'interfère pas avec l'image projetée. Il peut être nécessaire de repositionner le projecteur pour éviter toute interférence possible.

Consultez le tableau de la page 28 ou de la page 29, ainsi que les formules de la page 30 pour déterminer si vous devez repositionner le projecteur monté au plafond. Pour obtenir des outils supplémentaires et de l'information, visitez le site Web www.epson.ca.



Remarque

Peu importe l'endroit où le module interactif et le projecteur sont placés, la personne utilisant le crayon fera une ombre sur la surface de projection. L'ombre ne nuira pas à la fonction d'interactivité, aussi longtemps que le signal n'est pas bloqué.

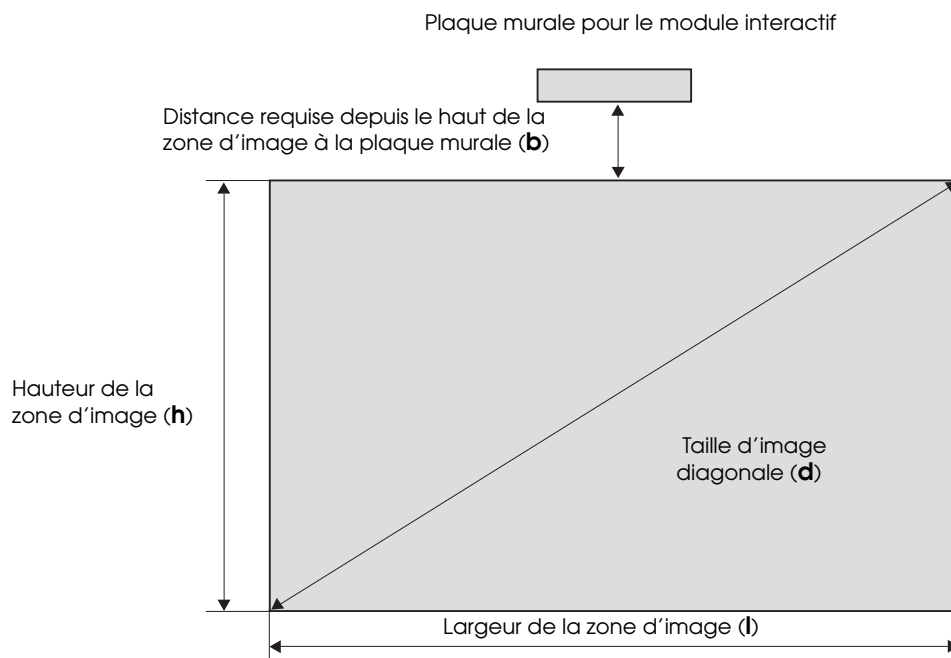
Détermination de la hauteur de positionnement du module interactif

Vous devez déterminer la distance requise entre le haut de la zone d'image et le bas de la plaque murale, en fonction de la taille d'image diagonale et du rapport hauteur/largeur. Cette distance indique à quelle hauteur au mur il faut monter le module interactif.

- 1 Déterminez le rapport hauteur/largeur (le format) du tableau blanc ou de l'image projetée. Pour les nouveaux projecteurs et ordinateurs, il sera probablement WXGA (16:10). Pour l'équipement plus ancien, il s'agira probablement de XGA (4:3).

Si vous prévoyez effectuer une projection sur un tableau blanc, consultez les mesures à la page 28 ou à la page 29, puis sélectionnez la taille d'image la plus proche de la taille du tableau blanc. Si la taille et le rapport hauteur/largeur du tableau ne correspondent pas aux dimensions listées, l'image peut ne pas remplir toute la surface du tableau.

- 2 Mesurez la taille de la zone de projection, notamment la hauteur (**h**), la largeur (**l**) et la diagonale (**d**).



- 3 Déterminez la distance requise depuis le haut de la zone d'image à la plaque murale (**b**), en utilisant les mesures de rapport hauteur/largeur et de taille d'image des tableaux présentées dans les pages suivantes.

Remarque

Les valeurs indiquées dans les tableaux des pages 28 et 29 concernent les projecteurs montés au plafond.

Mesures d'installation en pouces

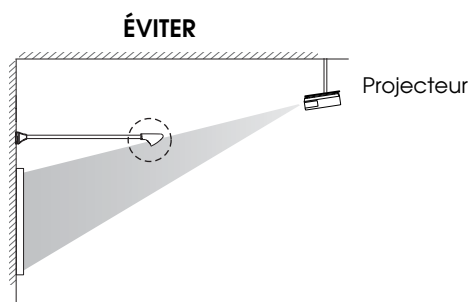
Taille d'image diagonale (d)	WXGA 16:10			XGA 4:3			Panoramique 16:9		
	Largeur d'image (l)	Hauteur d'image (h)	Distance depuis le haut de l'image à la plaque murale (b)	Largeur d'image (l)	Hauteur d'image (h)	Distance depuis le haut de l'image à la plaque murale (b)	Largeur d'image (l)	Hauteur d'image (h)	Distance depuis le haut de l'image à la plaque murale (b)
58 po	—	—	—	—	—	—	50,6	28,4	26,8
59 po	—	—	—	—	—	—	51,4	28,9	26,6
60 po	50,9	31,8	25,1	—	—	—	52,3	29,4	26,3
61 po	51,7	32,3	24,9	—	—	—	53,2	29,9	26,1
62 po	52,6	32,9	24,6	—	—	—	54,0	30,4	25,8
63 po	53,4	33,4	24,3	50,4	37,8	22,1	54,9	30,9	25,6
64 po	54,3	33,9	24,1	51,2	38,4	21,8	55,8	31,4	25,3
65 po	55,1	34,4	23,8	52,0	39,0	21,5	56,7	31,9	25,1
66 po	56,0	35,0	23,5	52,8	39,6	21,2	57,5	32,4	24,8
67 po	56,8	35,5	23,3	53,6	40,2	20,9	58,4	32,8	24,6
68 po	57,7	36,0	23,0	54,4	40,8	20,6	59,3	33,3	24,4
69 po	58,5	36,6	22,7	55,2	41,4	20,3	60,1	33,8	24,1
70 po	59,4	37,1	22,5	56,0	42,0	20,0	61,0	34,3	23,9
71 po	60,2	37,6	22,2	56,8	42,6	19,7	61,9	34,8	23,6
72 po	61,1	38,2	22,0	57,6	43,2	19,4	62,8	35,3	23,4
73 po	61,9	38,7	21,7	58,4	43,8	19,1	63,6	35,8	23,1
74 po	62,8	39,2	21,4	59,2	44,4	18,8	64,5	36,3	22,9
75 po	63,6	39,7	21,2	60,0	45,0	18,5	65,4	36,8	22,6
76 po	64,4	40,3	20,9	60,8	45,6	18,2	66,2	37,3	22,4
77 po	64,3	40,8	20,6	61,6	46,2	17,9	67,1	37,8	22,2
78 po	66,1	41,3	20,4	62,4	46,8	17,6	68,0	38,2	21,9
79 po	67,0	41,9	20,1	63,2	47,4	17,3	68,9	38,7	21,7
80 po	67,8	42,4	19,8	64,0	48,0	17,0	69,7	39,2	21,4
81 po	68,7	42,9	19,6	64,8	48,6	16,7	70,6	39,7	21,2
82 po	69,5	43,5	19,3	65,6	49,2	16,4	71,5	40,2	20,9
83 po	70,4	44,0	19,0	66,4	49,8	16,1	72,3	40,7	20,7
84 po	71,2	44,5	18,8	67,2	50,4	15,8	73,2	41,2	20,4
85 po	72,1	45,0	18,5	68,0	51,0	15,5	74,1	41,7	20,2
86 po	72,9	45,6	18,2	68,8	51,6	15,2	75,0	42,2	19,9
87 po	73,8	46,1	18,0	69,6	52,2	14,9	75,8	42,7	19,7
88 po	74,6	46,6	17,7	70,4	52,8	14,6	76,7	43,1	19,5
89 po	75,5	47,2	17,4	71,2	53,4	14,3	77,6	43,6	19,2
90 po	76,3	47,7	17,2	72,0	54,0	14,0	78,4	44,1	19,0
91 po	77,2	48,2	16,9	72,8	54,6	13,7	79,3	44,6	18,7
92 po	78,0	48,8	16,7	73,6	55,2	13,4	80,2	45,1	18,5
93 po	78,9	49,3	16,4	74,4	55,8	13,1	81,1	45,6	18,2
94 po	79,7	49,8	16,1	75,2	56,4	12,8	—	—	—
95 po	80,6	50,3	15,9	76,0	57,0	12,5	—	—	—
96 po	81,4	50,9	15,6	76,8	57,6	12,2	—	—	—
97 po	—	—	—	77,6	58,2	11,9	—	—	—
98 po	—	—	—	78,4	58,8	11,6	—	—	—
99 po	—	—	—	79,2	59,4	11,3	—	—	—
100 po	—	—	—	80,0	60,0	11,0	—	—	—
101 po	—	—	—	80,8	60,6	10,7	—	—	—
102 po	—	—	—	81,6	61,2	10,4	—	—	—

Mesures d'installation en millimètres

Taille d'image diagonale (d)	WXGA 16:10			XGA 4:3			Panoramique 16:9		
	Largeur d'image (l)	Hauteur d'image (h)	Distance depuis le haut de l'image à la plaque murale (b)	Largeur d'image (l)	Hauteur d'image (h)	Distance depuis le haut de l'image à la plaque murale (b)	Largeur d'image (l)	Hauteur d'image (h)	Distance depuis le haut de l'image à la plaque murale (b)
58 po	—	—	—	—	—	—	1284	722	558
59 po	—	—	—	—	—	—	1306	735	550
60 po	1292	808	558	—	—	—	1328	747	542
61 po	1314	821	550	—	—	—	1350	760	535
62 po	1335	835	542	—	—	—	1373	772	527
63 po	1357	848	535	1280	960	565	1395	785	519
64 po	1379	862	527	1300	975	558	1417	797	512
65 po	1400	875	519	1321	991	550	1439	809	504
66 po	1422	888	512	1341	1006	542	1461	822	497
67 po	1443	902	497	1361	1021	535	1483	834	489
68 po	1465	915	489	1382	1036	527	1505	847	474
69 po	1486	929	481	1402	1052	519	1528	859	466
70 po	1508	942	474	1422	1067	512	1550	872	459
71 po	1529	956	466	1443	1082	504	1572	884	451
72 po	1551	969	459	1463	1097	497	1594	897	443
73 po	1572	983	451	1483	1113	489	1616	909	436
74 po	1594	996	443	1504	1128	481	1638	921	428
75 po	1615	1010	436	1524	1143	474	1660	934	420
76 po	1637	1023	428	1544	1158	466	1682	946	413
77 po	1659	1037	420	1565	1173	459	1705	959	405
78 po	1680	1050	413	1585	1189	451	1727	971	398
79 po	1702	1063	405	1605	1204	443	1749	984	382
80 po	1723	1077	398	1626	1219	436	1771	996	375
81 po	1745	1090	390	1646	1234	428	1793	1009	367
82 po	1766	1104	382	1666	1250	420	1815	1021	359
83 po	1788	1117	375	1687	1265	413	1837	1034	352
84 po	1809	1131	359	1707	1280	405	1860	1046	344
85 po	1831	1144	352	1727	1295	398	1882	1058	337
86 po	1852	1158	344	1748	1311	390	1904	1071	329
87 po	1874	1171	337	1768	1326	382	1926	1083	321
88 po	1895	1185	329	1788	1341	375	1948	1096	314
89 po	1917	1198	321	1809	1356	367	1970	1108	306
90 po	1939	1212	314	1829	1372	359	1992	1121	291
91 po	1960	1225	306	1849	1387	352	2015	1133	283
92 po	1982	1239	298	1869	1402	344	2037	1146	276
93 po	2003	1252	291	1890	1417	337	2059	1158	268
94 po	2025	1265	283	1910	1433	329	—	—	—
95 po	2046	1279	276	1930	1448	321	—	—	—
96 po	2068	1292	268	1951	1463	314	—	—	—
97 po	—	—	—	1971	1478	306	—	—	—
98 po	—	—	—	1991	1494	298	—	—	—
99 po	—	—	—	2018	1509	291	—	—	—
100 po	—	—	—	2032	1524	283	—	—	—
101 po	—	—	—	2052	1539	276	—	—	—
102 po	—	—	—	2073	1555	268	—	—	—

Confirmation de la position du projecteur

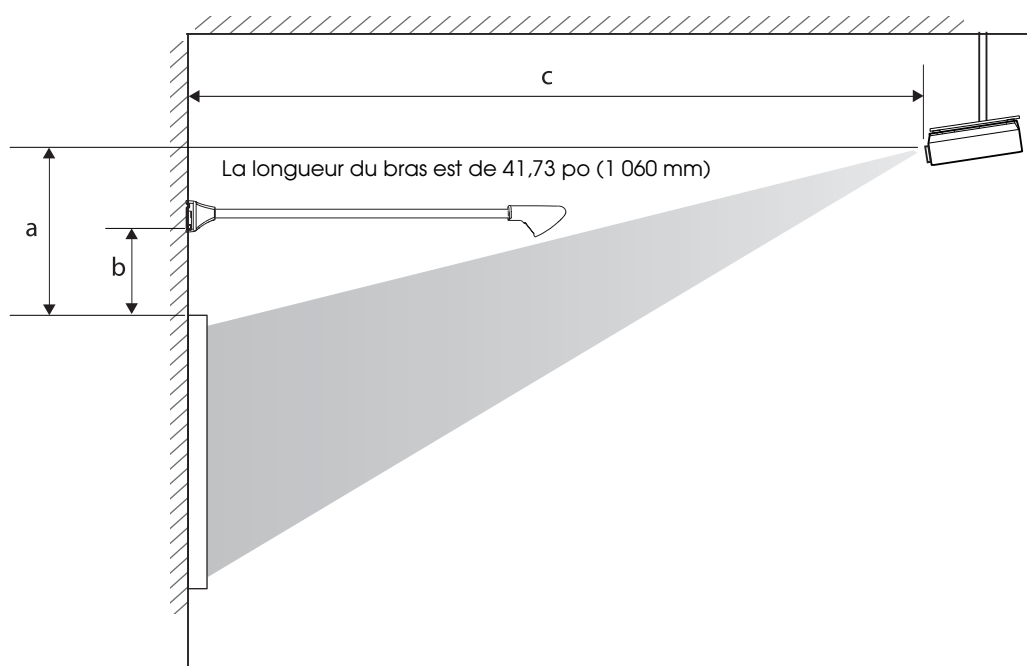
Une fois l'emplacement d'installation du module interactif déterminé, vous pourrez alors déterminer s'il faut repositionner le projecteur pour éviter toute interférence possible.



Vous pouvez monter le module interactif et faire l'essai de l'installation avec votre projecteur en marche. Vous pouvez aussi suivre les étapes ci-dessous pour calculer et déterminer si le projecteur doit être repositionné.

1 Mesurez les distances de projection suivantes :

- distance depuis le haut de la zone de projection jusqu'au bord de l'objectif du projecteur (**a**)
- distance depuis le mur au dessus de l'objectif du projecteur (**c**)



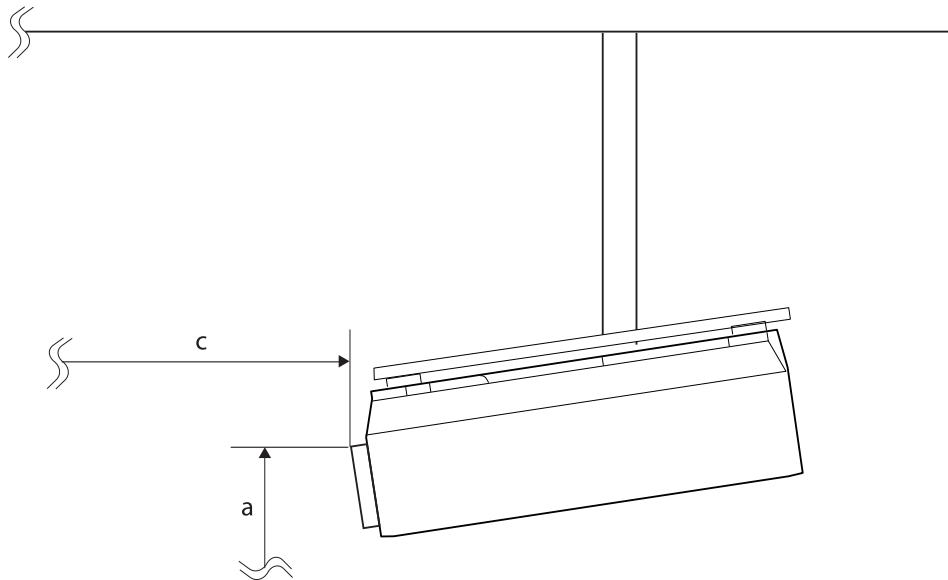
2 Assurez-vous que la distance depuis le dessus de l'objectif du projecteur au haut de l'image (**a**) est de moins de :

$$(b - 5,9 \text{ po}) \times c / 41,73 \text{ po}$$

$$\text{ou } (b - 150 \text{ mm}) \times c / 1\,060 \text{ mm}$$

Si la distance depuis le dessus de l'objectif du projecteur au haut de l'image (**a**) est inférieure à la valeur calculée, le module interactif peut alors être utilisé sans avoir à repositionner le projecteur.

Dans la négative, repositionnez le projecteur pour que la distance depuis le dessus de l'objectif du projecteur au haut de l'image soit inférieure à la valeur calculée. Par exemple, il peut être nécessaire d'abaisser le projecteur ou de l'incliner comme montré :



Remarque

Consultez un spécialiste des projecteurs qualifié si vous devez repositionner votre projecteur.

Exemple de calcul

Par exemple, si votre projecteur est monté à 10 pi (3 m) du mur (distance **c**) pour une image WXGA de 96 po (2 438 mm), le module interactif doit être monté à 15,6 po (396 mm) au-dessus de l'image projetée (distance **b**), selon le tableau de la page 28. La distance depuis le dessus de l'objectif du projecteur au haut de l'image (**a**) devrait être de 30 po (762 mm). Le calcul se ferait comme suit :

$$15,6 \text{ po} - 5,9 \text{ po} \times 120/41,73 \text{ po} = 27,9 \text{ po}$$

$$\text{ou } 396 \text{ mm} - 150 \text{ mm} \times 3\,048/10\,600 \text{ mm} = 709 \text{ mm}$$

La distance **a** (30 po [762 mm]) est supérieure à 27,9 po (709 mm). Vous devriez alors abaisser le projecteur de 2,1 po (53 mm).

Installation du module interactif

Observez les étapes de la présente section pour installer la plaque murale, monter le module interactif, poser le couvercle et centrer le module interactif.

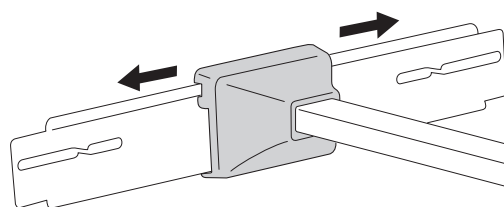
Mise en garde

Assurez-vous d'utiliser le matériel approprié pour soutenir le poids combiné du module interactif et de la plaque murale (environ 5,08 lb/2,3 kg).

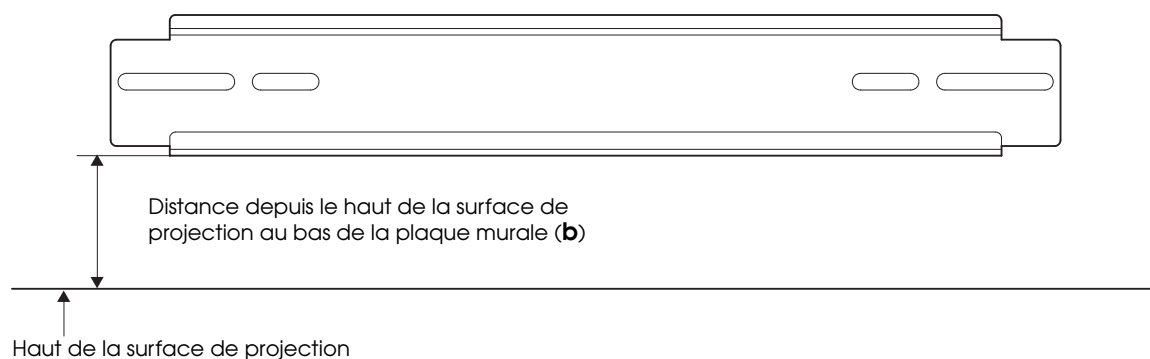
Installation de la plaque murale

Vous pouvez utiliser la plaque murale courte (montant simple) ou la plaque murale longue (montant double), selon les exigences de votre édifice. Les illustrations de la présente section montrent la plaque murale longue (montant double).

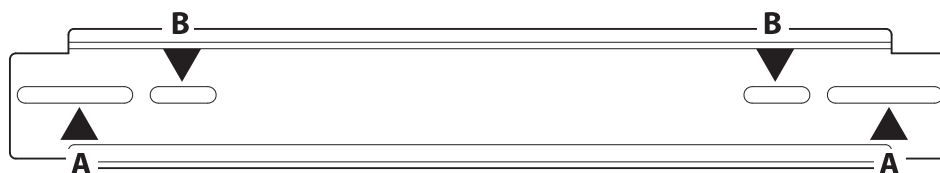
Si vous utilisez la plaque murale courte, veillez à la centrer sur l'horizontale, au-dessus de la zone de projection. Si vous utilisez la plaque longue, vous pouvez la repositionner sur l'horizontale après l'installation, comme montré ci-dessous.



- 1 Confirmez la distance requise entre le haut de la zone d'image et le bas de la plaque murale (**b**). Tracez une ligne sur le mur à cet emplacement, au-dessus du tableau blanc ou de la surface de projection.



- 2 Déterminez l'emplacement des goujons à l'intérieur du mur. Alignez la plaque murale avec la ligne tracée sur le mur et assurez-vous d'aligner les trous (**A** ou **B**) de la plaque murale avec les goujons. Marquez la position des trous de montage sur le mur.

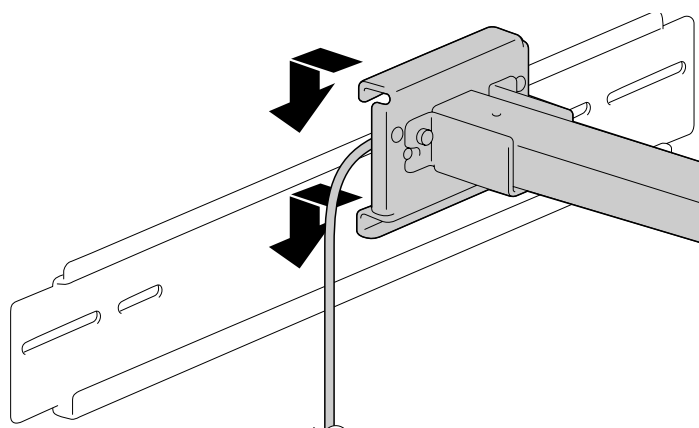


- 3 Percez des trous dans le mur aux emplacements requis.
- 4 En utilisant des ancrages ou des vis à bois à tête carrée offerts dans le commerce, montez la plaque murale au mur.

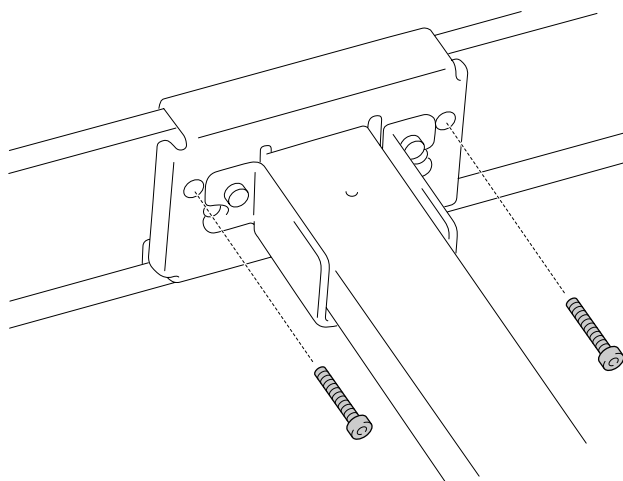
Montage du module interactif

Avant de monter le module interactif, notez le numéro de série indiqué sur le bras. Inscrivez-le à la page 37 du présent guide pour y référer en cas de besoin d'assistance technique.

- 1 Montez le module interactif sur la plaque murale et positionnez le câble USB comme montré. Vous pouvez acheminer le câble à gauche ou à droite. Veillez à ne pas coincer le câble pendant le montage du module sur la plaque murale.

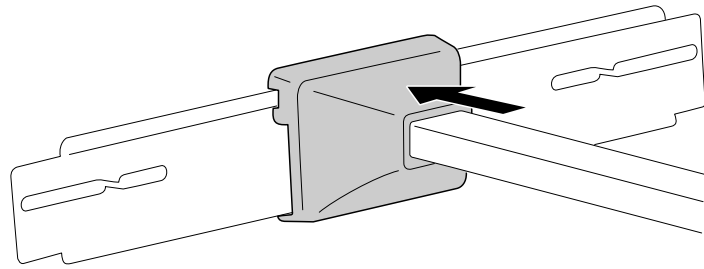


- 2 Fixez le module interactif à la plaque murale en utilisant les deux boulons et la clé hexagonale fournis. Ne serrez pas les boulons avant d'avoir centré le module interactif avec la zone d'image.



- 3 Si vous avez installé la plaque murale longue, déplacez le bras sur l'horizontale pour positionner le module interactif au-dessus du centre de la zone de projection ou du tableau blanc.
- 4 Serrez les boulons en utilisant la clé hexagonale fournie.

- 5 Coulez le couvercle sur la plaque murale, comme montré.



Remarque

Veillez à acheminer le câble USB autour du tableau blanc ou de la zone d'image. Un système de gestion des câbles en option est disponible auprès d'Epson (n° de pièce ELPCCK01).

- 6 Pour fixer le couvercle de plaque de support, suivez les directives fournies avec le couvercle.
- 7 Pour un rangement pratique et sécuritaire des crayons, fixez le rangement pour crayons au tableau blanc ou au mur (boulons non fournis).

Utilisation du module interactif

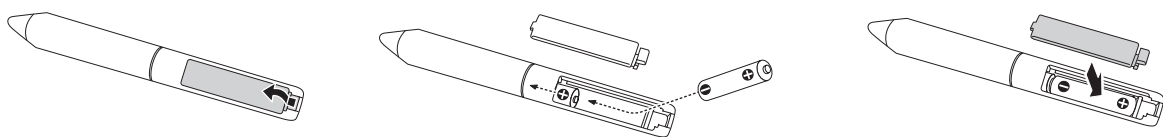
Une fois le module interactif monté au mur, vous pouvez raccorder le câble USB à votre ordinateur et utiliser les crayons interactifs. Pour des directives détaillées et des conseils de dépannage, consultez le *Guide de l'utilisateur ELPIU01* électronique.

Avant de pouvoir utiliser le module interactif, observez les étapes suivantes :

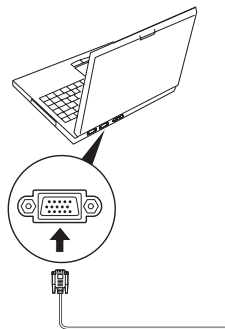
- 1 Installez le pilote Easy Interactive Driver sur votre ordinateur avec le CD Epson Projector Software for Easy Interactive Function.

Vous pouvez aussi installer le logiciel d'annotation TeamBoard Draw.

- 2 Installez les piles dans les crayons, comme montré. Vous pouvez utiliser des piles alcalines ou des piles rechargeables; ne mélangez pas les deux types de pile.



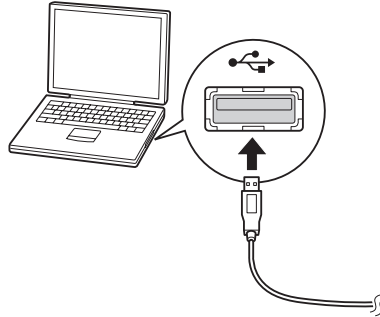
- 3 Raccordez votre ordinateur au projecteur et projetez une image.




Remarque

Si vous projetez sur un tableau blanc, l'image peut ne pas remplir toute la surface du tableau, en fonction de sa taille et de son rapport hauteur/largeur.

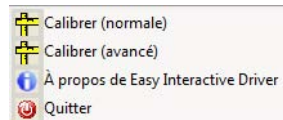
- 4 Raccordez votre ordinateur au module interactif en utilisant le câble USB. Si le câble n'est pas assez long pour atteindre votre ordinateur, vous aurez besoin d'un câble de rallonge USB (non fourni).



- 5 Lancez le pilote Easy Interactive.

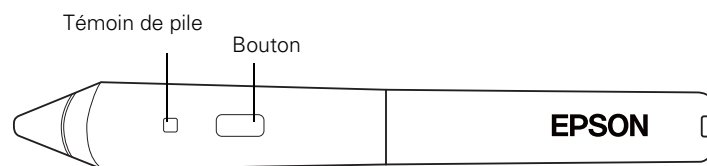
Cliquez sur l'icône  dans le coin inférieur droit de l'écran (Windows®) ou sur le Dock (Mac OS®).

- 6 Sélectionnez **Calibrer (normale)** ou **Calibrer (avancé)**.



Le calibrage normal est plus rapide et convient à la plupart des situations (à moins que vous prévoyiez travailler avec des images très détaillées).

- 7 Suivez les directives à l'écran pour effectuer le calibrage. Veillez à toucher chaque point dès son affichage.
- 8 Utilisez le crayon comme une souris en le tapant sur l'image projetée.





- Pour une performance optimale, tenez le crayon à un angle (comme un crayon normal), plutôt que perpendiculairement par rapport au tableau.
- Pour un clic gauche, tapez le tableau. Tapez deux fois pour double-cliquer.
- Pour un clic droit, tapez tout en appuyant sur le bouton de crayon.
- Pour cliquer et glisser, tapez et glissez avec le crayon.

Résolution des problèmes

Consultez les sections suivantes pour obtenir des solutions à des problèmes courants. Consultez le *Guide de l'utilisateur ELPIU01* électronique pour obtenir plus d'information.

Problèmes avec les crayons interactifs

- Assurez-vous que le câble USB est bien raccordé au module interactif et à l'ordinateur. Déconnectez puis reconnectez le câble dans votre ordinateur.
- Si vous ne voyez pas l'icône de crayon  sur votre barre des tâches (Windows) ou sur le Dock (Mac OS), procédez comme suit :

Windows : Sélectionnez  ou Démarrer > Tous les programmes ou Programmes > EPSON Projector > Easy Interactive Driver.

Mac OS : Ouvrez le dossier Applications, puis sélectionnez l'icône Easy Interactive Driver.

- Si un X rouge apparaît sur l'icône du crayon, l'ordinateur et le module interactif ne sont pas connectés correctement. Retirez et reconnectez le câble USB.
- Assurez-vous que les piles du crayon sont suffisamment chargées. Si le témoin du crayon ne passe pas au vert lorsque vous appuyez sur le bouton, vous devez remplacer les piles.
- Assurez-vous que rien ne bloque le signal entre le crayon et le module interactif. Même si vous créez une ombre sur l'image projetée, vous devriez tout de même être en mesure d'utiliser le crayon interactif.
- Si le crayon présente des à-coups ou est difficile à utiliser, déplacez-vous sur le côté pour éviter de bloquer le signal au module interactif.
- Réduisez l'éclairage de la pièce et éteignez les lampes fluorescentes. Assurez-vous que la surface de projection et le module interactif ne sont pas exposés à la lumière directe du soleil ou à d'autres sources d'éclairage intense.
- Pour une utilisation plus facile, tenez le crayon à un angle par rapport à la surface de projection.
- Si la position du crayon n'est pas précise, il peut être nécessaire de le recalibrer (consultez le *Guide de l'utilisateur ELPIU01* électronique pour de plus ample information).

Problèmes de piles

- Si les témoins du chargeur de piles ne s'allument pas ni ne clignotent lorsque vous le branchez, assurez-vous d'avoir retiré la bande en carton du chargeur et inséré les batteries correctement. Consultez la feuille de directives fournies avec le chargeur de piles.

Comment obtenir de l'aide

Epson offre les services de soutien technique suivants :

Sur Internet

Visitez le site Web de soutien d'Epson au www.epson.ca/support et sélectionner votre produit pour obtenir des solutions à des problèmes courants. Vous pouvez y télécharger des logiciels et de la documentation en français, consulter une foire aux questions et des conseils de dépannage, ou envoyer vos questions par courriel à Epson.

Pour parler à un représentant du soutien technique

Pour utiliser l'assistance technique Epson PrivateLine, composez le 1 800 637-7661 et entrez le NIP indiqué sur votre carte Epson PrivateLine. Il s'agit du moyen le plus rapide de parler directement à un représentant Epson. Ce service est offert gratuitement de 6 h à 18 h, heure du Pacifique, du lundi au vendredi, pendant toute la durée de votre garantie.

Vous pouvez également parler à un spécialiste en matière de projecteurs en composant le numéro suivant : (905) 709-3839, de 6 h à 18 h, heure du Pacifique, du lundi au vendredi.

Les jours et les heures de soutien peuvent être modifiés sans préavis. Des frais d'interurbain peuvent s'appliquer.

Avant de communiquer avec Epson, ayez les informations suivantes sous la main:

- Nom du produit (Module interactif IU-01 BrightLink Solo)
- Numéro de série du produit (sur le bras du module interactif)
- Preuve d'achat et date d'achat
- Configuration informatique ou vidéo
- Description du problème

Soutien technique pour les logiciels

- Si vous avez besoin d'aide pour le logiciel TeamBoard Draw, communiquez avec Epson tel que décrit ci-avant. Plus plus d'information sur le logiciel TeamBoard et les produits, visitez le site Web suivant :

www.teamboard.com

- Si votre module interactif inclut RM Easiteach et que vous avez besoin d'aide, composez le 1 866 728-6758 ou visitez l'un des sites Web de soutien suivants :

www.rmeducation.com/support/et ou www.rmeducation.com/easiteach

- Pour les problèmes avec le pilote Easy Interactive Driver, veuillez communiquer avec Epson tel que décrit ci-avant.

Achat de fournitures et d'accessoires

Vous pouvez vous procurer des accessoires auprès d'un revendeur agréé Epson. Composez le 1 800 463-7766 pour les coordonnées du revendeur le plus proche. Vous pouvez acheter en ligne à www.epson.ca.

Garantie limitée

Éléments couverts par la garantie : Epson America, Inc. (« Epson ») garantit à l'acheteur original du produit Epson couvert par la présente garantie limitée, que le produit, s'il est acheté à l'état neuf et utilisé au Canada, aux États-Unis ou au Puerto Rico, sera exempt de défaut de fabrication et de vice de matériau pendant une durée de deux (2) ans à compter de la date d'achat d'origine. Pour toute intervention au titre de la garantie, vous devez fournir la preuve de la date d'achat d'origine.

Intervention d'Epson pour remédier aux problèmes : Si votre produit Epson a besoin d'être réparé au cours de la période de garantie limitée, veuillez communiquer avec Epson au numéro de téléphone indiqué à la fin de la présente déclaration et ayez sous la main le modèle, le numéro de série et la date d'achat d'origine. Epson pourra, à son choix, réparer ou remplacer l'appareil défectueux sans frais de pièces ou de main d'œuvre. Lorsqu'une intervention au titre de la garantie nécessite l'échange du produit ou d'une pièce, l'article remplacé devient propriété d'Epson. Le produit ou la pièce de rechange pourront être neufs ou remis à neuf selon les normes de qualité d'Epson et, au choix d'Epson, le produit de remplacement peut être un autre modèle de type et de qualité semblables. La responsabilité d'Epson pour le remplacement du produit couvert par la présente garantie ne peut dépasser le prix de vente d'origine du produit couvert. Les produits et pièces de rechange sont couverts pour la période de garantie restante du produit couvert par la présente garantie limitée.

Ce qui n'est pas couvert par cette garantie : Cette garantie ne s'applique qu'aux États-Unis, au Canada et au Puerto Rico dans le contexte d'une utilisation normale. Une utilisation vingt-quatre heures sur vingt-quatre ou toute autre utilisation continue ou excessive n'est pas considérée comme une utilisation normale. Cette garantie ne couvre pas les consommables. La présente garantie n'est pas transférable. Epson ne sera pas tenue d'effectuer d'intervention au titre de la garantie lorsque l'étiquette ou le logo Epson, le numéro de série ou la plaque signalétique ont été enlevés de l'appareil. Epson ne sera pas tenue d'effectuer d'intervention au titre de la garantie si le produit n'est pas correctement entretenu ou ne fonctionne pas correctement en raison d'une mauvaise utilisation, d'une utilisation abusive, d'une installation incorrecte, d'une négligence, d'avaries lors du transport, de dommages causés par un incendie, une inondation, la foudre, une surtension électrique, des problèmes logiciels, une interaction avec des produits de marque autre qu'Epson ou d'une intervention effectuée par un tiers autre qu'Epson ou un prestataire de service Epson agréé. Les frais d'affranchissement, d'assurance ou d'expédition engagés pour faire réparer votre produit Epson au titre de la garantie avec retour en atelier seront à votre charge. Epson défraiera tous les frais de transport si vous choisissez d'envoyer votre appareil à Epson pour effectuer les réparations. Si une anomalie déclarée ne peut être identifiée ou reproduite, les frais engagés seront à votre charge.

CE QUI PRÉCÈDE CONSTITUE LA SEULE GARANTIE ET EXCLUT TOUTE AUTRE GARANTIE, EXPRESSE OU IMPLICITE, Y COMPRIS, MAIS SANS S'Y LIMITER, TOUTE GARANTIE IMPLICITE DE QUALITÉ MARCHANDE, DE NON-VIOLATION OU D'APTITUDE À UNE FIN PARTICULIÈRE. CERTAINES LOIS N'AUTORISENT PAS L'EXCLUSION DES GARANTIES IMPLICITES. SI CES LOIS S'APPLIQUENT À VOUS, TOUTES LES GARANTIES EXPRESSES OU IMPLICITES SE LIMITENT À LA PÉRIODE DE GARANTIE DÉFINIE CI-DESSUS. SAUF DISPOSITIONS CONTRAIRES, TOUTE DÉCLARATION OU GARANTIE FAITE PAR UNE AUTRE PERSONNE OU SOCIÉTÉ EST NULLE. EN CAS D'ÉCHEC DU RECOURS CI-DESSUS, LA SEULE RESPONSABILITÉ D'EPSON SERA LIMITÉE À UN REMBOURSEMENT DU PRIX PAYÉ POUR LE PRODUIT EPSON COUVERT PAR LA PRÉSENTE GARANTIE LIMITÉE. SAUF DISPOSITIONS CONTRAIRES DANS CETTE GARANTIE ÉCRITE, NI EPSON AMERICA, INC. NI SES FILIALES NE POURRONT ÊTRE TENUES RESPONSABLES EN CAS DE PERTE, INCONVÉNIENTS OU DOMMAGES, Y COMPRIS LES DOMMAGES DIRECTS, SPÉCIAUX, ACCESSOIRES OU INDIRECTS DÉCOULANT DE L'UTILISATION OU DE L'IMPOSSIBILITÉ D'UTILISATION DU PRODUIT

EPSON, QUE CE SOIT À LA SUITE DU NON-RESPECT DE LA GARANTIE OU D'UNE AUTRE THÉORIE JURIDIQUE.

Au Canada, les garanties englobent les garanties et les conditions.

Certains territoires n'autorisant pas les limitations qui s'appliquent à la durée d'une garantie implicite et d'autres n'autorisant pas l'exclusion ou la limitation des dommages accessoires ou indirects, il est possible que les limitations et exclusions ci-dessus ne s'appliquent pas à vous. La présente garantie vous donne des droits juridiques spéciaux auxquels peuvent s'ajouter d'autres droits pouvant varier d'un territoire à l'autre.

Pour trouver le revendeur Epson autorisé le plus près, visitez notre site Web à www.epson.ca.

Pour obtenir les coordonnées du centre de service agréé Epson le plus près de vous, veuillez visiter le site Web www.epson.ca/support.

Pour contacter Epson Connection^{MS}, composez le 1 800 637-7661 + NIP ou (562) 276-4394 aux É.-U. et le (905) 709-3839 au Canada ou écrivez à Epson America, Inc., P.O. Box 93012, Long Beach, CA 90809-3012.

Avis sur les droits d'auteur

Tous droits réservés. Il est interdit de reproduire, de conserver dans un système central ou de transmettre le contenu de cette publication sous quelque forme et par quelque moyen que ce soit – reproduction électronique ou mécanique, photocopie, enregistrement ou autre – sans la permission écrite préalable de Seiko Epson Corporation. Les renseignements contenus dans le présent guide concernent uniquement ce produit Epson. Epson ne peut être tenue responsable de l'utilisation de ces renseignements pour faire fonctionner d'autres équipements.

Ni Seiko Epson Corporation ni ses filiales ne sont responsables vis-à-vis de l'acheteur de ce produit ou de tierces parties en cas de dommages, de pertes, de frais ou de dépenses engagées par l'acheteur ou les tierces parties par suite : d'un accident ou d'une mauvaise utilisation de ce produit ou de modifications, réparations ou altérations non autorisées de ce produit ou (sauf pour les États-Unis) du non-respect des directives de fonctionnement et d'entretien fournies par Seiko Epson Corporation.

Seiko Epson Corporation décline toute responsabilité en cas de dommages ou de problèmes découlant de l'utilisation d'options ou de produits consommables autres que les produits désignés comme produits Epson d'origine ou comme produits approuvés pour Epson par Seiko Epson Corporation.

Marques de commerce

Epson est une marque déposée et Epson Exceed Your Vision est un logo déposé de Seiko Epson Corporation.

BrightLink Solo est une marque de commerce d'Epson America, Inc.

Avis général : Les autres noms de produit figurant dans le présent document ne sont cités qu'à titre d'identification et peuvent être des marques de commerce de leurs propriétaires respectifs. Epson renonce à tous les droits associés à ces marques.

L'information contenue dans ce guide peut être modifiée sans préavis.

© 2010 Epson America Inc. 9/10

EPSON[®]
EXCEED YOUR VISION

CPD-28137
Printed in USA
Imprimé aux États-Unis