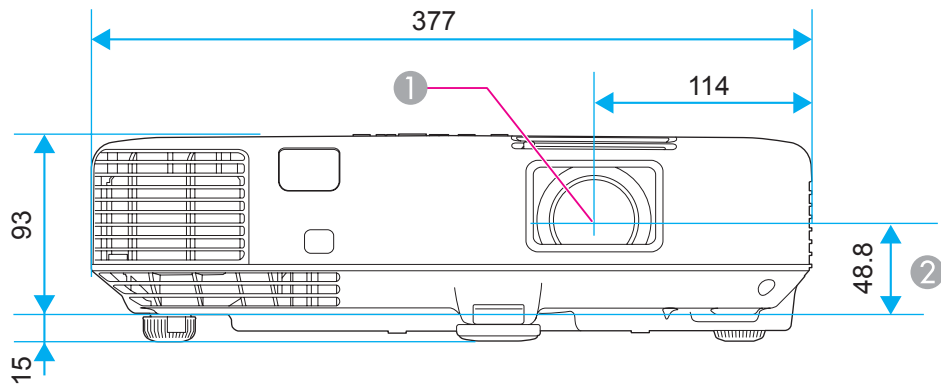


Units: mm



- ① Center of lens
- ② Distance from center of lens to suspension bracket fixing point

