

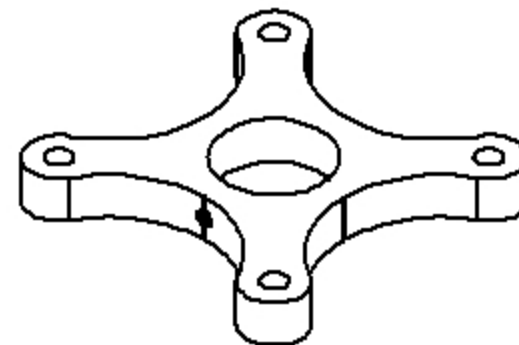
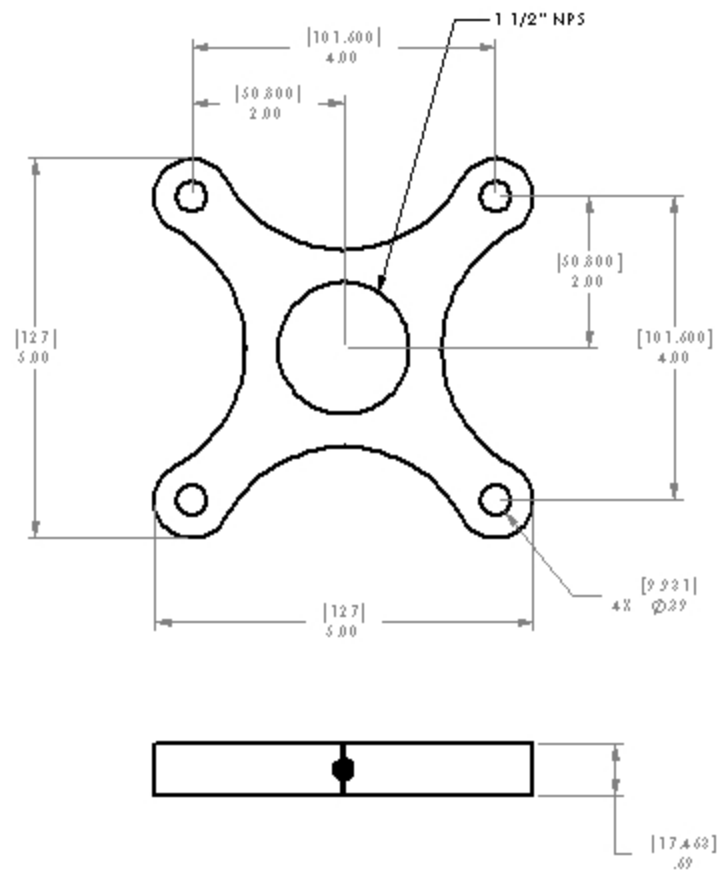
CHIEF MANUFACTURING INC.
MOUNT ORDER NUMBER RPMX-XXXX
PHONE: 1-800-582-6480

THE INFORMATION AND DESIGNS CONTAINED IN THIS DRAWING ARE CONFIDENTIAL AND THE PROPRIETARY PROPERTY OF CHIEF MFG., INC. NEITHER THIS DESIGN NOR ANY INFORMATION CONTAINED IN THIS DRAWING MAY BE REPRODUCED OR DISCLOSED TO OTHERS WITHOUT THE EXPRESS WRITTEN CONSENT OF CHIEF MFG., INC.


CHIEF MANUFACTURING, INC.
 401 PACIFIC CREST RD. SUITE 200 SAUVAGE, WA 98178
 1-800-582-6480 FAX 1-877-44-2418

CUSTOMER PRINT
 ASSEMBLY, RPA ELITE SERIES
 RPMX-XXXX LOCKING VERSION

SET DWG NO.
 B RPMX-XXXX



CHIEF MANUFACTURING INC.
ORDER NUMBER IS CMA-101
PHONE: 1-800-582-6480

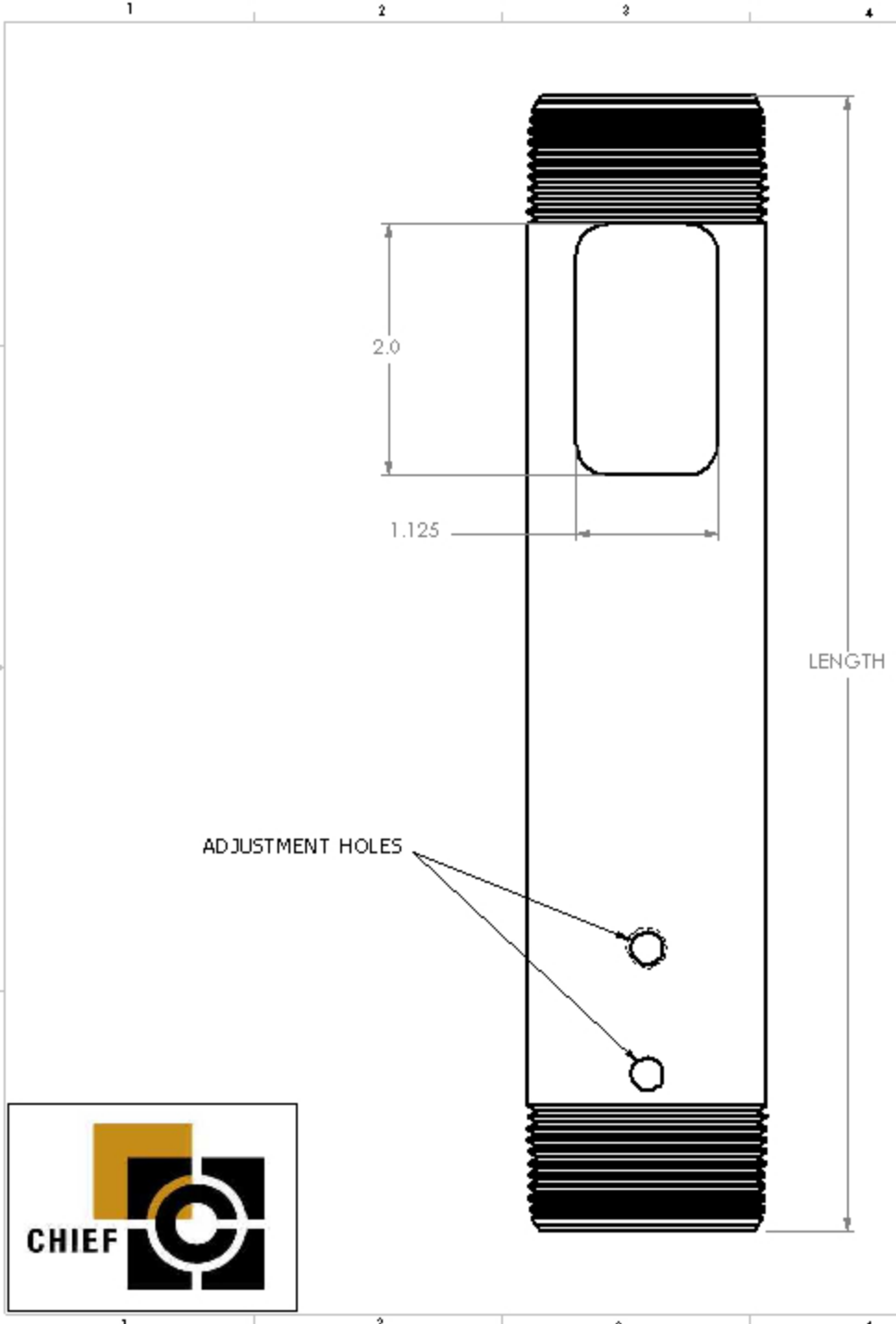
THE INFORMATION AND DESIGNS CONTAINED
IN THIS DRAWING ARE CONFIDENTIAL AND THE
PROPRIETARY PROPERTY OF CHIEF MFG., INC.
NEITHER THIS DESIGN NOR ANY INFORMATION
CONTAINED IN THIS DRAWING MAY BE
REPRODUCED OR DISCLOSED TO OTHERS
WITHOUT THE EXPRESS WRITTEN CONSENT OF
CHIEF MFG., INC.

CHIEF MANUFACTURING, INC.
12800 HWY 112 SOUTH ST 500-SALVAGE HP 56378
14005629440-140147744-1414

III 11

CUSTOMER PRINT
IMPOSSIBLE CEILING PLATE
CMA-101

REV DWG NO
B CMA-101



TO ORDER CHIEF PRODUCTS CALL 1-800-582-6480

WANT TO LEARN MORE ABOUT CHIEF AND IT'S PRODUCTS? CHECK OUT WWW.CHIEFMFG.COM

ADJUSTMENT HOLES ARE AVAILABLE ON ALL PIPES $\geq 6"$ AND WORK WITH ALL CHIEF CMS ADJUSTABLE PIPES AND CMA PIPE ACCESSORIES

THE ACCESS SLOT IS AVAILABLE ON ALL PIPES $\geq 9"$

CMS FIXED LENGTH PIPES COME IN MANY DIFFERENT SIZES. PLEASE REFERENCE WWW.CHIEFMFG.COM FOR THE MOST UP TO DATE LIST OF LENGTHS AND COLORS AVAILABLE.

CMS FIXED LENGTH PIPES WILL HAVE MODEL NUMBERS SIMILIAR TO BELOW:

- CMS084 --> A BLACK 84" FIXED LENGTH PIPE
- CMS009S --> A SILVER 9" FIXED LENGTH PIPE
- CMS012W --> A WHITE 12" FIXED LENGTH PIPE



THE INFORMATION AND DESIGNS CONTAINED IN THIS DRAWING ARE CONFIDENTIAL AND THE PROPRIETARY PROPERTY OF CHIEF MFG., INC. NEITHER THIS DESIGN NOR ANY INFORMATION CONTAINED IN THIS DRAWING MAY BE REPRODUCED OR DISCLOSED TO OTHERS WITHOUT THE EXPRESS WRITTEN CONSENT OF CHIEF MFG., INC.

 CHIEF <small>MANUFACTURING, INC.</small> <small>10000 W. 10TH AVENUE, DENVER, CO 80231</small> <small>303.440.1100</small>	TITLE CMS FIXED LENGTH PIPES
	BY DATE B CMS FIXED LENGTH PIPES

TECH DRAWING - CMS FIXED LENGTH PIPES

