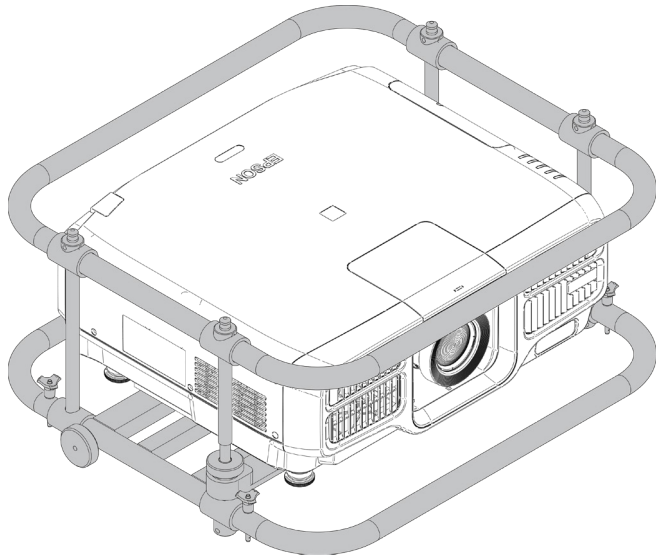


INSTALLATION MANUAL

ELPMB50



Frame for Epson projectors

Epson EB-L1100
Epson EB-L1200
Epson EB-L1300
Epson EB-L1405
Epson EB-L1500
Epson EB-L1505

Safety instructions	1
Product description	5
Installing the projector in the frame	6
Stacking projections	7
Maximum stacking information	7
Adjustment options	8
Dimensions & weight	9

Only a qualified technician should install this product.

Read these instructions carefully before installing the ELPMB50 projector frame. Please also read the product manual of the specific projector carefully.

These instructions must always be handed over to the installing person.

SAFETY INSTRUCTIONS





Dear customer,
for your safety, read all the instructions in this installation manual before using this product. Incorrect handling that ignores instructions in this installation manual could damage this product or could result in personal injury or property damage. Keep this installation manual at hand for future reference.

Model number: **ELPMB50**

This frame is DGUV V17 (BGV-C1) certified.
Please consider the valid laws at the place of event.











SAFETY INDICATIONS

The documentation and this product use graphical symbols to show how to use this product safely. The indications and their meaning are as follows. Make sure you understand them properly before reading the guide.

Symbol	Explanation
 Warning	This symbol indicates information that, if ignored, could result in personal injury or even death due to incorrect handling.
 Caution	This symbol indicates information that, if ignored, could result in personal injury or physical damage due to incorrect handling.
	Indicates actions that must not be performed.
	Indicates actions that should be performed.







SAFETY INSTRUCTIONS

SAFETY PRECAUTIONS FOR INSTALLATION

 Warning	
Follow the instructions in this guide when installing this product. If the instructions are not followed, this product may fall, resulting in personal injury or an accident.	
Do not install this product in an unstable location. Make sure the installation location is strong enough to support the weight of the projector and this product.	
Do not use adhesives, lubricant, oil, and so on when securing the screws. If you use adhesives on the mount fixing points to prevent the screws from loosening, or if you use things such as lubricants or oils on the projector, the projector case may crack and cause the projector to fall, resulting in personal injury or property damage.	
This product is for portrait projection or stacked projection only. Do not attach any devices other than the projector. Otherwise this product may be damaged; if the projector falls, it could cause death or personal injury.	
This product should be installed by at least two qualified service personnel. When loosening screws during installation, be careful not to drop this product. If this product or the projector falls, it could cause death or personal injury.	
After making adjustments, make sure you tighten all of the screws. Otherwise, the product may fall and cause personal injury or property damage.	
Wear non-slip gloves when moving and installing. If this product falls, it could cause personal injury or property damage.	
Do not cover the projector's air intake vent or air exhaust vent. If either of the vents is covered, the internal temperature could rise and cause a fire.	
Make sure not to exceed max. weight loads for ceiling mounts. For suspended installations, use only designated hanging accessories, like TH-SHORTY-150-8 for a max. weight load of 150 kg (330.69 lb).	









SAFETY INSTRUCTIONS

SAFETY PRECAUTIONS FOR INSTALLATION


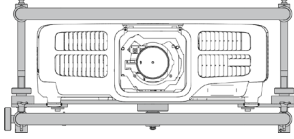

 Caution	
Do not install this product in a location subject to temperatures outside the projector's operating range. This may cause malfunctions to occur.	
Do not install the projector in a location where it may be subject to vibrations or shocks.	
When securing the frame with bolts, make sure you do not catch your hand or finger between the bolts and the frame.	
Do not stack more than three projectors in a stacked configuration. The frame could fall and cause an injury.	
With regard to the overall weight of all necessary installation devices, make sure to handle those with at least 2 people.	

SAFETY INSTRUCTIONS

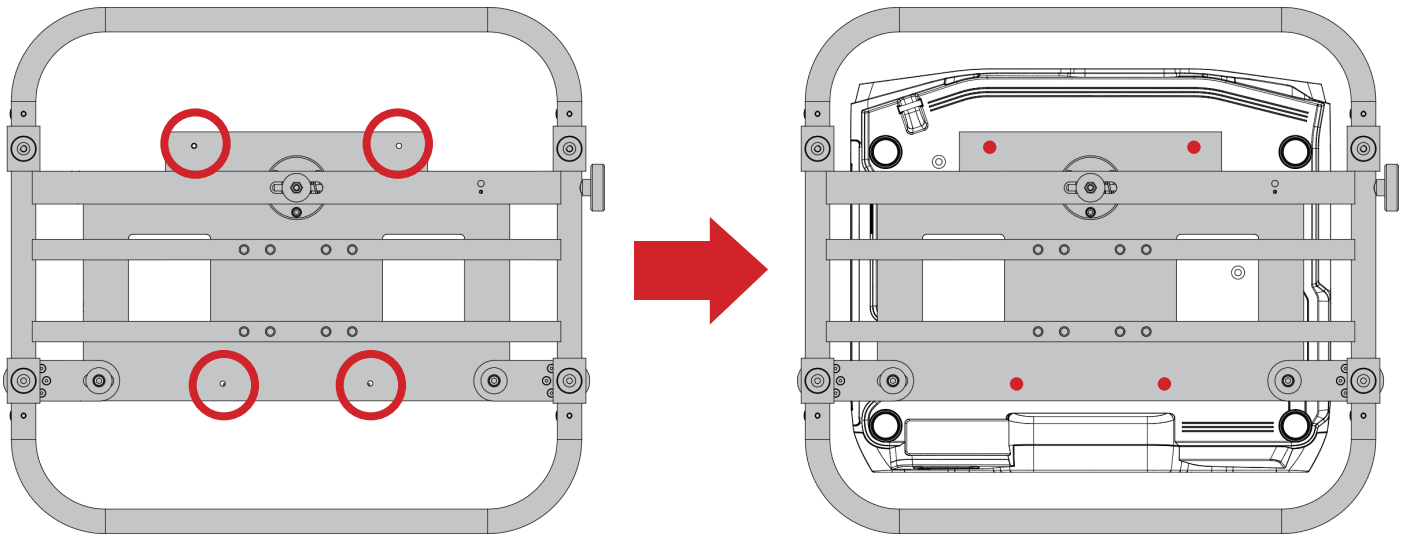
NOTES ON USAGE

 Warning	
Modifying and disassembling should only be performed by qualified service personnel except when explicitly stated. Otherwise, malfunctions or accidents may occur.	
Do not hang from this product. Also do not hang any objects on this product except for the projector. If this product breaks and falls, it could cause death or personal injury.	
Do not stand or sit on this product. Otherwise, the product could be damaged.	
Periodically check that there are no damaged sections or loose screws. If any parts are damaged, stop using the product immediately. If this product or the projector falls, it could cause death or personal injury.	
 Caution	
Do not apply too much force when adjusting this product. Otherwise, the product may break and cause an injury.	
Do not place screws or feet within reach of small children. Children may swallow them by accident. If this happens, contact a doctor immediately.	

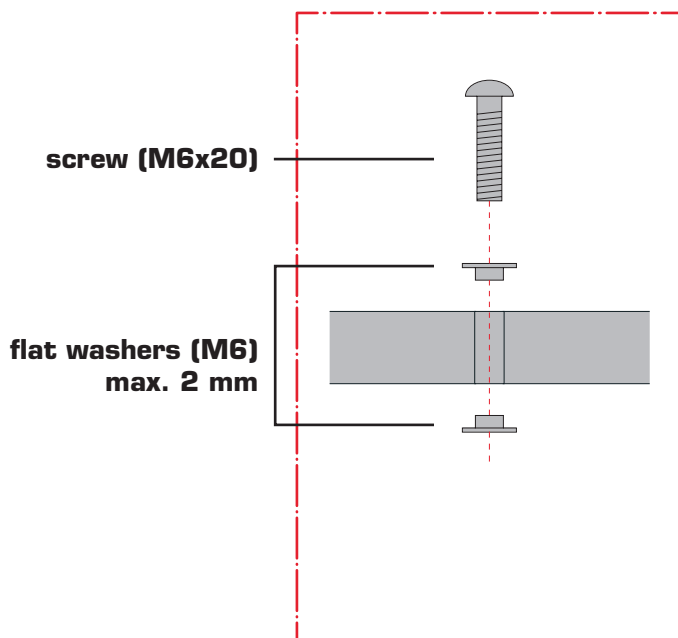
PRODUCT DESCRIPTION

Parts name	Image / Drawing	Purpose	Finished assembly diagram
Frame		Used for projector installation.	
Screws and washers	 <p data-bbox="464 801 692 882">Screws (M6 x 20) x 4 Flat washers (M6) x 8 max. 2mm</p>	Used for securing the projector into the frame.	For tandem assemblies, another separate frame is required.

INSTALLING THE PROJECTOR IN THE FRAME



Place the frame on the projector so that it is aligned with the screw hole positions. (Make sure that the forward/back direction is correct when installing. If the direction is reversed the hole positions will not match.)



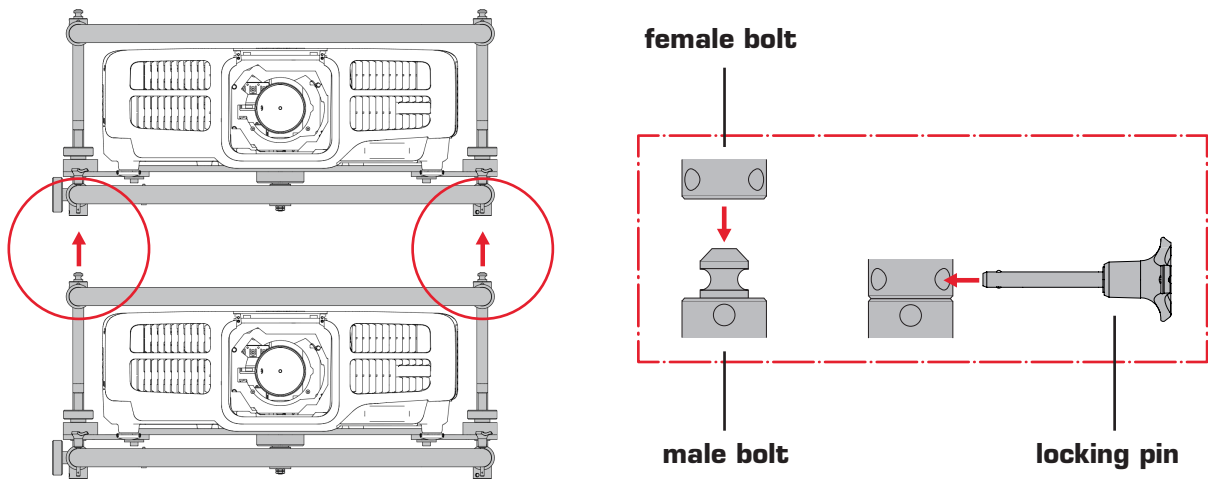
Please make sure to use **ONLY** the correspondent screw holes when installing a projector!

Secure the projector in the frame using the four screws (M6x20) and the eight flat washers (M6).

Do not forget to use the washers as they are responsible for the galvanic isolation.

Torque: 5 ± 0.5 Nm

STACKING PROJECTIONS

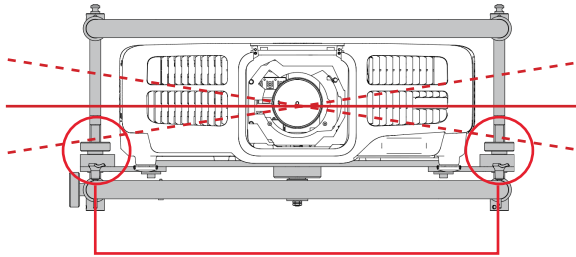


Place the upper framed projector on top of the lower frame projector. Make sure the four male location bolts enter into the correspondent female location bolts. To secure, draw the locking pin through both bolts.

MAXIMUM STACKING INFORMATION

Epson EB-L-Series	
ceiling mount with TH-SHORT-60-6	
ceiling mount with TH-SHORTY-150-8	
table mount	

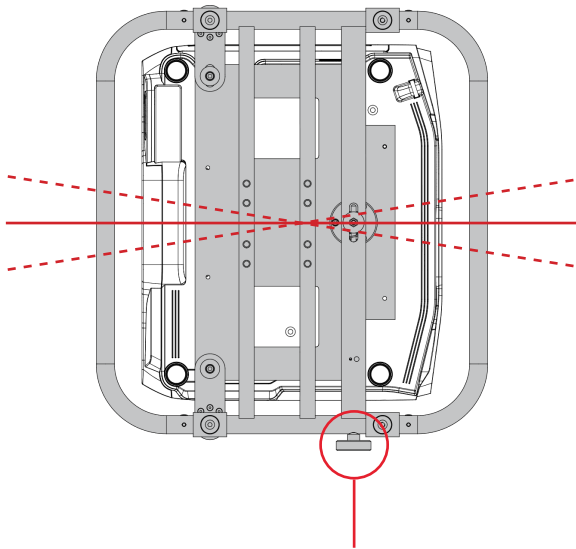
ADJUSTMENT OPTIONS



adjusting screws

TILT ADJUSTMENT

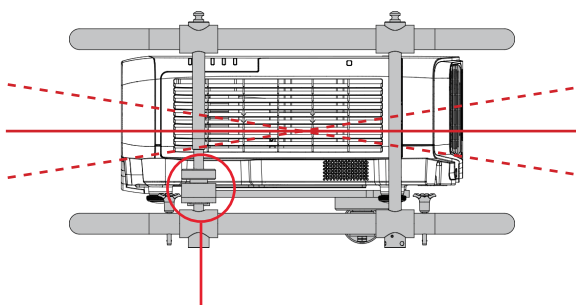
By lifting the front left or the front right corner an adjustment of 3.5 degrees upwards and downwards is possible.



single adjusting screws

HORIZONTAL ADJUSTMENT

By turning the single round adjustment screw, placed on the side of the frame, you can move the back of the projector to the left or to the right by approximately 5 degrees.



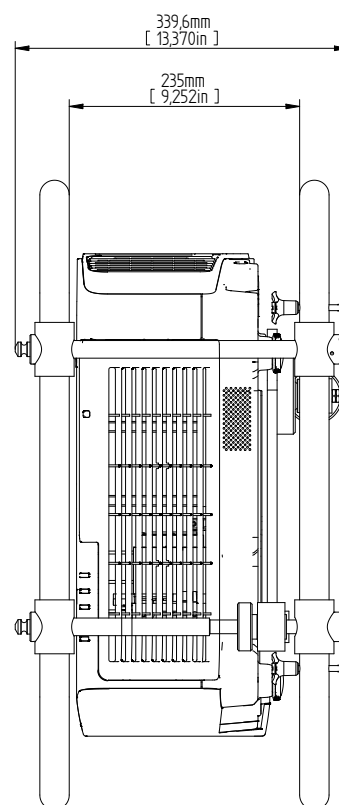
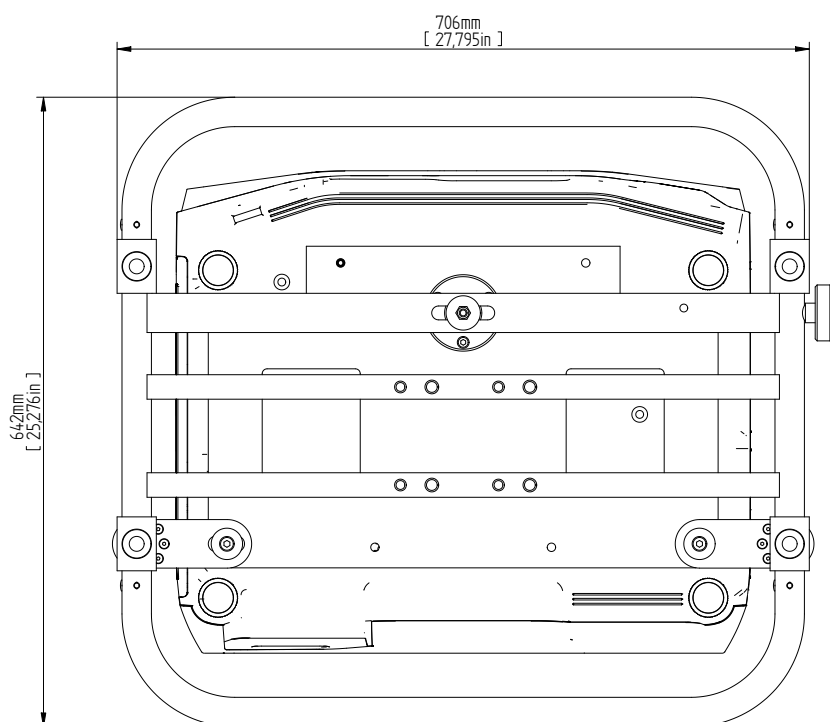
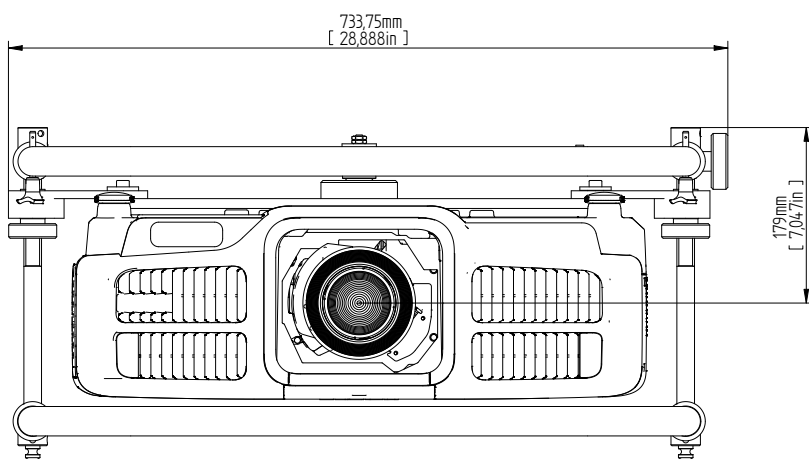
adjusting screws

VERTICAL ADJUSTMENT

Using both adjustment screws on the left and right you can adjust the position of the projector by approximately 5 degrees upwards and 3.5 degrees downwards. You can lower or lift the front left or right corner.

DIMENSIONS & WEIGHT

Weight: 12,50kg



Made in Germany
for



by Sager Metallbearbeitung

www.lang-ag.com

03/17