

Product Support Bulletin

Subject: Power Specifications

Date: 2/7/90
Page: 1 of 2

PSB No: P-0060
Originator: RFB

The following information is a list of the power requirements for the Epson 9 and 24 pin printers and laser printers.

| Product | Voltage | Max. Current Consumption | Power Consumption | BTU/HR |
|------------|---------|--------------------------|-------------------|---------|
| Apex80 | 120V | .7 Amp | 84 VA maximum | 286.69 |
| DFX5000 | 120V | 5.0 Amp | 600 VA maximum | 2047.80 |
| DFX5000 | 220V | 3.0 Amp | 660 VA maximum | 2252.58 |
| EPL6000 | 120V | 6.0 Amp | 720 VA maximum | 2457.36 |
| EX800/1000 | 120V | 1.0 Amp | 120 VA maximum | 409.56 |
| FX850/1050 | 120V | 1.5 Amp | 180 VA maximum | 614.34 |
| FX86e/286e | 120V | 1.0 Amp | 120 VA maximum | 409.56 |
| GQ3500 | 120V | 6.0 Amp | 720 VA maximum | 2457.36 |
| L1000 | 120V | 1.8 Amp | 216 VA maximum | 737.20 |
| LQ500 | 120V | 1.8 Amp | 216 VA maximum | 737.20 |
| LQ510 | 120V | 1.8 Amp | 216 VA maximum | 737.20 |
| LQ1010 | 120V | 1.8 Amp | 220 VA maximum | 750.86 |
| LQ850/1050 | 120V | 2.0 Amp | 240 VA maximum | 819.12 |
| LQ2550 | 120V | 4.2 Amp | 504 VA maximum | 1720.15 |
| LX800 | 120V | .7 Amp | 84 VA maximum | 286.69 |

| Product | Voltage | Max. Current Consumption | Power Consumption | BTU/HR |
|---------|---------|--------------------------|-------------------|--------|
| LX810 | 120V | .7 Amp | 84 VA maximum | 286.69 |
| T750 | 120V | 1.0 Amp | 120 VA maximum | 409.56 |
| T1000 | 120V | .7 Amp | 84 VA maximum | 286.69 |

If the power requirements of a particular Epson printer is not listed please refer to the appropriate User's Manual for the electrical specifications. In the event that the User's Manual is not available, locate the silver label on the back of the Epson printer. This is a reliable source for the electrical requirements. The following formula is used to calculate the electrical power requirements:

VOLTAMPS is equivalent to **WATTS**

VOLTAMPS = Volts * Amps

AMPS = Voltamps/Volts

BTU/HR = Watts * 3.413

Example:

120V * 1A = 120VA

120VA/120V = 1A

120VA is equivalent to 120W

120W * 3.413 = 409.56 BTU/HR

Heat output is rated in BTU/HR.

EPSON


EPSON AMERICA, INC.

INFORMATION

Product Support Bulletin

Subject: Tractor Pin Alignment

Date: 5/15/89
Page: 1 of 1

PSB No: P - 001044
Originator: RP 

The purpose of this bulletin is to insure the proper installation and alignment of the FX-850/1050 and LQ- 850/1050 push tractor assemblies.

There are two possible ways to install the tractor frame on the push tractor assembly. If the frame is installed incorrectly, the tractor belt pins on the two tractors will not be aligned, and the resulting printout appears to be slanted on the page, or the perforated edge will be torn. This is caused by the marks on the tractor shaft holders being 180 degrees 'out of phase.'

When assembling a tractor, there are two grooves in the shaft, and two tabs on the tractor shaft holder. If the pins on both tractor belts are not aligned, it will be necessary to disassemble the tractor, and rotate one tractor shaft holder 180 degrees, to bring it back into alignment with the other shaft holder.

Alignment can be verified by examining the marks in the shaft holders, which will both be in the forward position when properly aligned, as shown in Figure 4- 51 below.

ASSEMBLY POINT

When mounting the tractor assemblies to the shafts, set them so that the marks on the right and left tractor frames are at the same position. Make sure that the pins on the right and left tractor belts are aligned in parallel.

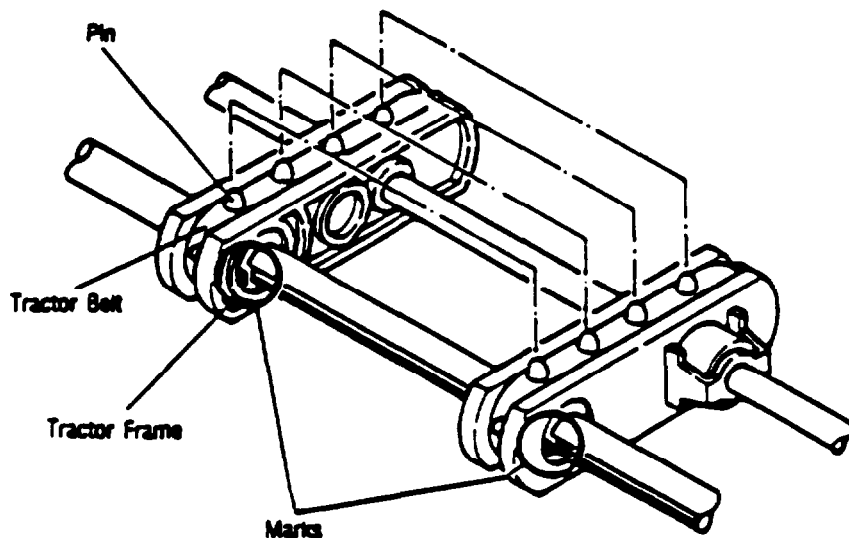


Figure 4-51. Tractor Assembly Phases

| | | |
|-----------------|---------------|--------------|
| PSB NO.: P-0024 | DATE: 8/01/88 | PAGE: 1 of 1 |
|-----------------|---------------|--------------|

SUBJECT: FX-850/1050 UNDOCUMENTED BUFFER FEATURE

The FX-850/1050 dot matrix printers support an important feature that is currently undocumented in the printer's User's manual. The FX-850/1050 printers have the ability to enable or disable the input buffer. This feature is controlled from the printer's front panel by holding down the Load/Eject button during power

The printer will beep once indicating that the buffer is disabled or will beep twice indicating that it is enabled. The condition of the input buffer may be changed back by simply repeating the above operation. The printer's Self Test feature may be used to determine the current setting of the input buffer without changing it. Please refer to the Self Test examples shown below.

```

→ Page Leng... 2-1 OFF
   CSF Mode Invalid 2-2 OFF
   Skip Perforation None 2-3 OFF
   Auto LF Depend on I/F 2-4 OFF
   Input Buffer Valid
   !"$%&'()*+,-./0123456789:;<=>?@ABCDEFGHIJKLMN...
   !"$%&'()*+,-./0123456789:;<=>?@ABCDEFGHIJKLMN...
   !"$%&'()*+,-./0123456789:;<=>?@ABCDEFGHIJKLMN...
   !"$%&'()*+,-./0123456789:;<=>?@ABCDEFGHIJKLMN...
   !"$%&'()*+,-./0123456789:;<=>?@ABCDEFGHIJKLMN...

```

```

→ Page Leng... 2-1 OFF
   CSF Mode Invalid 2-2 OFF
   Skip Perforation None 2-3 OFF
   Auto LF Depend on I/F 2-4 OFF
   Input Buffer Invalid
   !"$%&'()*+,-./0123456789:;<=>?@ABCDEFGHIJKLMN...
   !"$%&'()*+,-./0123456789:;<=>?@ABCDEFGHIJKLMN...
   !"$%&'()*+,-./0123456789:;<=>?@ABCDEFGHIJKLMN...
   !"$%&'()*+,-./0123456789:;<=>?@ABCDEFGHIJKLMN...
   !"$%&'()*+,-./0123456789:;<=>?@ABCDEFGHIJKLMN...

```

Product Support Bulletin

Subject: Epson Dot - Matrix Printer Options and Accessories

Date: 8/1/89
Page: 1 of 2

PSB No: P-0017B
Originator: RFA

9 - PIN DOT MATRIX OPTIONS

| | <u>LX-810</u> | <u>FX-850</u> | <u>FX-1050</u> | <u>DFX-5000</u> |
|----------------------------------|---------------|---------------|----------------|-----------------|
| <u>TRACTOR UNITS</u> | | | | |
| PULL TRACTOR | C800061 | 7311 -A | 7312-A | 8309-A |
| <u>CUT SHEET FEEDERS</u> | | | | |
| SINGLE BIN | C806121 | 7339-A | 7340-A | N/A |
| DOUBLE BIN | N/A | 7346-A | 7348-A | N/A |
| <u>RIBBONS</u> | | | | |
| STANDARD (BLACK) | 8750 | 8750 | 8755 | 8766 |
| <u>INTERFACE BOARDS</u> | | | | |
| SERIAL - 0K BUFFER | 8143 | 8143 | 8143 | 8143 |
| SERIAL - 8K BUFFER | 8148 | 8148 | 8148 | 8148 |
| PARALLEL - 32K BUFFER | 8172 | 8172 | 8172 | 8172 |
| IEEE 488 - 8K BUFFER | 8165 | 8165 | 8165 | 8165 |
| <u>CABLES</u> | | | | |
| STANDARD IBM PARALLEL | C1-9E-A | C1-9E-A | C1-9E-A | C1-9E-A |
| SERIAL DB-25 TO DB-9 | C94-9 | C94-9 | C94-9 | C94-9 |
| SERIAL DB-25 TO DB-25 | C20-9 | C20-9 | C20-9 | C20-9 |
| <u>MISC. PRINTER ACCESSORIES</u> | | | | |
| PRINTER STAND | CPD-552 | CPD-552 | KP - STAND | 8501-A |

(CONT.)

24 - PIN MATRIX OPTIONS

| | <u>LQ-510</u> | <u>LQ-850</u> | <u>LQ-950</u> | <u>LQ-1050</u> | <u>LQ-2550</u> |
|----------------------------------|---------------|---------------|---------------|----------------|----------------|
| <u>TRACTOR UNITS</u> | | | | | |
| PULL TRACTOR | C800061 | 7311 -A | 7313-A | 7312-A | 7314-A |
| <u>CUT SHEET FEEDERS</u> | | | | | |
| SINGLE BIN | C806121 | 7339-A | 7345-A | 7340-A | N/A |
| DOUBLE BIN | N/A | 7346-A | 7347-A | 7348-A | 7343-A |
| <u>RIBBONS</u> | | | | | |
| STANDARD (BLACK) | 7753 | 7753 | 7767 | 7754 | 7762 |
| STANDARD (COLOR) | N/A | N/A | N/A | N/A | 7763 |
| FILM (BLACK) | 7768 | 7768 | 7769 | 7770 | 7764 |
| <u>INTERFACE BOARDS</u> | | | | | |
| SERIAL - 0K BUFFER | 8143 | 8143 | 8143 | 8143 | 8143 |
| SERIAL - 8K BUFFER | 8148 | 8148 | 8148 | 8148 | 8148 |
| PARALLEL - 32K BUFFER | 8172 | 8172 | 8172 | 8172 | 8172 |
| IEEE 488 - 8K BUFFER | 8165 | 8165 | 8165 | 8165 | 8165 |
| <u>CABLES</u> | | | | | |
| STANDARD IBM PARALLEL | C1-9E-A | C1-9E-A | C1-9E-A | C1-9E-A | C1-9E-A |
| SERIAL DB-25 TO DB-9 | C94-9 | C94-9 | C94-9 | C94-9 | C94-9 |
| SERIAL DB-25 TO DB-25 | C20-9 | C20-9 | C20-9 | C20-9 | C20-9 |
| SERIAL DIN-6 TO DB-9 | N/A | CA070 | CA070 | CA070 | N/A |
| SERIAL DIN-6 TO DB-25 | N/A | 8297 | 8297 | 8297 | N/A |
| APPLE][e. DB-25 TO DIN-6 | N/A | 8293 | 8293 | 8293 | N/A |
| APPLE][c. DIN-6 TO DIN-5 | N/A | 8239 | 8239 | 8239 | N/A |
| <u>FONT MODULES</u> | | | | | |
| COURIER | 7400A | 7400A | 7400A | 7400A | 7400A |
| PRESTIGE | 7401A | 7401A | 7401A | 7401A | 7401A |
| SCRIPT | 7402A | 7402A | 7402A | 7402A | 7402A |
| OCR - B | 7403A | 7403A | 7403A | 7403A | 7403A |
| MULTI | 7407-A | 7407-A | 7407-A | 7407-A | 7407-A |
| <u>MISC. PRINTER ACCESSORIES</u> | | | | | |
| WINDOWS DRIVER SOFTWARE | DCB-LQ2 | DCB-LQ2 | DCB - LQ2 | DCB-LQ2 | DCB-LQ2 |
| APPLE MAC LQ SOFTWARE | C842001 | C842001 | C842001 | C842001 | C842001 |
| LQ PATCH SOFTWARE | LQ1 | LQ1 | LQ1 | LQ1 | LQ1 |
| PRINTER STAND | CPD-552 | CPD-552 | KP - STAND | KP - STAND | KP - STAND |

Product Support Bulletin

Subject: Quick Reference for Printer Acoustic Noise Levels

Date: 6/5/91
Page(s): 1 of 2

PSB No: P-0016D
Originator: SLS

Sound intensity is measured in units called Bels (named after Alexander Graham Bell,) or more commonly in tenths of this fundamental unit: decibels. In making noise measurements a weighting network is applied in an attempt to match the frequency response of the instrument to that of the human ear. The most common is the A weighting network, with resulting measurements expressed in dB(A).

The following is a list of current product's noise levels tested in accordance with standards set by the International Standards Organization (ISO). The acoustic noise levels for the 9 pin printers are averages while printing in Near Letter Quality (NLQ) mode using continuous paper and are not guaranteed figures. The acoustic noise levels for the 24 pin printers are averages while printing in Letter Quality (LQ) mode using continuous paper and are not guaranteed figures. The acoustic noise levels for the laser printers are averages while using single sheet paper and are not guaranteed figures.

9 PIN PRINTERS

| MODEL | NOISE LEVEL |
|----------|-------------|
| LX-810 | 56 dB(A) |
| FX-850 | 56 dB(A) |
| FX-1050 | 56 dB(A) |
| DFX-5000 | 55 dB(A) |
| DFX-8000 | 55 dB(A) |

24 PIN PRINTERS

| MODEL | NOISE LEVEL |
|---------|-------------|
| LQ-200 | 55 dB(A) |
| LQ-510 | 56 dB(A) |
| LQ-1010 | 56 dB(A) |
| LQ-850 | 56 dB(A) |

| MODEL | NOISE LEVEL |
|---------|-------------|
| LQ-860 | 55 dB(A) |
| LQ-1050 | 55 dB(A) |
| LQ-2550 | 55 dB(A) |

LASER PRINTERS

| MODEL | NOISE LEVEL |
|----------|-------------|
| EPL-7000 | 50 dB(A) |
| EPL-7500 | 50 dB(A) |