

Important Notice

The FX-850 and FX-1050 have changed, but the model names have not been changed. This *Product Information Guide* is supplementary to the previous FX-850/1050 *Product Information Guide* for new models.

The product codes for the previous and current versions of the FX-850/1050 are as follows:

	Previous	Current
FX-850	XXXPA	P182PB
FX-1050	XXXPA	P12PB

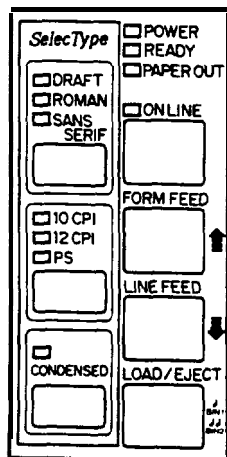
Also, the version number printed at the beginning of a self-test begins with MP for the previous version and PP for the current version.

Note: Add this addendum to the previous FX-850/1050 *Product Information Guide* do not discard the old one.

The Control Panel

SelecType

The settings you select using the SelecType panel remain valid even after you turn off, reset, or initialize the printer.



FONT
Press this button to select **draft**, near letter quality Roman, or near letter quality Sans Serif. The indicator light shows which font has been selected.

CHARACTERS PER INCH
Press this button to select the characters per inch (dpi). You can choose 10 CPI, 12 CPI, or PS (proportional). The indicator light shows the selected character spacing.

CONDENSED
Press this button to select either condensed or normal printing. The light is on when the printer is in condensed mode. In this mode, all characters are approximately 60% of their normal width.

Note: Proportional spacing and condensed mode cannot be combined. If you select both, only proportional spacing works.

other control panel features

The control panel also gives you access to several special functions.

Self test
By holding down the FORM FEED or LINE FEED button while you turn on the printer, you can start the printer's self test. This prints out the DIP switch settings and the characters in the printer's ROM (Read Only Memory). See the section on the self test in Chapter 1 for more information.

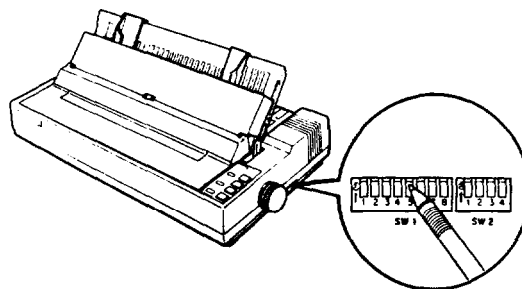
Micro-adjustment
By pressing the FORM FEED and LINE FEED buttons immediately after loading paper or using short tear-off, you can make fine adjustments to the loading and short tear-off positions. See the section on micro-adjustment in Chapter 2 for more information.

Data dump
By holding down both the FORM FEED and LINE FEED buttons while you turn on the printer, you can turn on the data dump mode. This feature allows advanced users to diagnose many problems. See the section on the data dump mode in Chapter 6 for more information.

Input buffer control
The input buffer can be enabled or disabled by turning on the power while pressing the LOAD/EJECT button. The beeper sounds once if the input buffer is disabled, or twice if it is enabled. Use the self test to check the input buffer's current state.

Draft printing speed
The printer can be set to either high-speed draft mode or normal draft mode. Turn on the power while pressing the FONT button. The beeper sounds once if normal draft mode is selected, or twice for high-speed draft mode.

DIP Switch Functions



The tables below describe the DIP switch functions. The page numbers refer you to the page on which each printer feature is described. The shaded settings are the preset factory settings.

DIP Switch 1

SW	Description	ON	OFF	Page
1-1	Default character set	User-defined	ROM	3-7
1-2	Zero character	Slashed	Not slashed	3-7
1-3	Character table	Graphic	Italic	3-7
1-4	Printer mode	IBM emulation	Epson ESC/P®	3-8
1-5	Short tear-off mode	OFF	ON	3-8, 2-15
1-6				
1-7	International character set	See table below		3-9
1-8				

DIP Switch 2

SW	Description	ON	OFF	Page
2-1	Page length	12 inch	11 inch	3-9
2-2	Cut sheet feeder mode	On	Off	3-10
2-3	1-inch skip over perforation	On	Off	3-10
2-4	Automatic line feed	On	Off	3-10

International character sets

Country	SW1-6	SW1-7	SW1-8
USA	On	On	On
France	On	On	Off
Germany	On	Off	On
UK	On	Off	Off
Denmark	Off	On	On
Sweden	Off	On	Off
Italy	Off	Off	On
Spain	Off	Off	Off

Default character set

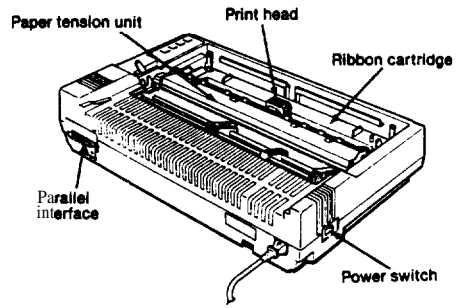
When DIP switch 1-1 is on, the user-defined character set is the default. Userdefined characters are maintained in printer memory even when the power is turned off, so the user-defined character set can be selected simply by setting this switch to on. However, when this switch is on, new user-defined characters cannot be defined. See Chapter 4 for more information on user-defined characters. This switch is effective only in the Epson ESC/P mode.

zero character

When DIP switch 1-2 is on, the printer prints slashed zeroes (0̄). When the DIP switch is off, the printer prints open zeroes (0). This is useful for clearly distinguishing between uppercase O and zero when printing such items as program lists.

Character table

When DIP switch 1-3 is on, the Epson Extended Graphics character table is selected. When it is off, the italics character table is selected. The Epson Extended Graphics character table contains international accented characters, Greek characters, and character graphics for printing liner, corners, and shaded areas. If you have an IBM® computer or an IBM compatible, select the Epson Extended Graphics table when you wish to print the character graphics as they are displayed on the screen. Since the character table setting affects only half of the character table, you can still print text if you have selected the Extended Graphics set. Also, you can still print italics if you use the proper software command. If your printer is in IBM emulation mode (DIP switch 1-4 on), the graphics characters are available no matter which character table you select.



International Character Sets

Selecting an international character set provides you with the characters used in other languages. To obtain the desired international character set, set switches 1-6, 1-7, and 1-8 according to the DIP switch table on page 3-7. The following table shows the characters that differ in each international character set.

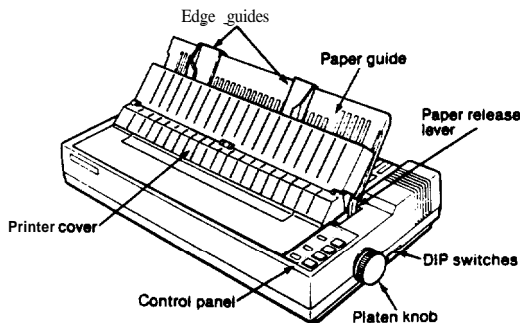
International character sets

	35	36	64	91	92	93	94	96	123	124	125	126
0 USA	#	\$	@	[\]	-	-	{		}	~
1 France	#	\$	à	·	ç	ø	~	~	é	ù	è	~
2 Germany	#	\$	ä	ö	ü	~	~	~	ä	ö	ü	ß
3 UK	£	\$	@	[\]	-	-	{		}	~
4 Denmark I	#	\$	Æ	Ø	Å	~	~	~	æ	ø	å	~
5 Sweden	#	□	Ä	Ö	Å	U	é	æ	ä	ö	å	ü
6 Italy	#	\$	@	·	\	é	~	~	à	ò	è	ì
7 Spain I	ñ	\$	@	·	ñ	¿	~	~	ñ	~	~	~
8 Japan	#	\$	@	[¥]	-	-	{		}	~
9 Norway	#	□	Æ	Ø	Å	U	é	æ	ø	å	ü	~
10 Denmark II	#	\$	Æ	Ø	Å	U	é	æ	ø	å	ü	~
11 Spain II	#	\$	á	í	ñ	¿	é	ü	í	ñ	ó	ú
12 Latin America	#	\$	á	í	ñ	¿	é	ü	í	ñ	ó	ú

The countries numbered 8 through 12 are available only through the ESC R software command. See the Command Summary in Chapter 8. Also, in IBM emulation mode (DIP switch 1-4 on), a character set containing international characters (CG character table 2) is selected whenever any one of DIP switches 1-6, 1-7, or 1-8 is set to off. If all three switches are on, CG character table 1 is selected. See Appendix B.

Page length

When DIP switch 2-1 is on, the page length is set to 12 inches. When it is off, the page length is 11 inches. Other page lengths can be set with the ESC C and ESC C0 commands. See the Command Summary in Chapter 8.



Printer Specifications

Printing

Print method: 9-pin impact dot matrix

Print speed:

Quality	Pitch	Characters/second/line
High-speed draft	10	290
Draft	10	220
	12	264
NLQ	10	45
	12	54

Printing direction:

unidirectional for graphics

1/6" or 1/8" or program
of 1/216th of an inch

Paper feed speed:

Single sheet: 48 ms/line (3.6' per sec)

Printable columns:

Character pitch	Maximum printed characters	
	FX-850	FX-1050
10 pitch	80	136
10 pitch condensed	137	233
12 pitch	96	163
12 pitch condensed	160	272

Buffer:

8 Kbyte

Character fonts:

Draft High-speed draft
Normal draft
NLQ Epson Roman
Epson Roman Proportional
Epson Sans Serif
Epson Sans Serif Proportional

Humidity:

Operation: 10% to 80% (without condensation)
Storage: 5% to 85% (without condensation)

Shock:

Operation: Up to 1 G within 1 ms
Storage: Up to 2 G within 1 ms

Vibration:

Operation: Up to 0.25 G at up to 55 Hz
Storage: Up to 0.50 G at up to 55 Hz

Characters:

96 standard ASCII character set
(including italic characters)
13 international character sets
Epson Extended Graphics characters set

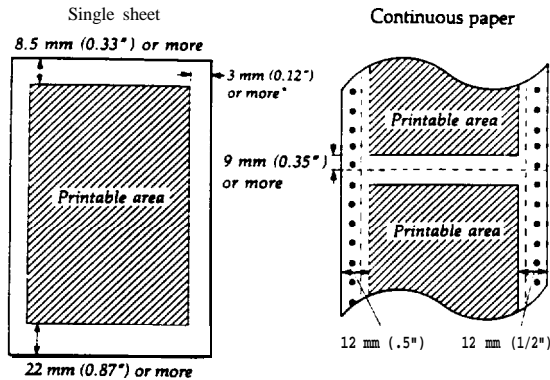
NEW FX - 850/1050 DOT- MATRIX PRINTER

Paper width:

Paper Sheet	FX-850	FX-1050
Single Sheet	7.2 to 10.1" (182-257mm)	7.2 to 14.4" (182-366mm)
Continuous	4 to 10" (101-254 mm)	4 to 16" (101-406.4 mm)
Envelopes	6.5" or 9.5"	6.5" or 9.5"
Labels	2.5" or 4.0"	2.5" or 4.0"

Paper Length: Single sheet
7.2 to 14.3 inches (182 to 364 mm)

Printable area:



Number of copies: Up to 4 sheets including the original. Total thickness must not exceed 0.012" (0.32 mm)

Paper feeding methods: Friction on
Push tractor
Cut sheet feeder (optional)
Pull tractor (optional)

Ribbon: Cartridge ribbon, available in black only:
#8750 (FX-850)
#8755(M) (FX-1050)

Life expectancy of ribbon: 3 million characters (14 dots/character)

MCBF: For all components excluding print head:
5 million lines

MTBF: FX 850 4000 power-on hours
FX-1050 6000 power-on hours

print head life: 100 million characters (14 dots/character)

Dimensions and might:

	FX-850	FX-1050
Height:	5.9"	5.9"
Width:	17.9"	24.8"
Depth:	14.2"	14.2"
weight:	20.9 lbs	27.5 lbs

voltage: 120 VAC ± 10%

Power consumption: 120 watts maximum

Frequency: 49.5 to 60.5 Hz

Insulation resistance: 10M ohms between AC power line and chassis

Dielectric strength (between AC line and chassis):
Can withstand 1.0 kV rms applied for one minute or 1250 VAC rms applied for one second.

Temperature: Operation: 40°F to 95°F (5°C to 35°C)
Storage: -22°F to 140°F (-30°C to 60°C)

Paper Thickness

Paper Type	Lever Position
Paper (single sheets or continuous)	2
Thin paper	2
Multi-part paper	
2-sheet	3
3-sheet	3
4-sheet	4
Labels	3
Envelopes	
Air mail	3 or 4
Plain	5
Bond (20 lb.)	5
Bond (24 lb.)	6

Always return the lever to Position 2 when you go back to printing on ordinary paper. Continuous printing with the lever set at a position higher than 2 can shorten the life of the print head.



WARNING: Printing past the edge of envelopes, multi-part forms, labels, or thick paper can damage the print head.

Commands in Numerical Order

This section lists all the FX commands, with their decimal and hexadecimal values. The numbers in the columns on the right are the page numbers in this chapter where a complete description of the command can be found. If the Epson and IBM emulation mode page numbers are the same, the command is the same in both modes and is described only in the Epson mode section.

ASCII	Decimal	Hexadecimal	Description	Epson Mode	IBM Emulation Mode
BEL	7	B e e p c r		8-12	8-12
BS	8	08 Backspace		8-20	8-20
HT	9	09 Tab horizontally		8-22	8-22
LF	10	0A Line feed		8-15	8-15
VT	11	0B Tab vertically		8-18	8-18
FF	12	0C Form feed		8-14	8-14
CR	13	0D Carriage return		8-13	8-13
SO	14	0E Select double-wide (1 line)		8-27	8-27
SI	15	0F Select condensed mode		8-26	8-26
DC1	17	11 Select printer		8-3	8-8
DC2	18	12 Cancel condensed mode		8-26	
DC2	18	12 Cancel condensed/12 cpi prop.			8-47
DC3	19	13 Deselect printer		8-9	
DC4	20	14 Cancel double-wide (1 line)		8-27	8-27
CAN	24	18 Cancel line		8-13	8-13
DEL	127	7F Delete character		8-13	
ESC SO	14	0E Select double-wide (1 line)		8-27	8-27
ESC SI	15	0F Select condensed mode		8-26	8-26
ESC EM	25	19 Cut sheet feeder on/off		8-11	
ESC SP	32	20 Set intercharacter space		8-32	
ESC I	33	21 Master Select		8-24	
ESC #	35	23 Cancel MSB control		8-12	
ESC \$	36	24 Set absolute print position		8-21	
ESC %	37	25 Select user-defined set		8-36	
ESC &	38	26 Define user-defined characters		8-35	
ESC*	42	2A Select graphics mode		8-39	
ESC -	45	2D Turn underlining on/off		8-31	8-31
ESC/	47	2F Select vertical tab channel		8-19	
ESC 0	48	30 Select 1/4-inch line spacing		8-16	8-16
ESC 1	49	31 Select 7/72-inch line spacing		8-16	8-16
ESC 2	50	32 Select 1/6-inch line spacing		8-16	
ESC 2	50	32 Programmable line spacing			8-43
ESC 3	51	33 Select n/216-inch line spacing		8-17	8-17
ESC 4	52	34 Select italic mode		8-33	

ASCII	Decimal	Hexadecimal	Description	Epson Mode	IBM Emulation Mode
ESC4	52	34	Set top of form		8-43
ESC5	53	35	Cancel italic mode	8-34	
ESC5	53	35	Turn automatic line feed on/off		8-44
ESC6	54	36	Printable de area expansion	8-36	
ESC6	54	36	Select international character set		8-49
ESC7	55	37	Cancel ESC 6	8-37	
ESC7	55	37	Select standard character set		8-49
ESC8	56	38	Disable paper-out sensor	8-10	
ESC9	57	39	Enable paper-out sensor	8-10	
ESC:	58	3A	Copy ROM into RAM	8-35	
ESC:	58	3A	Select 12 cpi		8-46
ESC<	60	3C	Unidirectional mode (1 line)	8-9	
ESC=	61	3D	Set MSB to 0	8-11	
ESC-	61	3D	Define user-defined characters		8-50
ESC>	62	3E	Set MSB to 1	8-12	
ESC?	63	3F	Reassign graphics mode	8-40	
ESC@	64	40	Initialize printer	8-8	
ESCA	65	41	Select n/72-inch line spacing	8-17	
ESCA	65	41	Set n/72-inch line spacing		8-42
ESCB	66	42	Set vertical tabs	8-18	8-18
ESCC	67	43	Set page length in lines	8-14	8-14
ESC C0	67	43	Set page length in inches	8-14	8-14
ESCD	68	44	Set horizontal tab	8-22	8-45
EXE	69	45	Select emphasized mode	8-29	8-29
ESCF	70	46	Cancel emphasized mode	8-29	8-29
ESCG	71	47	Select double-strike mode	8-29	8-29
ESCH	72	48	Cancel double-strike mode	8-30	8-30
ESCI	73	49	Printable code area expansion	8-37	
ESCI	73	49	Select font		8-46
ESCJ	74	4A	Perform n/216-inch line feed	8-17	8-43
ESCK	75	4B	Select single-density graphics	8-38	8-38
ESCL	76	4C	Select double-density graphics	8-38	8-38
ESCM	77	4D	Select 12 cpi	8-25	
ESCN	78	4E	Set skip over perforation	8-15	8-15
ESCO	79	4F	Cancel skip over perforation	8-15	8-15
ESCP	80	50	Select 10 cpi	8-24	
ESCP	80	50	Turn proportional on/off		8-47
ESCQ	81	51	Set right margin	8-20	
ESCQ3	81	51	Deselect printer (FX-850)		8-42
ESCQ22	81	51	Deselect printer (FX-1050)		8-42
ESCR	82	52	International characterset	8-34	
ESCR	82	52	Restore default tab settings		8-45
ESCS0	83	53	Select superscript mode	8-30	8-30
ESC S1	83	53	Select subscript mode	8-30	8-33
ESCT	84	54	Cancel superscript/subscript	8-31	8-31
ESCU	85	55	Turn unidirectional mode on/off	8-10	8-10
ESCW	87	57	Turn double-wick on/off	8-28	8-28
ESCX	88	58	Set left and right margins		8-44
ESCY	89	59	High-speed dbl-density graphics	8-38	8-38
ESCZ	90	5A	Quadruple-density graphics	8-39	8-39
ESC[@	91	5B	Double-high double-wide on/off		8-48
ESC \	92	5C	Set relative position	8-21	
ESC \	92	5C	Print characters from symbol set		8-49
ESC^	94	5E	Select 9-pin graphics	8-40	
ESC^	94	5E	Print 1 char. from symbol set		8-50
ESC_	95	5F	Turn overscore on/off		8-48
ESCa	97	61	Select justification	8-32	
ESCb	98	62	Set vertical tabs in channels	8-18	
ESCK	107	6B	Select NLQ font	8-23	
ESCI	108	6C	set left margin	8-19	
ESC p	112	70	Turn proportional mode on/off	8-25	
ESC s	115	73	Turn half-speed mode on/off	8-9	
ESC t	116	74	Select character table	8-33	
ESC w	119	77	Turn double-high on/off	8-28	
ESC X	120	78	Select NLQ or draft	8-23	

Master Select Typeface Codes

The format of the Master Select code is shown below:

```

ASCII:      ESC  I  n
Decimal:    27  33  n
Hexadecimal: 1B  21  n
    
```

To send the Master Select codes to your printer in a decimal format, for example, you send the codes 27, 33, and then whatever value you choose for the variable n.

The variable n is a number that identifies the typestyle or combination of typestyles. To find the value of n, look at the Master Select table below and add up either the decimal or hexadecimal numbers for the features you want.

Master Select Table

Feature	Dec.	Hex.
10 cpi	0	00
12 cpi	1	01
proportional	2	02
condensed	4	04
emphasized	8	08
double-strike	16	10
double-wide	32	20
italics	64	40
underline	128	80

For example, if you want to print a title using double-wide 12 cpi characters in double-strike mode, you would add these three decimal numbers together to calculate the value of n:

```

12 cpi          1
Double-strike   16
Double-wide     32
n - 49
    
```

SelectType

Character Tables

Then character tables are selected by setting DIP switch 1-3 or using the ESC t software command. For the Epson Extended Graphics character table, use of the ESC 6 or ESC 7 software command lets you select whether to print hex codes 80 to 9F as characters (ESC 6) or control codes (ESC 7).

Italic Character Table

C O D E	0	1	2	3	4	5	6	7	8	9	A	B	C	D	E	F
0	0	@	P	`	p						0	@	P	`	p	
1	!	1	A	Q	a	q				!	I	A	Q	a	q	
2	"	2	B	R	b	r				"	2	B	R	b	r	
3	#	3	C	S	c	s				#	3	C	S	c	s	
4	\$	4	D	T	d	t				\$	4	D	T	d	t	
5	%	5	E	U	e	u				%	5	E	U	e	u	
6	&	6	F	V	f	v				&	6	F	V	f	v	
7	'	7	G	W	g	w				'	7	G	W	g	w	
8	(8	H	X	h	x				(8	H	X	h	x	
9)	9	I	Y	i	y)	9	I	Y	i	y	
A	*	:	J	Z	j	z				*	:	J	Z	j	z	
B	+	;	K	[k	{				+	;	K	[k	{	
C	,	<	L	\	l	;				,	<	L	\	l	;	
D	-	=	M]	m	}				-	=	M]	m	}	
E	.	>	N	^	n	~				.	>	N	^	n	~	
F	/	?	O	_	o					/	?	O	_	o		

NEW FX - 850/1050 DOT - MATRIX PRINTER

Epson Extended Graphics Character Table

CODE	0	1	2	3	4	5	6	7	8	9	A	B	C	D	E	F
0		0	@	P	·	p	Ç	È	á	⋮	L	ll	α	≡		
1	!	1	A	Q	a	q	ü	æ	í	⋮	±	∓	β	±		
2	"	2	B	R	b	r	é	É	ó	⋮	∓	∓	Γ	≥		
3	#	3	C	S	c	s	á	ò	ú		∓	∓	π	∓		
4	\$	4	D	T	d	t	ä	ö	ñ		∓	∓	Σ	∓		
5	%	5	E	U	e	u	à	ò	Ñ		∓	∓	F	∓	J	
6	&	6	F	V	f	v	á	ú	ä		∓	∓	μ	∓	∓	
7	'	7	G	W	g	w	ç	ù	Ω	∓	∓	∓	T	∓	N	
8	(8	H	X	h	x	ê	ÿ	¿	∓	∓	∓	∓	∓	∓	
9)	9	I	Y	i	y	ë	Ö	∓	∓	∓	∓	∓	∓	∓	
A	*	:	J	Z	j	z	è	Ù	∓	∓	∓	∓	∓	∓	∓	
B	+	:	K	[k	{	í	∓	∓	∓	∓	∓	∓	∓	∓	
C	,	<	L	\	l		í	∓	∓	∓	∓	∓	∓	∓	∓	
D	-	=	M]	m	}	í	∓	∓	∓	∓	∓	∓	∓	∓	
E	.	>	N	^	n	~	Ä	∓	∓	∓	∓	∓	∓	∓	∓	
F	/	?	O	_	o	ˆ	Å	∓	∓	∓	∓	∓	∓	∓	∓	

Density varieties

Although all the examples so far in this section have been in the single-density graphics mode, there are seven other eight-pin densities and two that use all nine pins.

Nine-pin graphics is not necessary for most uses, but you can find the command (ESC ^) in the Command Summary in Chapter 8. The four most common eight-pin modes are ESC K, ESC L, ESC Y, and ESC Z. There is also a general purpose command for any of the eight-pin graphics modes: ESC ●. This command is used in the same way as the individual commands, except that before n1 and n2 you must send the code for the graphics mode required.

The different graphics modes are summarized in the following table:

Option	Alternate Code	m	Horiz. density (dots/in.)
Single-density	ESC K	0	60
Double-density	ESC L	1	120
High-speed double-density*	ESC Y	2	120
Quadruple-density*	ESC Z	3	240
CRT I	none	4	80
Plotter (1:1)	none	5	72
CRT II	none	6	90
Double-density plotter	none	7	144

*Adjacent dots cannot be printed in this mode

Default Settings

The table below shows the default conditions that become valid when the printer is initialized.

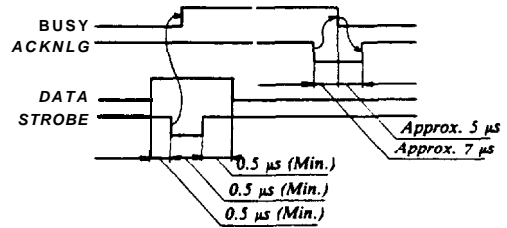
Item	Reset to:
Top of form position	Current paper position
Left and right margins	Cancelled
Line spacing	1/6-inch line spacing
Vertical tab position	Cleared
Horizontal tab positions	Every eight characters
VFU channel	Channel 0
Font selection	Reset to the current Selec.Type setting
CPI	Reset to the current Selec.Type setting
Justification	Left justification
Special printing effects	Cancelled

In addition, the data buffer is cleared when the printer is initialized by turning on the power or by INIT signal.

Note: The user-defined character set is not cleared when the printer is initialized.

Interface timing

The figure below shows the timing for the parallel interface.



Initialization

fixed set of conditions).

- Hardware initialization**
- When the power is turned on.
 - When the printer receives an INIT signal at the parallel interface (pin 31 goes LOW).
- Software initialization**
- Software sends the ESC @ (initialize the prints) command.

Interfaces

The Epson interfaces that are compatible with the FX-850 and FX-1050 are listed below.

Interface number	Name
#8143	RS-232C/current loop interface
#8148	Intelligent serial interface
#8165	Intelligent IEEE-488 interface

Application Programs Printer Selection

Using the FX with Application Programs

Now that you've set up and tested the printer, you need to start using it with your application programs.

Most application programs let you specify the type of printer you're using so that the program can take full advantage of the printer's features. Many programs provide an installation or setup procedure that presents a list of printers to choose from. If your application program has a printer selection menu, use the instructions below.

Using printer selection menus

If your software has a printer selection menu simply choose FX-850 or FX-1050. If the menu does not list either of these printers, choose one of the following. They are listed in order of preference.

- | | |
|---------------|---------------|
| FX-850 | FX-1050 |
| FX-86e | FX-286e |
| EX-800 | EX-1000 |
| FX-85 | FX-286 |
| FX-80+ | FX-185 |
| FX-80 | FX-100+ |
| FX | FX-100 |
| LX | FX |
| MX | LX |
| Epson printer | MX |
| Draft printer | Epson printer |
| | Draft printer |

If you plan to use the IBM emulation mode, choose IBM Proprinter (if you have an FX-850), IBM Proprinter XL (if you have an FX-1050), IBM Graphics printer, or IBM printer, in that order of preference.

Note: If your application program does not list the FX-850 or FX-1050, you may want to contact the software manufacturer to see if an update is available.

Typestyle	FX-850	FX-1050
Normal (10 cpi)	80	137
12 cpi	96	163
Condensed	137	233
12 cpi condensed	160	272

Installation/Support Tips

Software

The type of printer installed on your system must be identified for each software package. This is usually done through a setup menu. If this printer is not listed in your program, look in the printer User's Manual for the next-best model selection.

DIP Switch Settings

The default setting will usually work for most applications, but they should be checked before using the printer. This will avoid unexpected results.

Serial Operation

The FX-850/1050 will be able to receive serial data with the addition of an Epson 81XX series interface option.

Cut-Sheet Feeder Operation

The page length will have to be adjusted (shortened) to 61 lines per page if your software does not properly support cut-sheet paper. There will be lines from the first page printed at the top of the second page if the page length is not set correctly.

Disabling the Buffer

An undocumented feature of the FX-850/1050 is the ability to disable the buffer from the SelectType panel. To toggle the buffer hold down the Load/Eject switch at power on. Two beeps indicate that the 8K buffer is enabled, and one beep indicates that the buffer is disabled. (Some spooler applications won't work correctly unless the buffer is disabled.)

Information Reference List

Related Documentation

Y46199112001		<p>FX-850/1050 Service Addendum for Models P82PB and P12PM</p> <p>FX-850/1050 User's Manual</p>
--------------	--	---