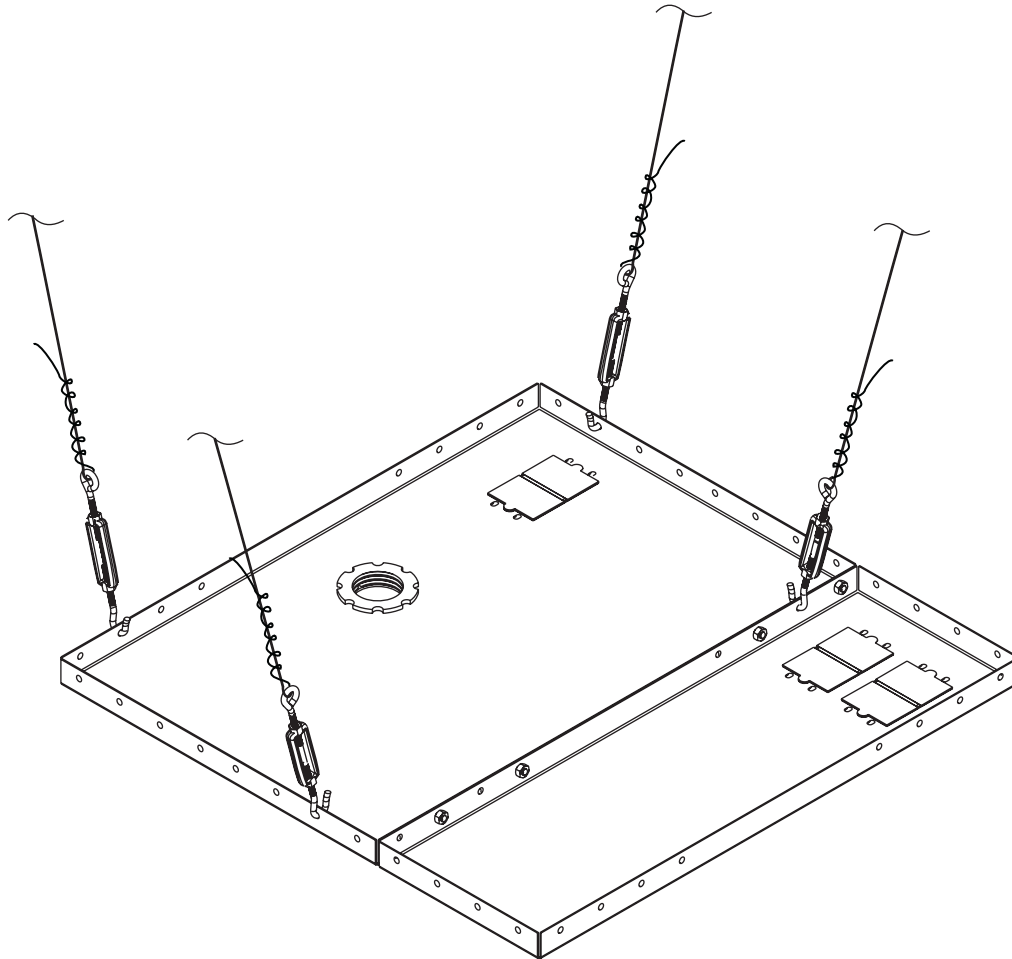


Installation and Assembly: False Ceiling Plate Kit

Model: ELPMBP02



This product is UL Listed. It must be installed by a qualified professional installer.



Maximum UL Load Capacity: 50 lb (22.6 kg)

NOTE: Read entire instruction sheet before you start installation and assembly.

⚠ WARNING

- Do not begin to install your product until you have read and understood the instructions and warnings contained in this Installation Sheet. If you have any questions regarding any of the instructions or warnings, call Peerless customer care at 1-800-729-0307.
- This product should only be installed by someone of good mechanical aptitude, has experience with basic building construction, and fully understands these instructions.
- Make sure that the supporting surface will safely support the combined load of the equipment and all attached hardware and components.
- Never exceed the Maximum UL Load Capacity.
- If mounting to wood joists or wood beam ceilings, make sure that mounting screws are anchored into the center of the joists or beams. Use of an "edge to edge" stud finder is highly recommended.
- Always use an assistant or mechanical lifting equipment to safely lift and position equipment.
- Tighten screws firmly, but do not overtighten. Overtightening can damage the items, greatly reducing their holding power.
- This product is intended for indoor use only. Use of this product outdoors could lead to product failure and personal injury.
- When installing or adjusting the ceiling mount, do not use adhesives, lubricants or oils to prevent the screws from loosening. If you use adhesives, lubricants, or oils to prevent the screws from loosening, the casing may crack and the projector may fall, causing serious injury and damage to the projector.

Tools Needed for Assembly

- stud finder ("edge to edge" stud finder is recommended)
- phillips screwdriver
- hammer
- wire cutters
- drill
- 1/4" bit for concrete surface
- 5/32" bit for wood studs

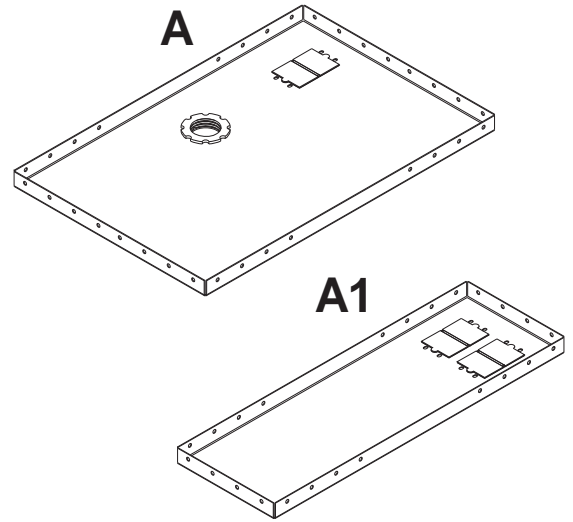
Table of Contents

Parts List	3
Mounting <u>Above</u> Ceiling Tile, Mounting <u>in Place</u> of Ceiling Tile and Attaching Ceiling Tray to Filler Tray	4
Anchoring Methods	5
Warranty Information	6

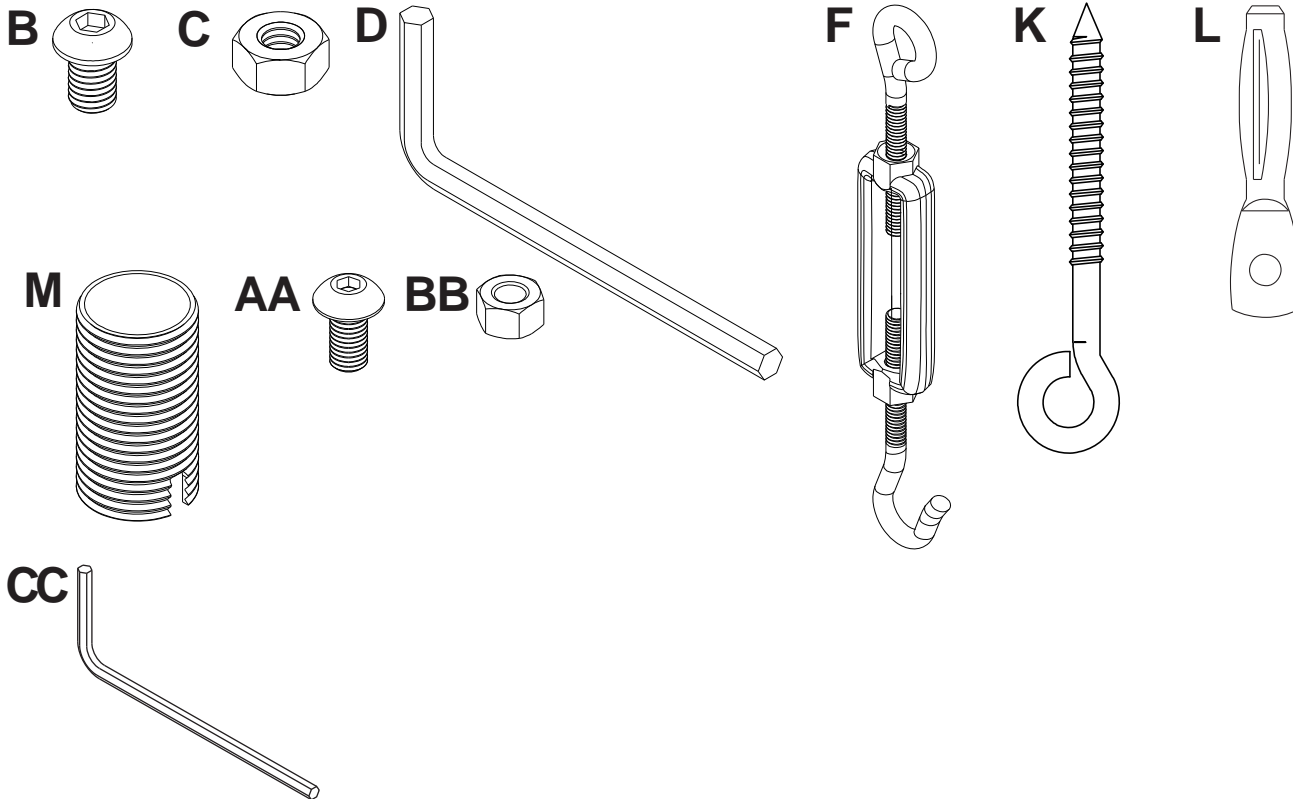
Before you begin, make sure all parts shown are included with your product.

Parts List

Description	Qty.	Part #
A ceiling tray	1	128-2198
A1 filler tray	1	128-2207
B 1/4"-20 x 3/8" screws	4	520-2015
C 1/4"-20 nuts	4	530-9302
D allen wrench	1	560-9706
F turnbuckle	4	560-9620
G 12 gauge x 20' (6.1m) tie wire (not shown)	1	600-2008
K eye bolt	5	580-0006
L concrete anchor	5	580-0005
M flush mount tube	1	1446-014
AA M5 x 10 mm socket screw	4	520-1216
BB nut	4	530-9409
CC 3 mm allen wrench	1	560-0194



NOTE: Some parts may appear slightly different than illustrated.

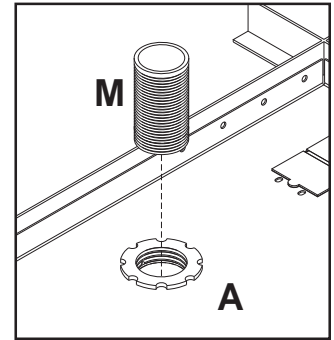


IMPORTANT PRE-ASSEMBLY INFORMATION: Ceiling Trays (A), and (A1) are designed to fit within or above a 24" (610 mm) x 24" (610 mm) section of a conventional suspended ceiling system. It may also be mounted within or above 24" x 48" conventional suspended ceiling. Ceiling runners (see **DETAIL 1, page 5**) should have a "T" cross section and a minimum height of 1.5" (38 mm).

For certain installations it may be best to install ceiling anchors (**step 2**) before installing the ceiling tray (**step 1**).

For Mounting Above Ceiling Tile

- 1 Place ceiling tray (A) in grid above 24" x 24" or 24" x 48" false ceiling tile with hole to center, left or right.
- 1-1 Place filler (A1) tray into gap.
- 1-2 Once placed where needed, through hole in ceiling tray (A), mark on false ceiling tile where hole will be.
- 1-3 Cut out 2.25" hole in false ceiling tile. (**Escutcheon Ring Accessory (ACC 640) is recommended**).
- 1-4 **For flush mounting applications:** From the top down, thread the flush mount tube (M) down through the retaining collar in ceiling tray (A).



NOTE: Set screw included with projector mount will be installed according to the instructions provided with the mount.

- 1-5 Skip to step 2.

For Mounting in Place of Ceiling Tile

- 1 Remove 24" x 24" or 24" x 48" false ceiling tile.
- 1-1 If using 24" x 48" ceiling tile, cut one tile in half and add another 24" ceiling runner in order to make a 24" x 24" section.
- 1-2 Place ceiling tray (A) in 24" x 24" grid with hole to center, left, or right.
- 1-3 Place filler (A1) tray into gap.

Attaching Ceiling Tray to Filler Tray

- 2 Attach ceiling tray (A) to filler tray (A1) using four bolts (B) and nuts (C) as shown in fig. 1.1. Hook turnbuckles (F) into ceiling tray (A). Hook one turnbuckle through filler tray (A1) and ceiling tray (A) where indicated by gray rectangles in illustration below.

OPTION 2: Use M5 x 10 mm socket screws (AA) and M5 nuts (BB) to attach ceiling tray (A) to filler tray (A1) in place of fasteners 1/4"-20 x 3/8" screws (B) and 1/4"-20 nuts (C) if necessary. Tighten M5 x 10 mm socket screws (AA) using 3 mm allen wrench (CC).

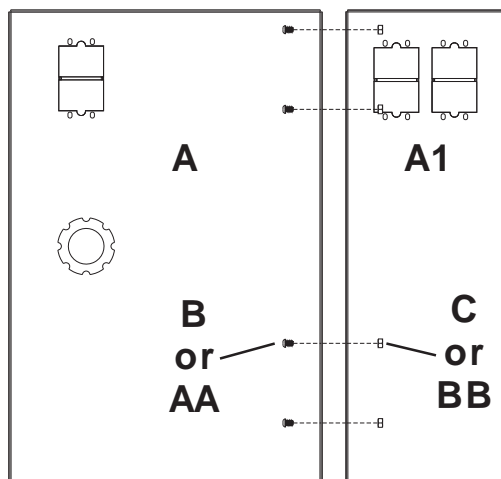
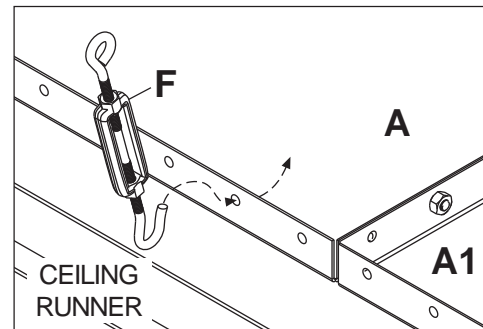
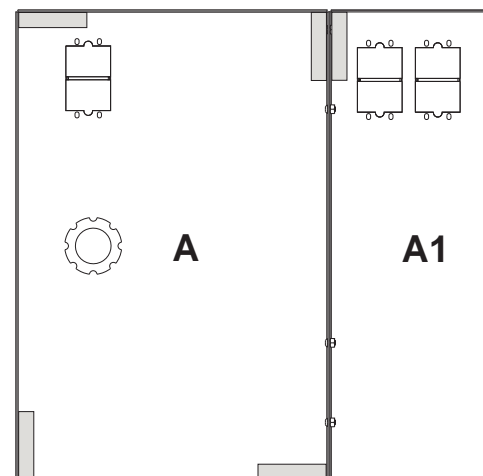


fig. 1.1



Gray rectangles show correct positions for turnbuckles (F).

Anchoring Methods

3 Cut tie wire (G) into four pieces of equal length. Insert wires through the ends of the turnbuckles and loop to prevent the wire from slipping. Twist each wire around itself at least six times as tightly as possible.

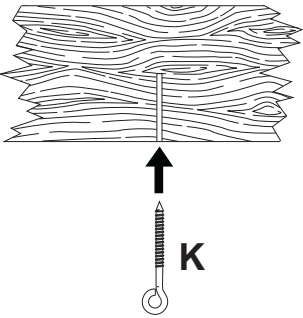
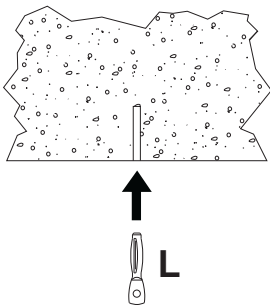
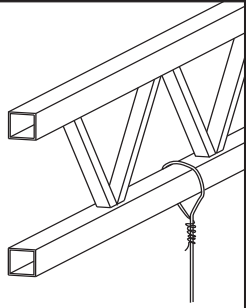
Drill holes for four ceiling anchors (see "Various Anchoring Methods"). Position the holes so when the tie wires are attached and taut the optimal angle is 15° (see figure 3.1 for reference). Unit may be mounted at an angle up to 45° if necessary.

Pull tie wires tight and loop through turnbuckles of the ceiling anchors (or truss). Again twist each wire around itself at least six times as tightly as possible.

When this step is complete, the weight of the ceiling tray should be supported by the tie wires.

NOTE: 20' (6.1 m) of tie wire (G) is provided. If space between the true ceiling and suspended ceiling is more than 36" (914 mm), additional wire (12 gauge annealed, steel, black) will be needed.

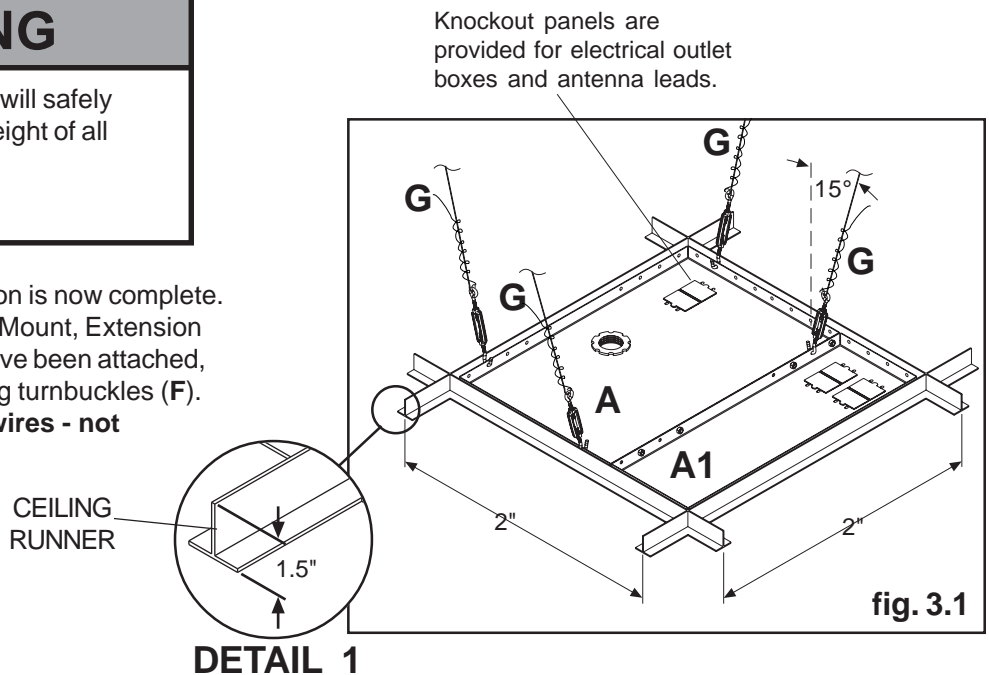
VARIOUS ANCHORING METHODS

<p>Wood Joists or Beams Drill 5/32" (4 mm) dia. holes 2" (51 mm) deep. Fully insert eye bolts (K).</p> 	<p>Solid Concrete Drill 1/4" (6 mm) dia. holes 1.5" (38 mm) deep. Hammer in Concrete Anchor (L) using Rawl #3250 setting tool or equivalent.</p> 	 <p>Truss Ceiling No anchor required. After attaching tie wire to turnbuckle loop upper end around ceiling truss. Pull tie wire tight and twist it around itself at least six times as tightly as possible..</p>
--	--	---

⚠ WARNING

- Installer must verify that the ceiling will safely support four times the combined weight of all attached equipment and hardware.
- Never attach hooks to filler tray.

3-1 Suspended Ceiling Kit installation is now complete. After all components (Projector Mount, Extension Column, etc.) and equipment have been attached, tension the tie wires by adjusting turnbuckles (F). **Load must be carried by tie wires - not suspended ceiling runners.**



LIMITED FIVE-YEAR WARRANTY

Peerless Industries, Inc. establishes a warranty period of five years for products manufactured or supplied by Peerless. This period commences from the date of sale of the product to the original consumer, but will in no case last for more than six years after the date of the product's manufacture. During the warranty period such products will be free from defects in material and workmanship, provided they are installed and used in compliance with the instructions established by Peerless Industries, Inc. Subject to applicable legal requirements, during the warranty period Peerless will repair or replace, or refund the purchase price of, any such product which fails to conform with this warranty.

Any other warranties prescribed by the law which may apply with respect to such products also are limited in duration to the warranty period specified in this Limited Five-Year Warranty.

This warranty does not cover damage caused by (a) service or repairs by the customer or a person who is not authorized for such service or repairs by Peerless Industries, Inc., (b) the failure to utilize proper packing when returning the product, (c) incorrect installation or the failure to follow Peerless' instructions or warnings when installing, using or storing the product, or (d) misuse or accident, in transit or otherwise, including in cases of third party actions and force majeure.

In no event shall Peerless be liable for incidental or consequential damages or damages arising from the theft of any product, whether or not secured by a security device which may be included with the product.

This Limited Five-Year Warranty is in lieu of all other warranties, expressed or implied, and is the sole remedy with respect to product defects. No retailer, dealer, distributor, installer or other person is authorized to modify or extend this warranty or impose any obligation on Peerless in connection with the sale of any product manufactured or supplied by Peerless.

This warranty gives specific legal rights, and you may also have other rights provided by the national legislation of the country in which you purchased such product.

peerless[®]
www.peerlessmounts.com

© 2007 Peerless Industries, Inc.

ISSUED 03/17/06 LIT-0190E