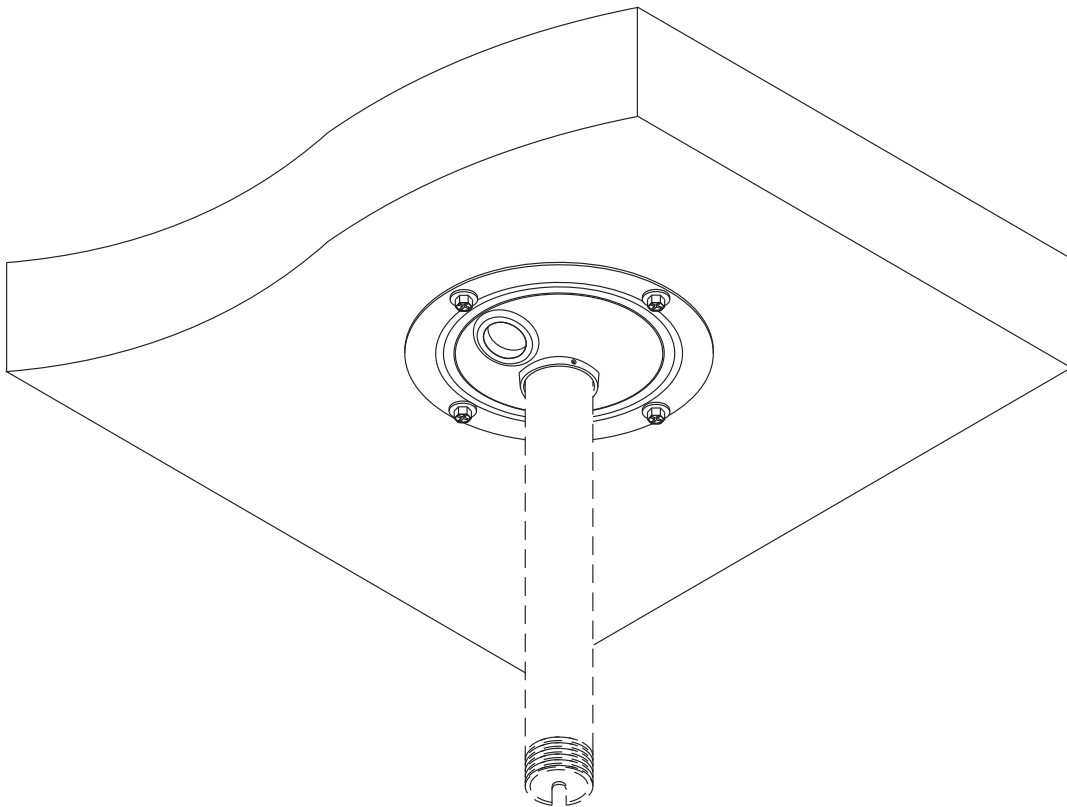


# Installation and Assembly: Structural Round Ceiling Plate

**Model: ELPMBP03**



This product is UL Listed. It must be installed by a qualified professional installer.



**Maximum UL Load Capacity: 150 lb (68 kg)**

Manufactured by Peerless Industries, Inc.

3215 W. North Ave. • Melrose Park, IL 60160 • (800) 865-2112 or (708) 865-8870 • Fax: (708) 865-2941 • [www.peerlessmounts.com](http://www.peerlessmounts.com)

ISSUED: 02-13-08 SHEET #: 054-9126-2 07-10-08

**NOTE:** Read entire instruction sheet before you start installation and assembly.

## **WARNING**

- Do not begin to install your product until you have read and understood the instructions and warnings contained in this Installation Sheet. If you have any questions regarding any of the instructions or warnings, call Peerless customer care at 1-800-729-0307.
- This product should only be installed by someone of good mechanical aptitude, has experience with basic building construction, and fully understands these instructions.
- Make sure that the supporting surface will safely support the combined load of the equipment and all attached hardware and components.
- Never exceed the Maximum UL Load Capacity.
- If mounting to wood joists or wood beam ceilings, make sure that mounting screws are anchored into the center of the joists or beams. Use of an "edge to edge" stud finder is highly recommended.
- Always use an assistant or mechanical lifting equipment to safely lift and position equipment.
- Tighten screws firmly, but do not overtighten. Overtightening can damage the items, greatly reducing their holding power.
- This product is intended for indoor use only. Use of this product outdoors could lead to product failure and personal injury.
- When installing or adjusting the ceiling mount, do not use adhesives, lubricants, or oils to prevent the screws from loosening. If you use adhesives, lubricants, or oils to prevent the screws from loosening, the casing may crack and the projector may fall, causing serious injury and damage to the projector.

## **Tools Needed for Assembly**

- stud finder ("edge to edge" stud finder is recommended)
- phillips screwdriver
- 3/8" (10 mm) socket wrench
- drill
- 1/4" bit for concrete surface
- 5/32" bit for wood studs

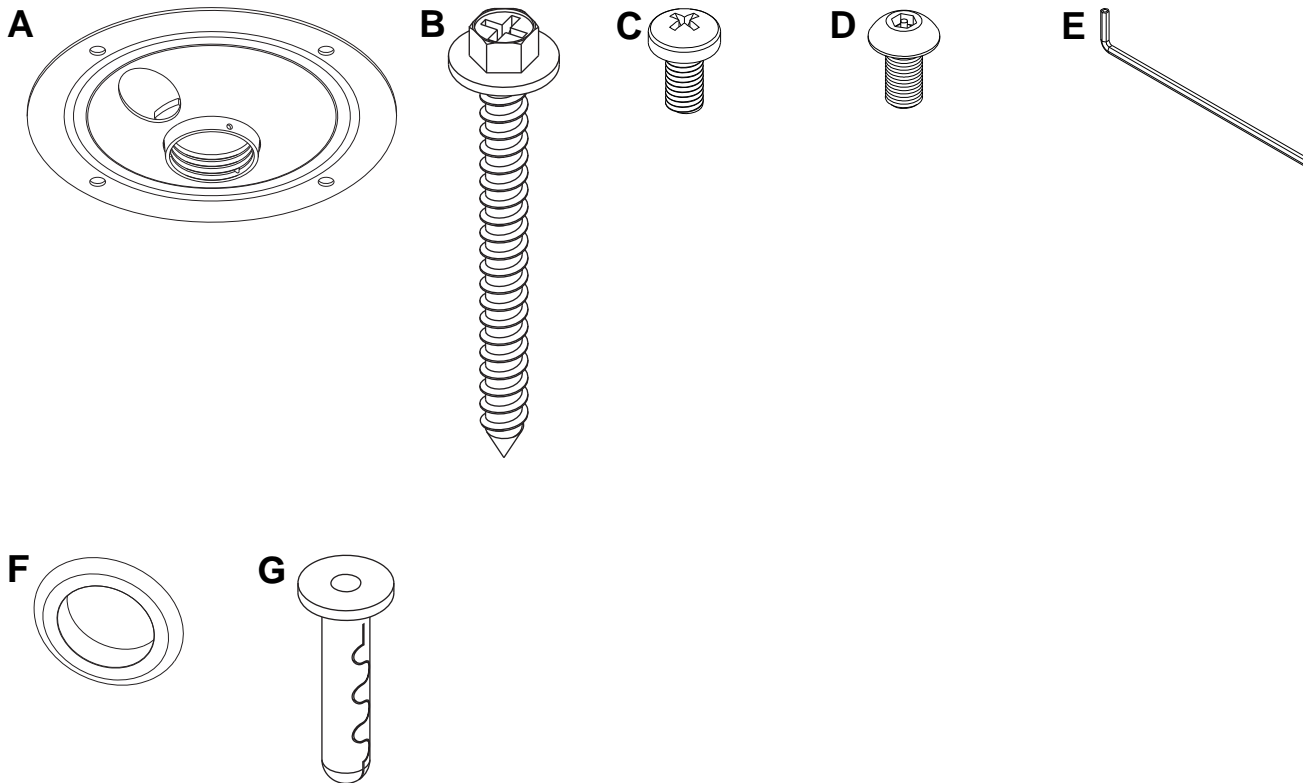
## **Table of Contents**

Parts List .....	3
Extension Column and Flush Mounting Applications .....	4
Installation to Wood Joist Finished Ceilings, Exposed Wood Joists or Wood Beam Ceilings .....	5
Installation to Solid Concrete .....	6
Warranty Information .....	7

Before you begin, make sure all parts shown are included with your product.

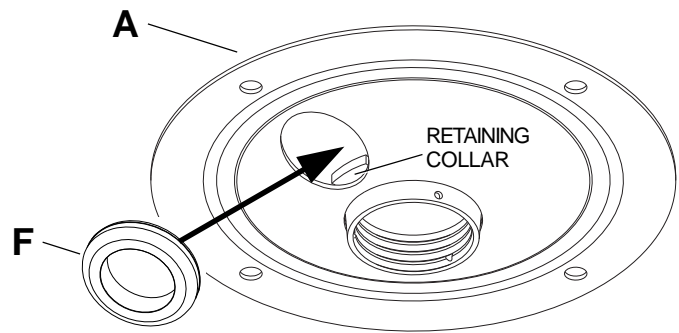
<b>Parts List</b>		
<b>Description</b>	<b>Qty.</b>	<b>Part #</b>
<b>A</b> round ceiling plate	1	055-2798
<b>B</b> #14 x 2.5" wood screw	4	5S1-015-C04
<b>C</b> M5 x .8 x 10 mm phillips screw	1	520-2005
<b>D</b> M5 x .8 x 10 mm socket pin screw	1	520-2031
<b>E</b> 4 mm allen wrench	1	560-9646
<b>F</b> rubber grommet	1	530-9401
<b>G</b> concrete anchor	4	590-0097

**NOTE:** Some parts may appear slightly different than illustrated.



**1** Place grommet (F) into hole of ceiling plate (A).

**NOTE:** Make sure grommet overlaps retaining collar. Grommet may require some force to fit in hole and will appear slightly deformed.



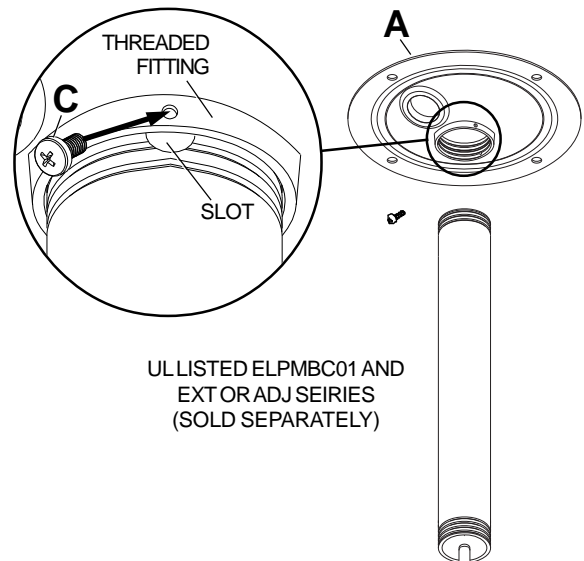
## ⚠ WARNING

- For safety, extension column must be locked to threaded fitting with screw.

### Extension Column Applications

**2** Insert end of extension column into threaded fitting of ceiling plate (A). Tighten four or five complete turns. Align slot in extension column with one of the small holes in the side of the threaded fitting. Insert and tighten one M5 x 10 mm phillips screw (C) into hole to lock extension column to threaded fitting.

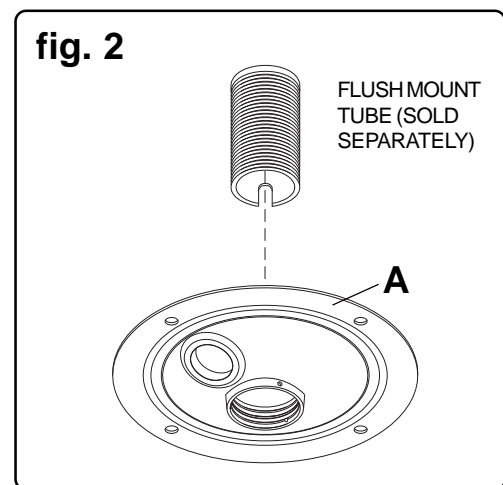
**NOTE:** For security option, use M5 socket pin screw (D) in place of screw (C). Tighten using 4 mm allen wrench (E).



### Flush Mounting Applications

**2** Screw flush mount from top of ceiling plate (A) as shown in fig. 2. Tighten four or five complete turns. Align slot in flush mount tube with one of the small holes in the side of the threaded fitting. Insert and tighten one M5 x 10 mm phillips screw (C) into hole to lock flush mount tube to threaded fitting.

**NOTE:** For security option, use M5 socket pin screw (D) in place of screw (C). Tighten using 4 mm allen wrench (E).

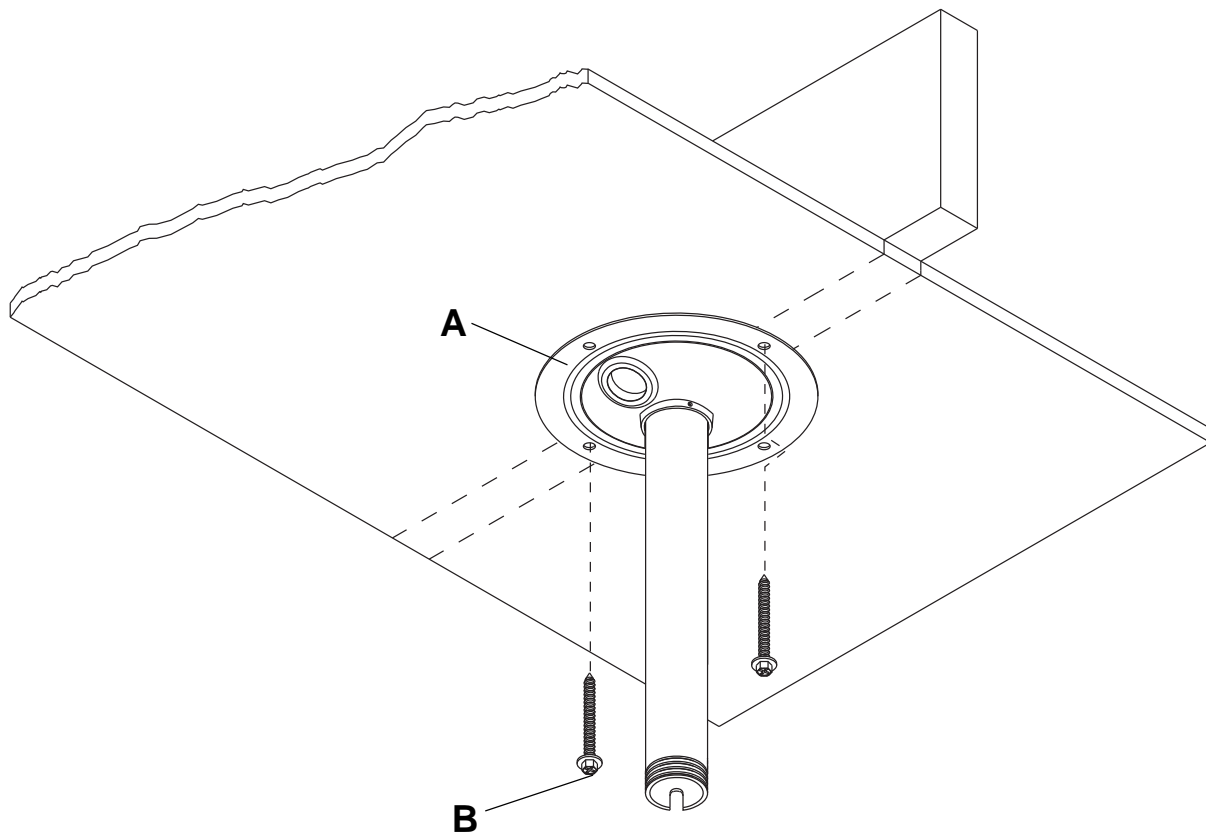


## Installation to Wood Joist Finished Ceilings, Exposed Wood Joists, or Wood Beam Ceilings

### ⚠ WARNING

- Installer must verify that the supporting surface will safely support the combined load of the equipment and all attached hardware and components.
- Tighten wood screws so that ceiling plate is firmly attached, but do not overtighten. Overtightening can damage the screws, greatly reducing their holding power.
- Never tighten in excess of 80 in. • lb (9 N.M.).
- Make sure that mounting screws are anchored into the center of the wood joist or wood beam. The use of an "edge to edge" stud finder is highly recommended.
- Hardware provided is for attachment of mount through standard thickness drywall or plaster into wood joist or wood beam ceilings. Installers are responsible to provide hardware for other types of mounting situations.

- 3** Drill two 5/32" (4 mm) dia. holes to a minimum depth of 2.5" (64 mm). Attach ceiling plate (A) to the joist center using two #14 x 2.5" wood screws (B) as shown. Tighten wood screws (B) using 3/8" (10 mm) socket wrench so ceiling plate (A) is firmly attached.



# Installation to Solid Concrete

## ⚠ WARNING

- Concrete must be 2000 psi density minimum. Lighter density concrete may not hold concrete anchor.
- Make sure that the supporting surface will safely support the combined load of the equipment and all attached hardware and components.

**3** Use ceiling plate (A) as a template to mark holes. Drill four 1/4" (6 mm) dia. holes to a minimum depth of 2.5" (64 mm). Insert four anchors (G) in holes flush with ceiling as shown in figure 3.1.

Place ceiling plate (A) over anchors (G) and secure with #14 x 2.5" (6 mm x 65 mm) wood screws (B). Tighten wood screws (B) using 3/8" (10 mm) socket wrench to firmly attach ceiling plate (A).

See figures 3.2 and 3.3.

## ⚠ WARNING

- Always attach concrete anchors directly to load-bearing concrete.
- Never attach concrete anchors to concrete covered with plaster, drywall, or other finishing material. If mounting to concrete surfaces covered with a finishing surface is unavoidable, the finishing surface must be counterbored as shown below. Be sure concrete anchors do not pull away from concrete when tightening screws. If plaster/drywall is thicker than 5/8", custom fasteners must be supplied by installer. (Not evaluated by UL)

## ⚠ WARNING

- Tighten screws so that ceiling plate is firmly attached, but do not overtighten. Overtightening can damage screws, greatly reducing their holding power.
- Never tighten in excess of 80 in. • lb (9 N.M.).

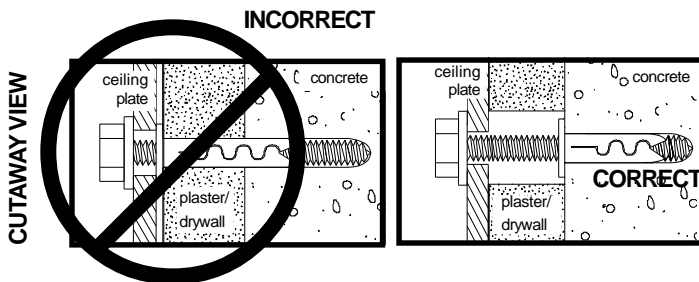
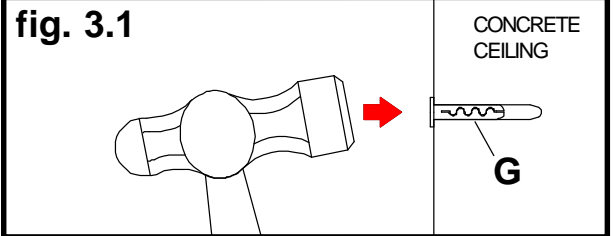
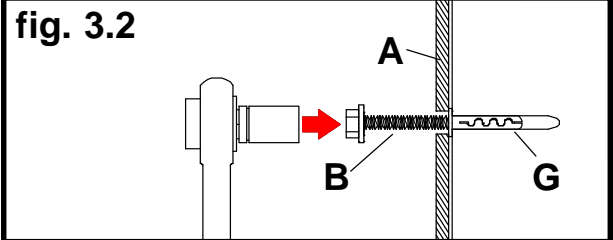


fig. 3.1



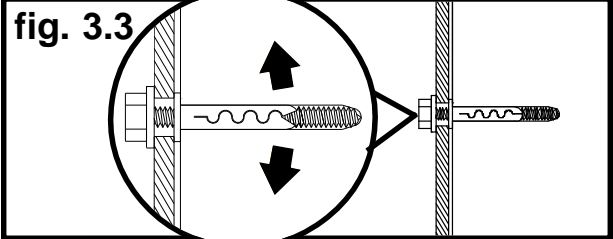
Drill holes and insert anchors (G).

fig. 3.2

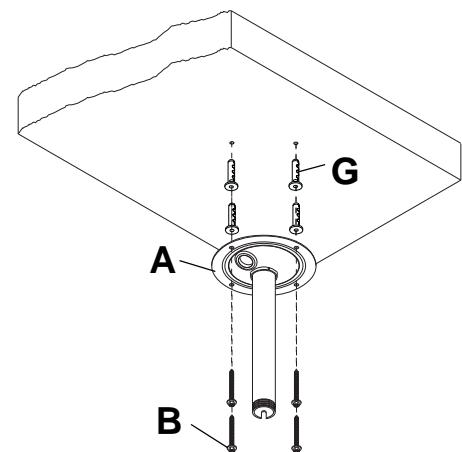


Place ceiling plate (A) over anchors (G) and secure with screws (B).

fig. 3.3



Tighten all fasteners.



# LIMITED FIVE-YEAR WARRANTY

Peerless Industries, Inc. establishes a warranty period of five years for products manufactured or supplied by Peerless. This period commences from the date of sale of the product to the original consumer, but will in no case last for more than six years after the date of the product's manufacture. During the warranty period such products will be free from defects in material and workmanship, provided they are installed and used in compliance with the instructions established by Peerless Industries, Inc. Subject to applicable legal requirements, during the warranty period Peerless will repair or replace, or refund the purchase price of, any such product which fails to conform with this warranty.

Any other warranties prescribed by the law which may apply with respect to such products also are limited in duration to the warranty period specified in this Limited Five-Year Warranty.

This warranty does not cover damage caused by (a) service or repairs by the customer or a person who is not authorized for such service or repairs by Peerless Industries, Inc., (b) the failure to utilize proper packing when returning the product, (c) incorrect installation or the failure to follow Peerless' instructions or warnings when installing, using or storing the product, or (d) misuse or accident, in transit or otherwise, including in cases of third party actions and force majeure.

In no event shall Peerless be liable for incidental or consequential damages or damages arising from the theft of any product, whether or not secured by a security device which may be included with the product.

This Limited Five-Year Warranty is in lieu of all other warranties, expressed or implied, and is the sole remedy with respect to product defects. No retailer, dealer, distributor, installer or other person is authorized to modify or extend this warranty or impose any obligation on Peerless in connection with the sale of any product manufactured or supplied by Peerless.

This warranty gives specific legal rights, and you may also have other rights provided by the national legislation of the country in which you purchased such product.

**peerless**<sup>®</sup>  
www.peerlessmounts.com

© 2007 Peerless Industries, Inc.

ISSUED 03/17/06 LIT-0190E