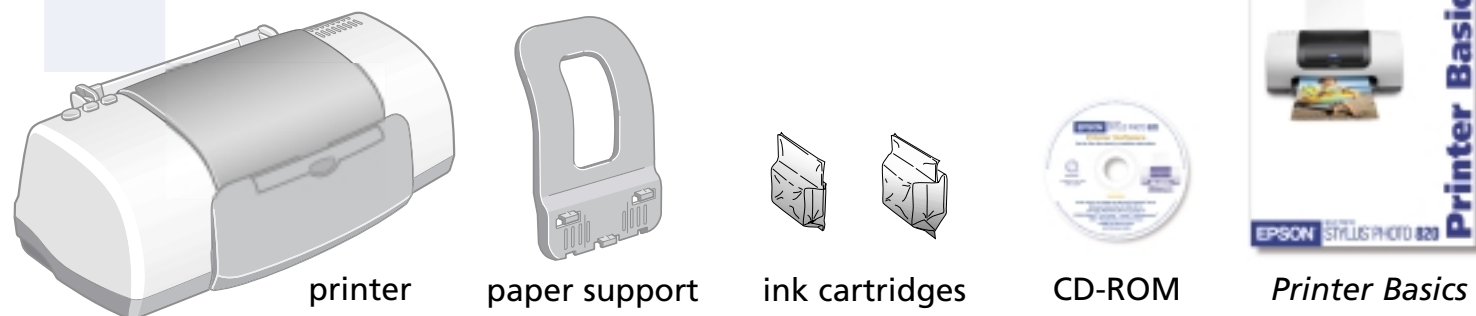


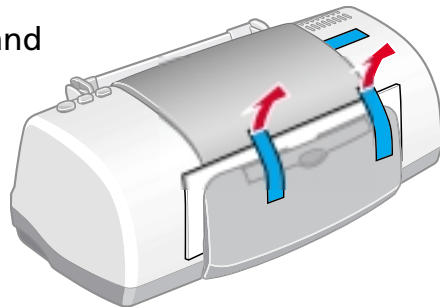
EPSON Stylus® Photo 820 Start Here

1 Unpack

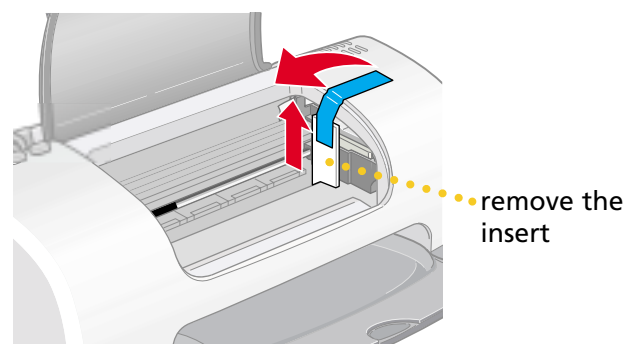
- 1 Remove everything from the box.



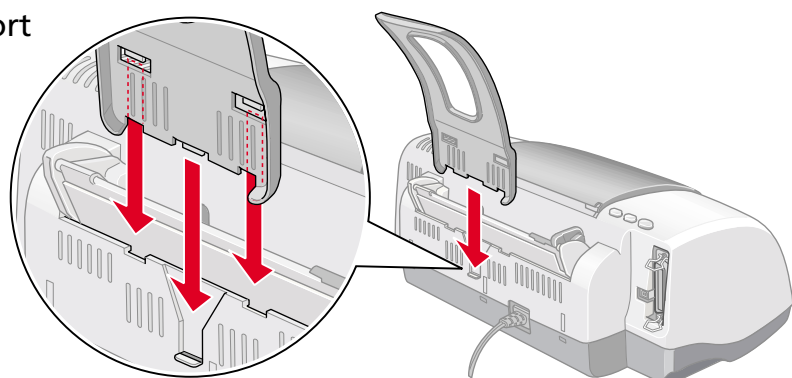
- 2 Remove all the tape and packing material.



- 3 Peel off the tape beneath the cover and remove the insert.



- 4 Insert the paper support into its three slots.



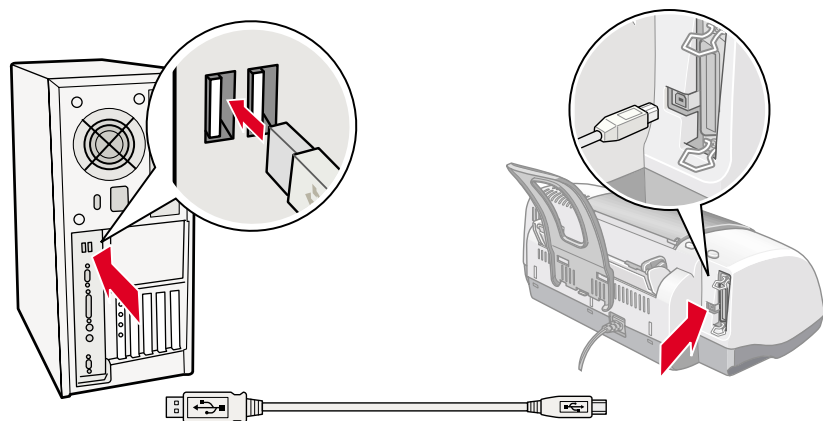
2 Connect the Printer

Connect the printer to your computer using either a USB cable or parallel cable. **Don't connect both cables; you only need one or the other.** Follow the instructions in the appropriate section below.

If You Have a USB Port

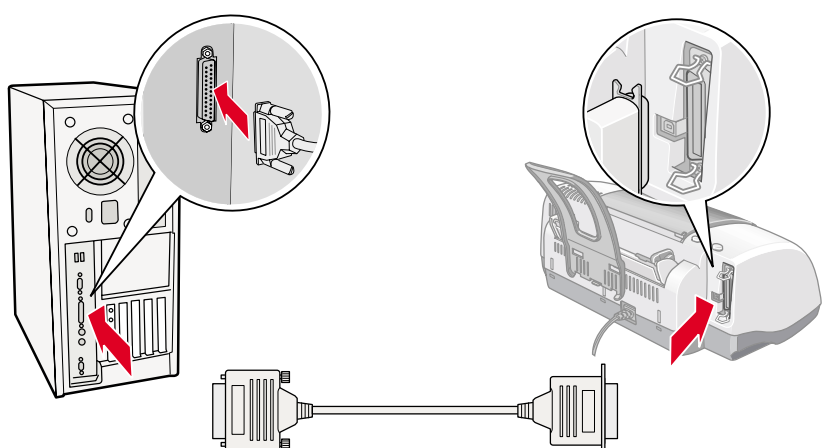
(Does not support Windows® 95 or Windows NT®.)

- 1 Make sure the printer and computer are turned off.
- 2 Connect the square end of the USB cable to your printer's USB port.
- 3 Connect the flat end of the cable to any available USB port on your computer.



If You Have a PC Parallel Port

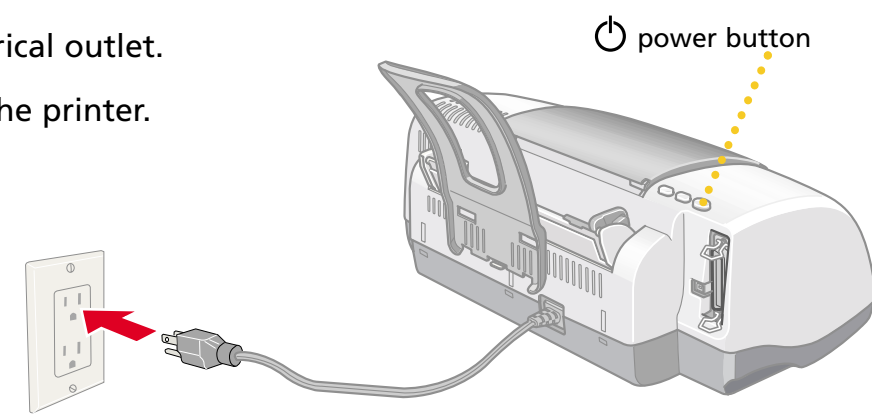
- 1 Make sure the printer and computer are turned off.
- 2 Connect the larger end of the parallel cable to your printer's parallel port. Then secure it with the wire clips.
- 3 Connect the other end of the cable to your computer's parallel port and secure it as necessary.



3 Power On

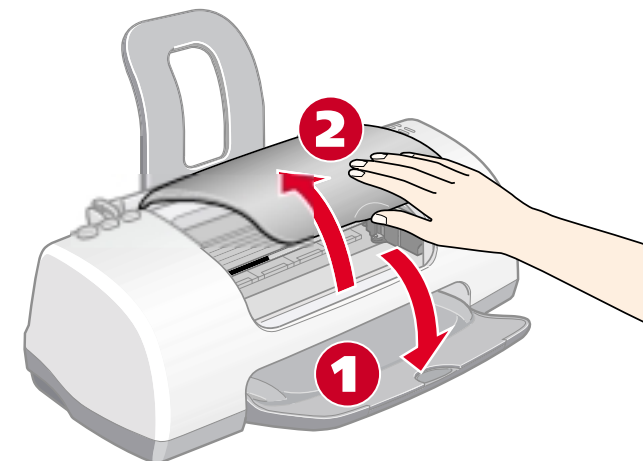
- 1 Plug the printer into a grounded electrical outlet.
- 2 Press the power button to turn on the printer.
Don't turn on your computer yet.

CAUTION Don't use an outlet controlled by a wall switch or timer. Never use a power strip switch to turn the printer on or off; use only the printer's power button.



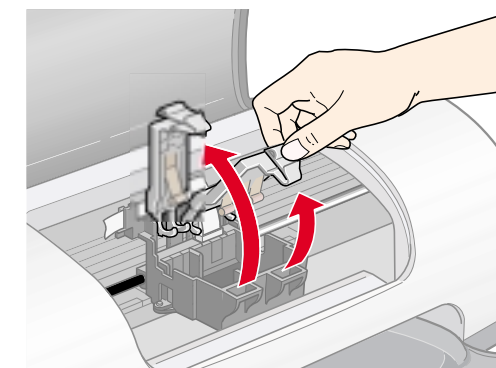
4 Load Ink

- 1 Open the output tray and raise the printer cover.



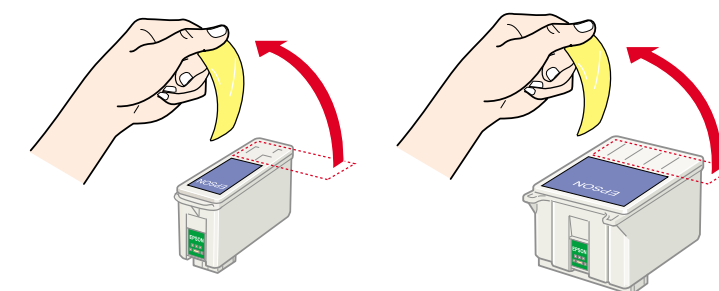
- 2 Lift up the ink cartridge clamps.

CAUTION You must install both cartridges or the printer won't work.

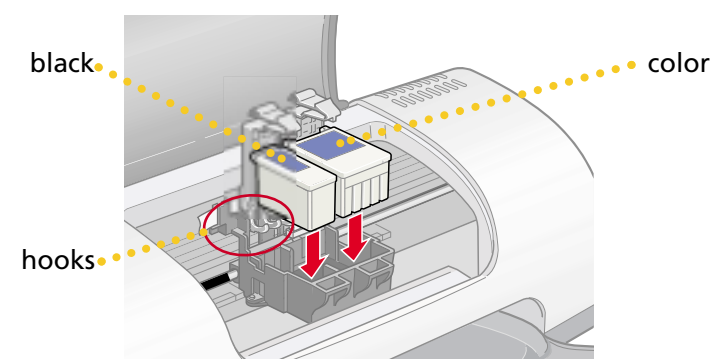


- 3 Unpack the ink cartridges that came with your printer and remove the yellow tape.

CAUTION Keep cartridges out of the reach of children.



- 4 Tilt each cartridge toward you as you lower it. Make sure the tabs rest on the hooks.



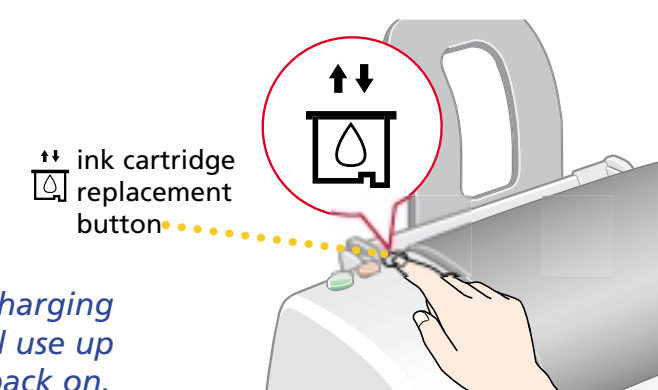
CAUTION Don't place the cartridge tabs under the hooks, or you may damage the clamp when you close it.



- 5 Lower the clamps so they snap shut.

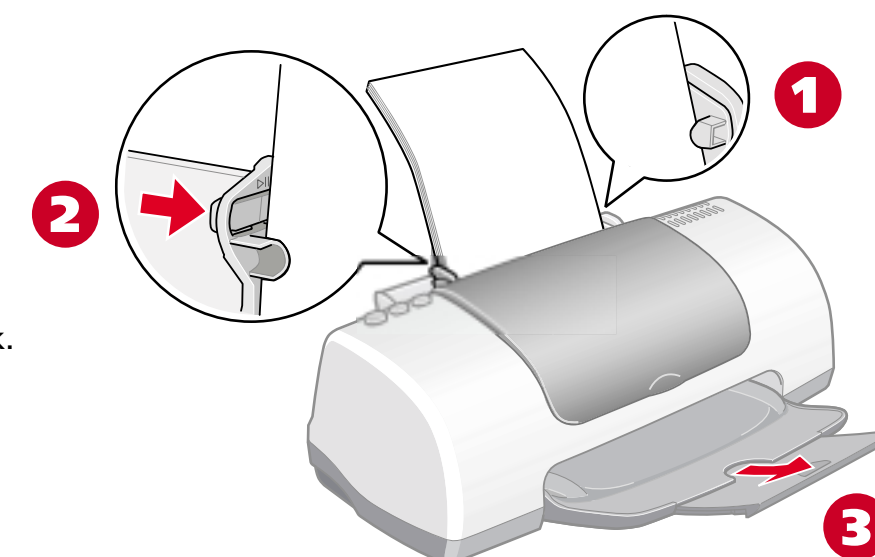
- 6 Press the ink cartridge replacement button and close the printer cover. You see the green power light flash and you hear the printer make noise. Wait until ink charging is finished (the green power light stops flashing).

CAUTION Don't turn off the printer or interrupt ink charging while the power light is flashing or you'll use up more ink than necessary when you turn it back on.



5 Load Paper

- 1 Load some paper behind the tabs inside the edge guides.
- 2 Press in the locking tab on the left edge guide and slide it snugly against the edge of the paper stack.
- 3 Pull out the output tray extension.



Turn over

6 Install Software

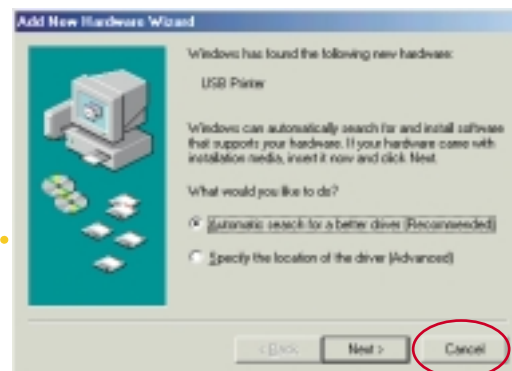
Windows 95, 98, Me, NT, 2000

Make sure the printer is turned on, then turn on your computer.

If you see a screen like this

Click **Cancel**. Then follow the steps below to install the printer software:

- 1 When you see the Windows icons on your monitor, put the EPSON CD-ROM in your CD-ROM or DVD drive.
- 2 Double-click **My Computer**, double-click **EPSON**, then double-click **EPSON**.
- 3 Read the license agreement and click **Agree**.
- 4 At the Main Menu, click **Install Printer Driver**. The files are copied to your computer.
- 5 If you see this screen, make sure the printer is connected and turned on. Click **Retry** if necessary. More files are copied.
- 6 When the installation is complete, click **OK**. The EPSON Product Registration screen appears.
- 7 Register your printer as instructed.
Now you're ready to install optional programs. Go to section 7.



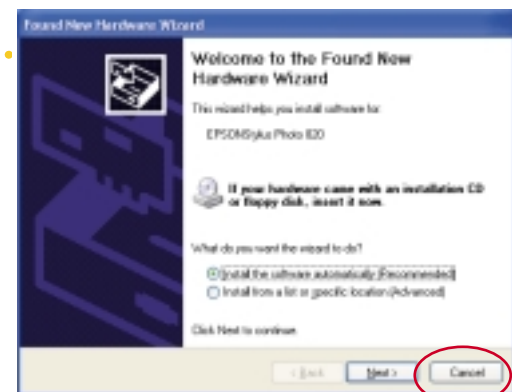
Windows XP

Make sure the printer is turned on, then turn on your computer.

If you see this screen

Click **Cancel**. Then follow the steps below to install the printer software:

- 1 When you see the Windows icons on your monitor, put the EPSON CD-ROM in your CD-ROM or DVD drive.
- 2 If you see a screen asking **What do you want Windows to do?**, click **Cancel**.
- 3 Click **Start**, click **My Computer**, double-click **EPSON**, then double-click **EPSON**.
- 4 Read the license agreement and click **Agree**.
- 5 At the Main Menu, click **Install Printer Driver**. The printer files install.
- 6 If you see this screen, make sure the printer is connected and turned on. Click **Retry** if necessary. More files are copied.
- 7 When you see a message that the printer port has been set or setup is complete, click **OK**. The EPSON Product Registration screen appears.
- 8 Register your printer as instructed.
Now you're ready to install optional programs. Go to section 7.



Macintosh OS 8.5.1 to 9.x

If you're using Macintosh OS X, see the *Read This First* booklet for instructions on installing and using the printer software with OS X.

Make sure the printer is turned on, then turn on your Macintosh.

- 1 When you see your Macintosh icons, put the EPSON CD-ROM in your CD-ROM or DVD drive.
- 2 Double-click the **EPSON CD-ROM** icon, then double-click the **EPSON** icon.
- 3 Read the license agreement and click **Agree**.
- 4 At the Main Menu, click **Install Printer Driver**.
- 5 At the installer screen, click **Install**.
- 6 Follow the on-screen instructions to complete installation and restart your Macintosh.
- 7 After your Macintosh restarts, the EPSON Registration screen appears. Register your printer as instructed.
- 8 Open the **Chooser**, click the **SP820 Series** icon, click your USB port, and turn on background printing.
- 9 Close the **Chooser**.
Now you're ready to install optional programs. Go to section 7.



7 Install Optional Programs

- 1 After you register your printer, close any open windows on your screen until you see the Main Menu. (If you don't see the Main Menu, open your CD-ROM window and double-click the **EPSON** icon.)
- 2 Click **Install Photo Software**. You see this screen:
- 3 Select the software you want, click **Install**, then follow the instructions on the screen. When installation is complete, close any open windows and click **Back** to return to the Main Menu.
NOTE *EPSON Software™ Film Factory™ installs in several stages. If you install ArcSoft™ PhotoImpression™, select **No, I will restart my computer later at the last screen, if necessary.***
- 4 Click **Install Printer Movies and Manual** and follow the instructions on the screen. When installation is complete, click **Exit** or **Quit** to return to the Main Menu.
- 5 Click **Share Photos Online at EPSON PhotoCenter**. You see this screen:
- 6 If you want to place a link to the EPSON PhotoCenter™ website on your desktop, click **Add Icon**. Click **OK**, then click **Back** to return to the Main Menu.
- 7 Click **Exit**, then remove the CD-ROM.



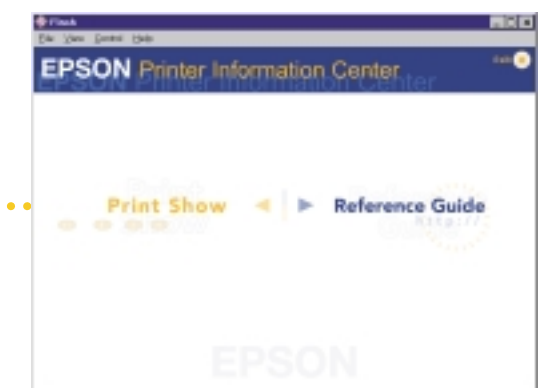
8 Print

Now that you've set up your printer, you're ready to print. See your *Printer Basics* book for instructions.

Or, double-click the **EPSON Printer Information Center** icon on your desktop. You see this screen.

Click **Reference Guide** to view detailed information about your printer.

Click **Print Show** to view helpful animations that show you how to print, load paper and ink, and solve basic problems.



EPSON and EPSON Stylus are registered trademarks of SEIKO EPSON CORPORATION. EPSON PhotoCenter is a service mark and EPSON Software is a trademark of Epson America, Inc.

General Notice: Other product names used herein are for identification purposes only and may be trademarks of their respective owners. EPSON disclaims any and all rights in those marks.

Copyright © 2001 by Epson America, Inc.

Printed on recycled paper. 12/01

Printed in USA
CPD-12673R2
4014184-01