

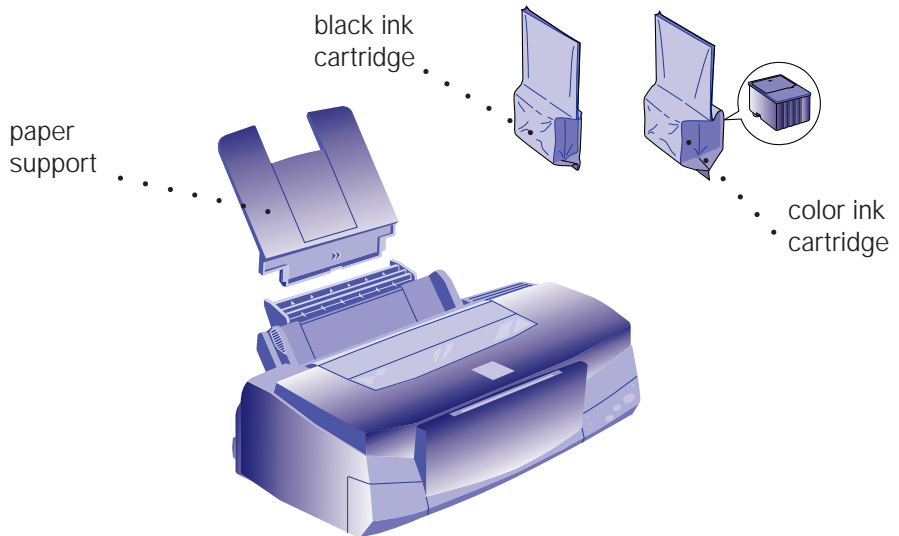
# Quick Setup

Here's how to set up your new EPSON® Stylus Photo printer . . .



## Unpack the Printer

Remove any packing material from the printer, as described on the Notice Sheet in the box. Save all the packaging so you can use it if you need to transport the printer later. You'll find these items inside:



Place the printer flat on a stable desk near a grounded outlet. Leave plenty of room in back for the cables and enough room in front for opening the output tray.

### **Do NOT put the printer:**

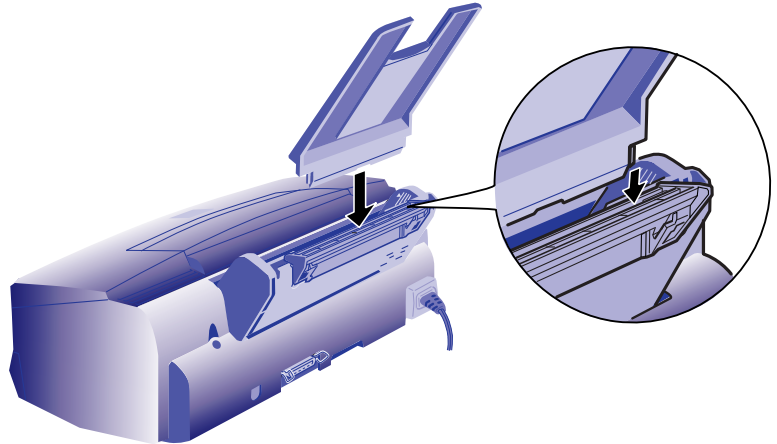
- In an area with high temperature or humidity
- In direct sunlight or dusty conditions
- Near sources of heat or electromagnetic interference, such as loudspeakers or cordless telephone base units.

Also, be sure to follow the Safety Instructions in the Introduction of your *User's Guide*.

# 2

## Attach the Paper Support

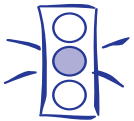
Insert the paper support in the top slot on the back of the printer.



# 3

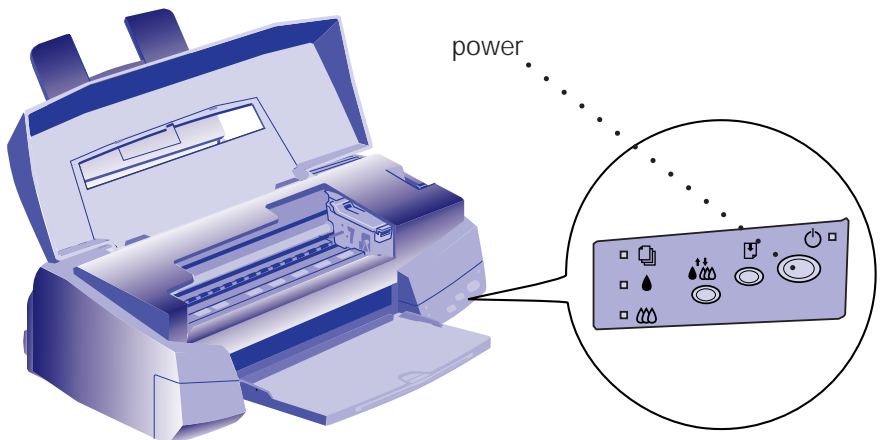
## Plug In the Printer

First make sure the power is off.



### Caution:

Do not plug the printer into an outlet controlled by a wall switch or timer, or on the same circuit as a large appliance. This may disrupt the power, which can erase memory and damage the power supply.

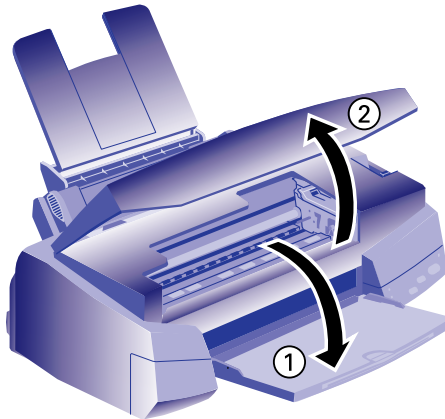






Plug the power cord into a properly grounded outlet.

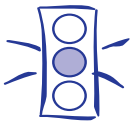
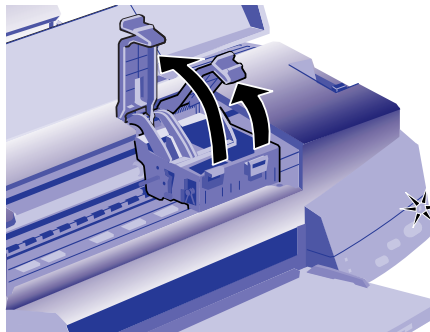


## Install the Ink Cartridges

1. Lower the output tray and raise the printer cover.



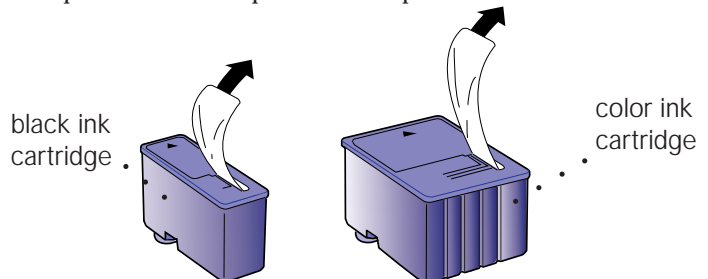
2. Press the  power button to turn on the printer. The  power light flashes, the  and  ink out lights come on, and the ink cartridge holders move to the installation position.
3. Pull up the two ink cartridge clamps.



### Caution:

You must remove the tape seal from the top of the cartridge or you will permanently damage it. Don't remove the tape seal from the bottom or ink will leak.

4. Open the ink cartridge packages. Remove the disposable yellow portion of the tape seal on top.



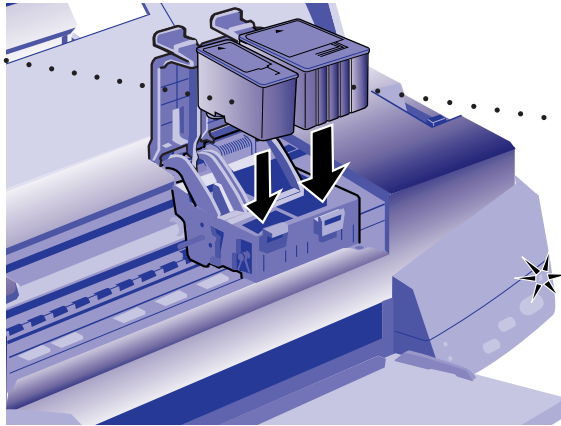


**Warning:**

If ink gets on your hands, wash them thoroughly with soap and water. If ink gets in your eyes, flush them immediately with water.

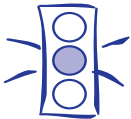
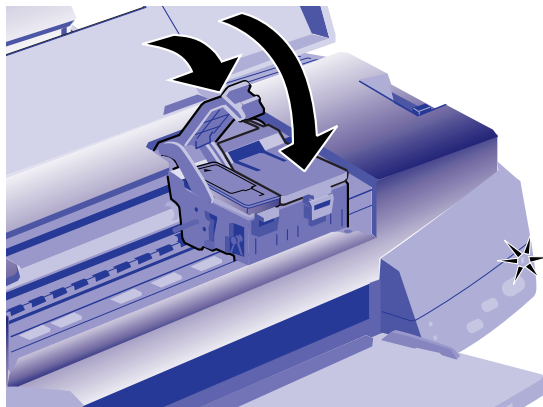
5. Lower the ink cartridges into their holders with the labels face up and the arrows pointing toward the back of the printer.

black ink cartridge . . . . .




color ink cartridge

6. Push down the clamps until they lock in place.



**Caution:**

Never turn off the printer when the power light is flashing, unless the printer hasn't moved or made any noise for more than 5 minutes.

7. Press the  cleaning button and close the printer cover. The printer moves the print heads and begins charging the ink delivery system. Charging can take up to seven minutes. The power light flashes, and the printer makes various sounds.

# 5

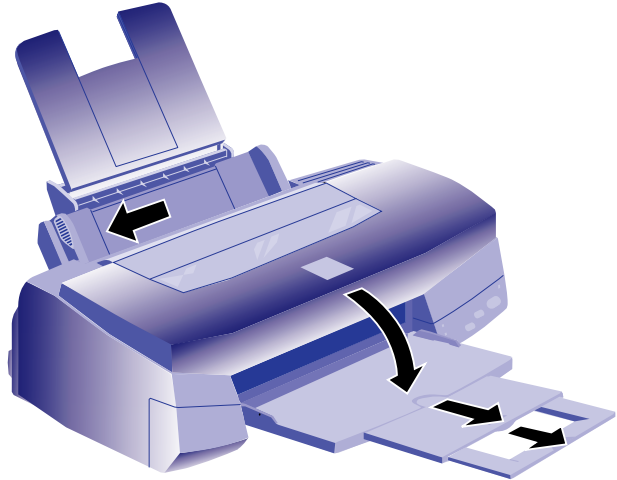
## Load the Paper

1. Slide the left edge guide all the way left and pull out the output tray extensions.



**Note:**

Keep unused paper in its original packaging and store it in a cool, dark place.

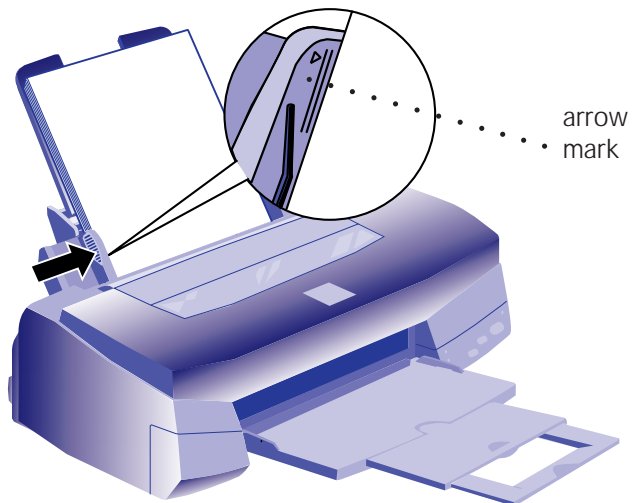


2. Fan a stack of plain paper and then even the edges.
3. Load the stack with the printable surface face up. Push the paper against the right edge guide.



**Note:**




Don't load paper above the arrow mark inside the left edge guide.



4. Slide the left edge guide back against the stack of paper.

# 6

## Check the Printer

1. Turn off the printer.
2. Hold down the  load/eject button and press the  power button. Hold down the buttons until the  power light starts to flash. Then release the buttons.

A page prints out showing the ROM version and a nozzle check pattern.

3. When it's finished, turn off the printer. If you have any problems with the test, see Chapter 6 in your *User's Guide* for more information.

# 7

## Connect the Printer to Your Computer

You can connect your EPSON Stylus™ Photo to either an IBM® compatible PC or an Apple® Macintosh®. You'll need a shielded, twisted-pair parallel cable to connect to a PC or an Apple System Peripheral-8 cable to connect to a Macintosh. For a complete list of system requirements, see the Introduction of your printer *User's Guide*.

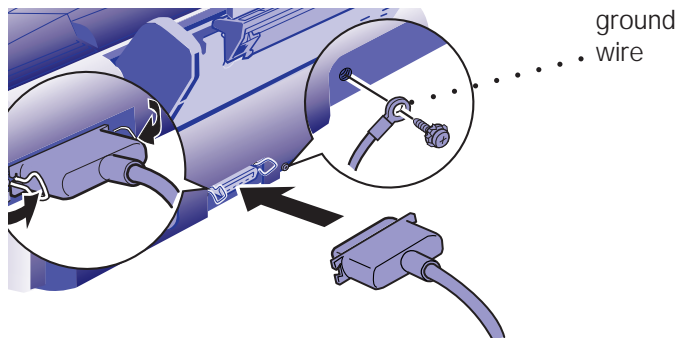


### Note:

The printer is assigned to parallel port LPT1; if you want to use a different port, see your Windows documentation for instructions.

### Connecting to a PC

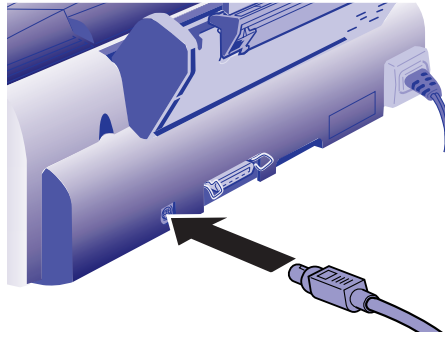
1. Turn off the printer and your computer.
2. Connect the cable to the printer's parallel interface; then squeeze the wire clips together until they lock in place. (If your cable has a ground wire, connect it now.)



3. Connect the other end of the cable to your computer's parallel port and secure it as necessary.



## Connecting to a Macintosh

1. Turn off the printer and your Macintosh.
2. Connect one end of the cable to the serial connector on the back of the printer.



### Note:

If you're using a PowerBook™, connect your printer to the modem port. If your Macintosh has an internal modem, use the printer port.

3. Connect the other end of the cable to either the modem port  or the printer port  on your Macintosh.

# 8

## Install the Software

Your EPSON Digital Darkroom CD-ROM includes the software for both Windows® and Macintosh.® You must install the printer driver software for the printer to work correctly.

Before you start, make sure both your computer and the printer are turned off.



### Note:

If you don't have a CD-ROM drive, you can get the printer driver software on diskettes or download it through your modem. Check out EPSON's Home Page at <http://www.epson.com>. For more information, see your *User's Guide* Introduction.

## Installing the Software for Windows

1. Turn on the printer first, then your computer. Make sure Windows 95 or Windows 3.1 is running.  
  
If the Windows 95 New Hardware Found screen appears, choose Do not install a driver and click OK.
2. Insert the EPSON Digital Darkroom CD-ROM in your drive. The EPSON Digital Darkroom main screen appears.

If the EPSON Digital Darkroom doesn't open automatically in Windows 95, double-click My Computer, then double-click your CD-ROM icon.

If you're using Windows 3.1, select Run from the File menu. Type D:\INSTALL and click OK. (If your drive has a different letter, substitute it for D.)

3. When you see the EPSON Digital Darkroom main screen, click INSTALL PRINTER DRIVERS. Then follow the instructions on the screen to install your printer driver software.

After installation is complete, you can use the EPSON Digital Darkroom CD-ROM to install LivePix™ (Windows 95 only) or print the coupon.

## Installing the Software on a Macintosh

1. Turn on your printer, then turn on your Macintosh. Make sure you turn off any virus protection programs you may be using.
2. Insert the EPSON Digital Darkroom CD-ROM and double-click the EPSON Digital Darkroom icon.
3. When you see the EPSON Digital Darkroom main screen, click INSTALL PRINTER DRIVERS. Then follow the instructions on the screen to install your printer driver software.

After your Macintosh restarts, you can open the EPSON Digital Darkroom CD-ROM again and install Live Picture® or print the coupon. But before you can print, you must select your printer in the Chooser as described below.

### *Selecting Your Printer*

After you install the software, you need to select your printer using the Chooser.

1. Open the Chooser and click the EPSON Stylus (EX) icon.
2. Select the port where you connected your printer.
3. Turn on background printing if you want to run your print jobs and use your Macintosh at the same time. (Background printing is slower and may also slow down your Macintosh while you're printing.)
4. If you're using the printer port on your Macintosh, make sure AppleTalk is inactive.