


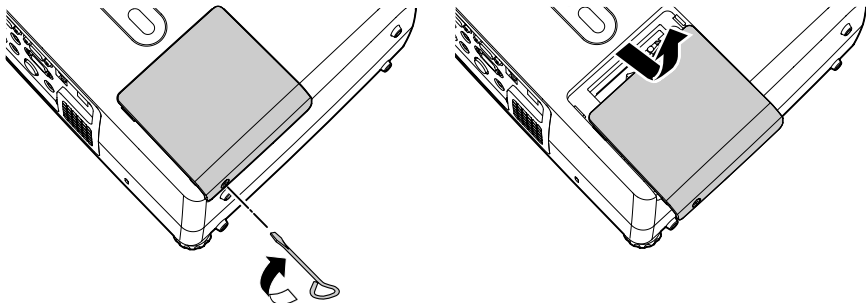
Lamp Replacement Update

Please substitute the lamp replacement instructions below for the instructions in your *Epson® PowerLite® 61p/81p User's Guide*:

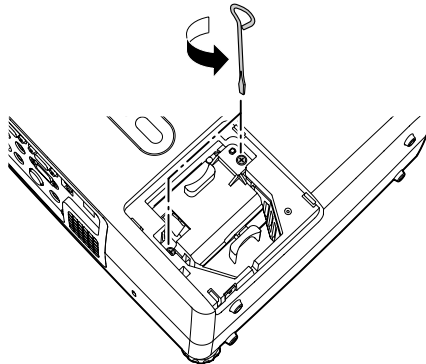
1. Press the  Power button twice to turn off the projector. When the projector beeps twice, unplug the power cord.
2. If the projector has been on, allow it to cool down for at least an hour (or until the lamp is cool).

Warning: Let the lamp cool before replacing it. If the lamp breaks, handle the shards carefully to avoid injury.

3. Use a screwdriver to loosen the screw holding the lamp cover. (The cover is on top of the projector.)
4. Slide the cover out, then lift it off.

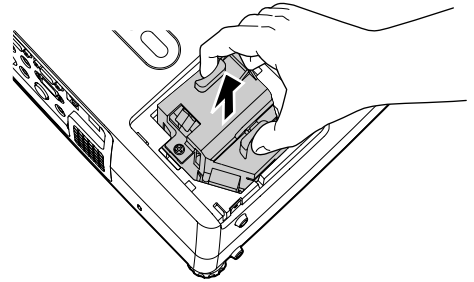


6. Use the screwdriver to loosen the two screws holding the lamp in place. You can't remove them.



8. Hold the lamp as shown and pull it straight out.

Note: This product includes a lamp component that contains mercury (Hg). Please consult your state and local regulations regarding disposal or recycling. Do not put it in the trash.

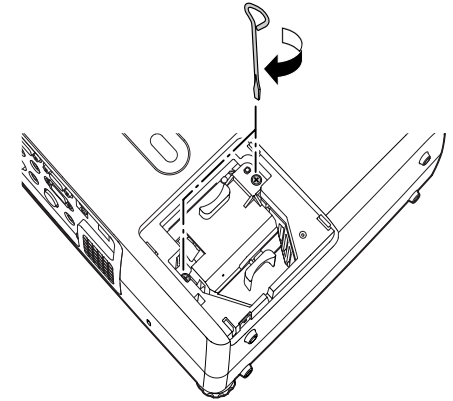


9. Gently insert the new lamp. If it doesn't fit easily, make sure it's facing the correct way.

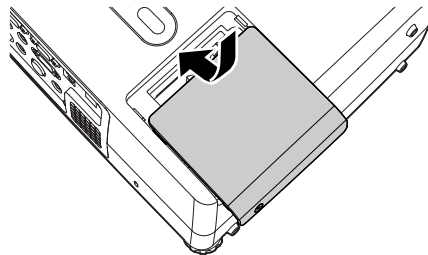
Caution: Do not touch the glass portion of the lamp assembly. Touching the glass could result in premature lamp failure.

10. Once the lamp is fully inserted, tighten its screws.

Note: Be sure to seat the lamp fully and secure the lamp cover. If the lamp is not properly installed or the cover is loose, the lamp will not turn on.



11. Lower the lamp cover into place. (The top of the cover should be flush with the surface of the projector.) Then slide the cover closed and tighten the screw.



12. Reset the lamp timer as described in the *User's Guide*.

Epson is a registered trademark of Seiko Epson Corporation.

PowerLite is a registered trademark of Epson America, Inc.