

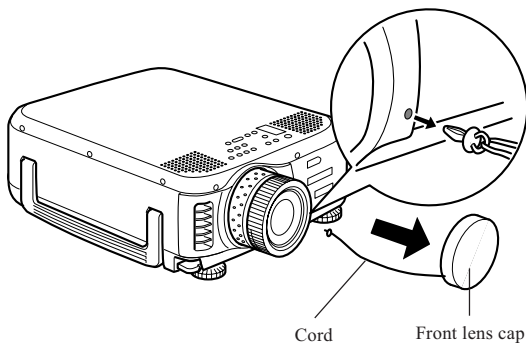
## **2. Attaching the long throw attachment lens**

### **Memo**

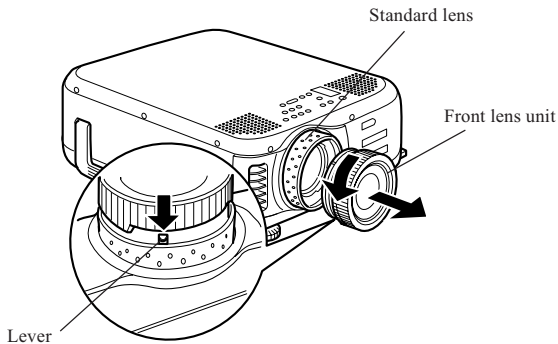
Ensure that the lens is attached and detached in a clean room free from dust. Dust entering the inside of the lens may result in damage.

### **2-1. Removing the front lens unit from the standard lens**

- (1) Remove the front lens cap and cord from the standard lens.  
Tug on the cord gently to remove it.



- (2) Press down the lever on the front lens unit, and rotate it in the direction of the arrow.
- (3) Pull it out to remove it.

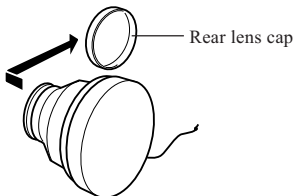


### **Memo**

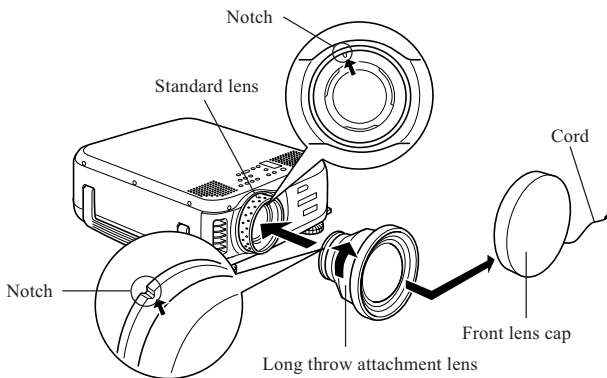
- Gently move the front lens unit to the left and right and then pull it out horizontally when removing it.
- Do not leave the projector for long periods, or carry it around with the front lens unit detached. Dust entering the inside of the lens may result in damage.

## 2-2. Attaching the long throw attachment lens

- (1) Remove the rear lens cap from the long throw attachment lens.



- (2) Align the notch on the long throw attachment lens with the notch on the standard lens. Both notches are marked in red.



- (3) Rotate it in the direction of the arrow until it will turn no further.
- (4) Insert the end of the cord attached to the front lens cap into the projector's case.
- (5) Remove the front lens cap to use the projector.

**Memo**

- Once the lens has been attached, gently move it left and right to ascertain that it is fixed firmly in place.
- Use the long throw attachment lens's rear cap as the rear cap for the front lens unit of a standard lens.
- Ensure that both the front and rear lens caps are set in place when the long throw attachment lens and the standard lens front lens unit are not being used. Failure to observe this may result in the lenses getting scratched.

**Memo**

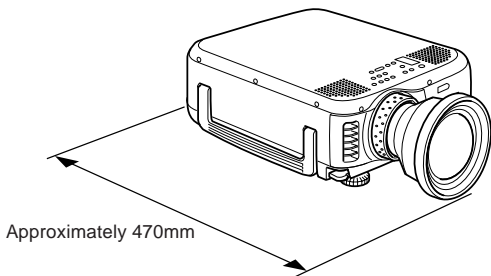
- Perform the same procedure as explained in [2-1. Removing the Front Lens Unit from the Standard Lens] when detaching the long throw attachment lens.
- Perform the same procedure as explained in [2-2. Attaching the Long Throw Attachment Lens] when reattaching the standard lens front lens unit.

## 4. Long throw attachment lens specifications

### 4-1. Lens specifications

1. Focus distance : 63.7 to 82.5mm
2. Zoom : x1.3
3. F number : 1.7 to 2.3
4. Size : Diameter 138 x length 101mm
5. Weight : Approximately 1600g

### 4-2. External view with the long throw attachment lens mounted



#### **Memo**

Do not project images with the front lens cap set in place. Failure to observe this may result in lens cap malformation.

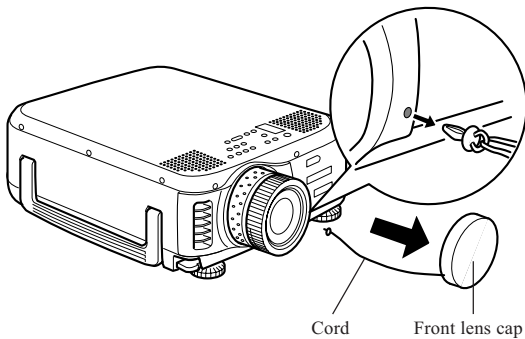
## 2. Attaching the wide attachment lens

### **Memo**

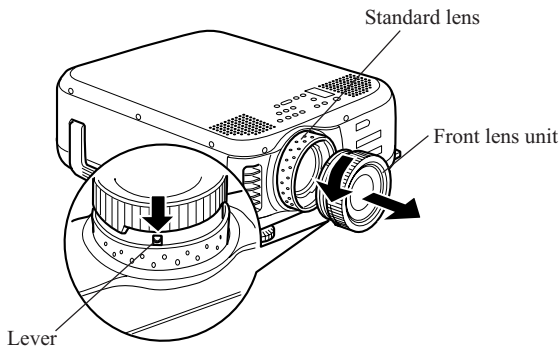
Ensure that the lens is attached and detached in a clean room free from dust. Dust entering the inside of the lens may result in damage.

### **2-1. Removing the front lens unit from the standard lens**

- (1) Remove the front lens cap and cord from the standard lens.  
Tug on the cord gently to remove it.



- (2) Press down the lever on the front lens unit, and rotate it in the direction of the arrow.
- (3) Pull it out to remove it.

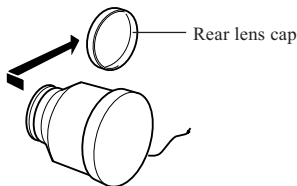


### **Memo**

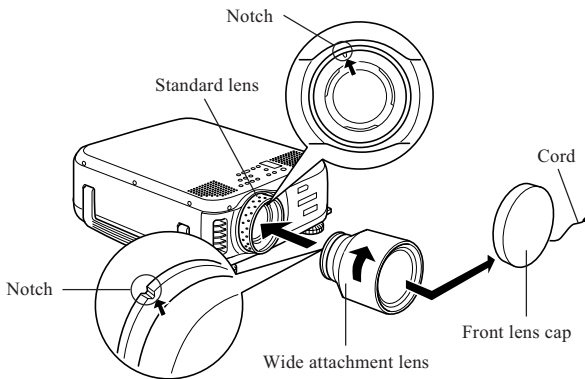
- Gently move the front lens unit to the left and right and then pull it out horizontally when removing it.
- Do not leave the projector for long periods, or carry it around with the front lens unit detached.  
Dust entering the inside of the lens may result in damage.

## 2-2. Attaching the wide attachment lens

- (1) Remove the rear lens cap from the wide attachment lens.



- (2) Align the notch on the wide attachment lens with the notch on the standard lens. Both notches are marked in red.



- (3) Rotate it in the direction of the arrow until it will turn no further.
- (4) Insert the end of the cord attached to the front lens cap into the projector's case.
- (5) Remove the front lens cap to use the projector.



**Memo**

- Once the lens has been attached, gently move it left and right to ascertain that it is fixed firmly in place.
- Use the wide attachment lens's rear cap as the rear cap for the front lens unit of a standard lens.
- Ensure that both the front and rear lens caps are set in place when the wide attachment lens and the standard lens front lens unit are not being used. Failure to observe this may result in the lenses getting scratched.

**Memo**

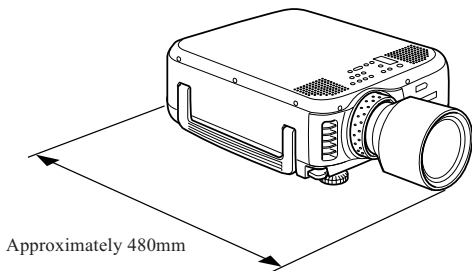
- Perform the same procedure as explained in [2-1. Removing the Front Lens Unit from the Standard Lens] when detaching the wide attachment lens.
- Perform the same procedure as explained in [2-2. Attaching the Wide Attachment Lens] when reattaching the standard lens front lens unit.

## 4. Wide attachment lens specifications

### 4-1. Lens specifications

1. Focus distance : 37.2 to 48.1mm
2. Zoom : x1.3
3. F number : 1.7 to 2.3
4. Size : Diameter 116 x length 113mm
5. Weight : Approximately 1400g

### 4-2. External view with the wide attachment lens mounted



#### **Memo**

Do not project images with the front lens cap set in place. Failure to observe this may result in lens cap malformation.