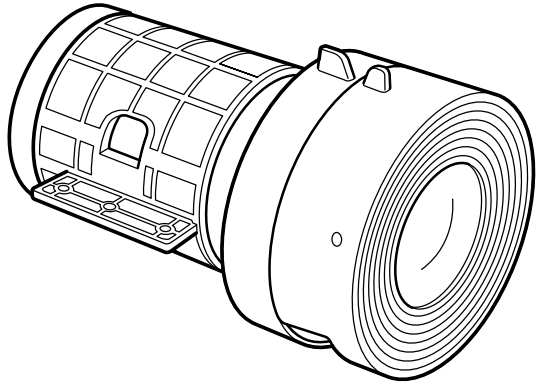


# EPSON®



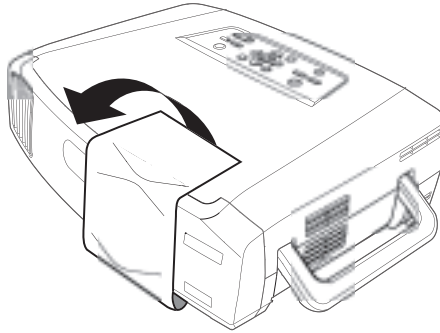
## Lens Installation

*Installing an optional lens in the no-lens model  
of the PowerLite® 7800p or 7850p projector*

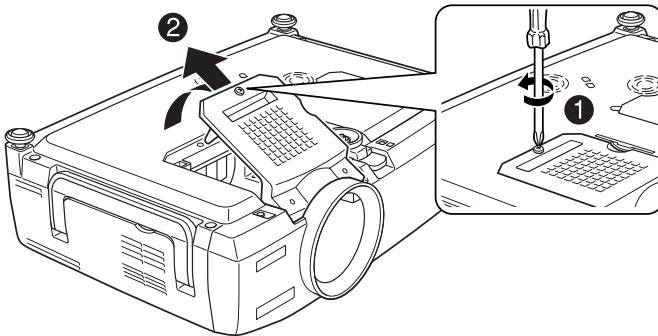
Follow these instructions to install an optional lens in the no-lens model of the PowerLite 7800p or 7850p projector.

**Warning:** To avoid electric shock, disconnect the power cord before starting.

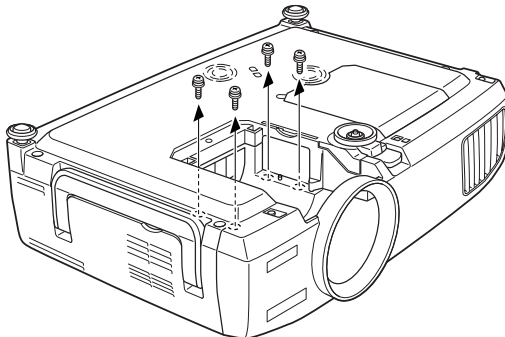
1. Remove the protective seal from the projector.



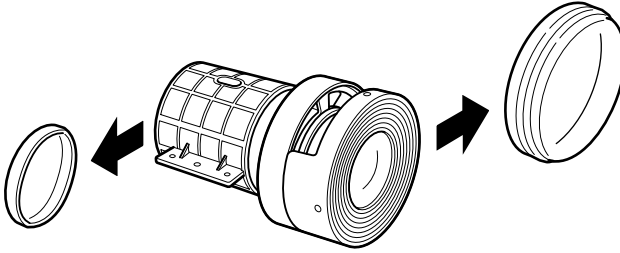
2. Turn the projector over and use a screwdriver to remove the lens cover.



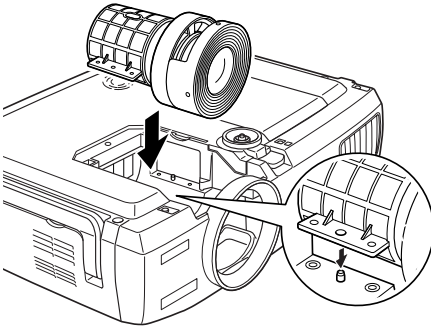
3. Remove the four screws from the lens mount inside the projector.



4. Remove the front and rear caps from the new lens.



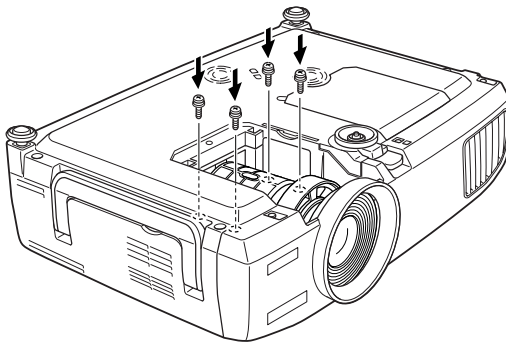
5. Lower the lens into the projector, making sure the focus and zoom knobs face downward so they fit through the slot in the projector's case.



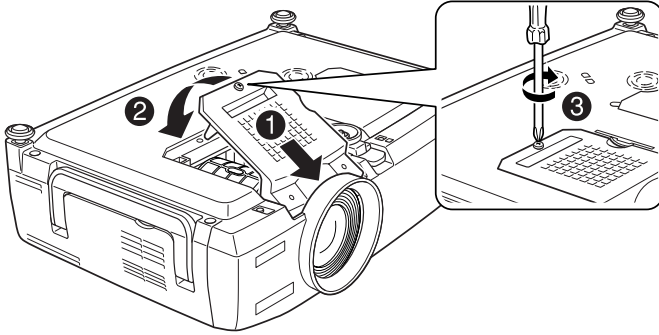
Make sure focus and zoom knobs face downward.



6. Secure the lens with the four mounting screws you removed in step 3.



7. Replace the lens cover and tighten its screw.



8. Turn on the projector and verify that it operates normally.

Epson is a registered trademark of Seiko Epson Corporation.

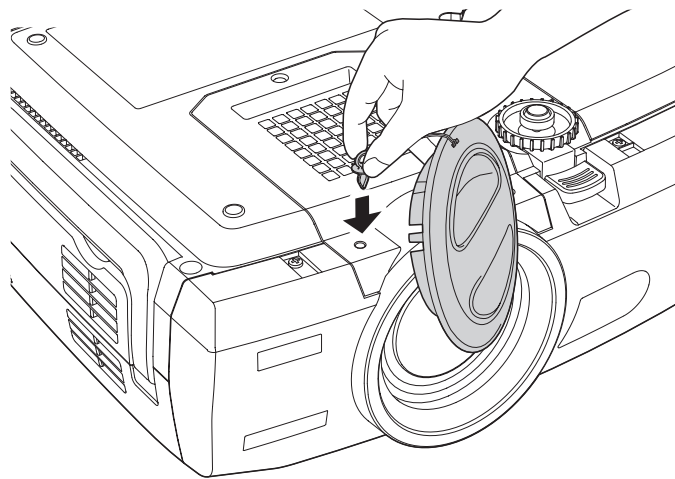
PowerLite is a registered trademark of Epson America, Inc.

© 2004 Epson America, Inc. 1/04

# *Epson® PowerLite® 7800p/7850p Lens Cover Notice*

The lens cover is located in the accessories box that comes with the projector.

Before you start using the projector, turn it over and attach the lens cover as shown:



Epson is a registered trademark of Seiko Epson Corporation.

PowerLite is a registered trademark of Epson America, Inc.

© 2004 Epson America, Inc. 1/04

CPD-17795