

Rear Feed Printing

for

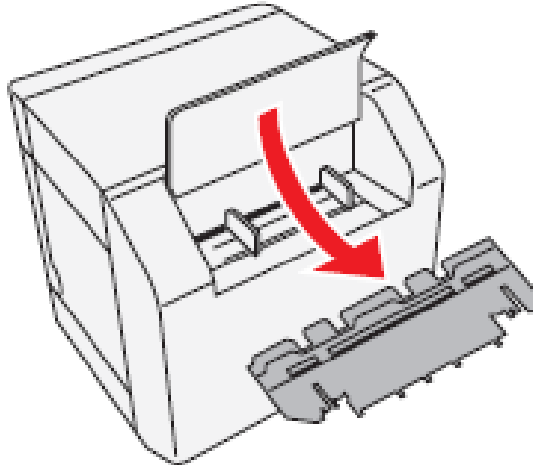
Epson® SecurColor™ Inkjet Printer (TM-C3400)



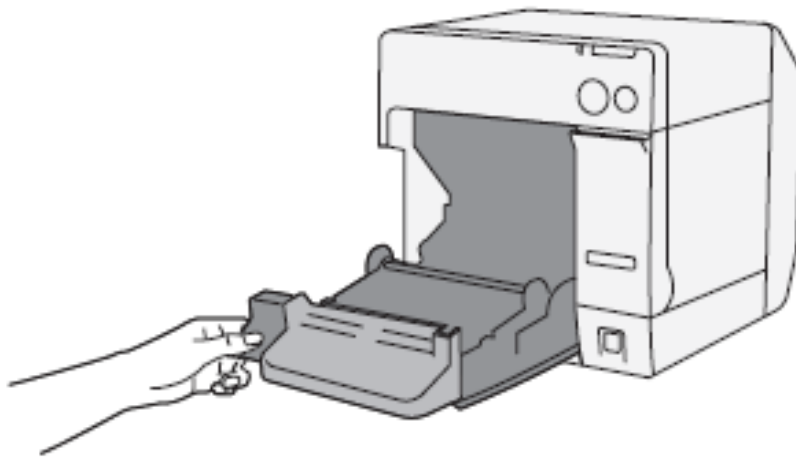
By: Ernie Villarreal
Kelly Ng

Rev. C

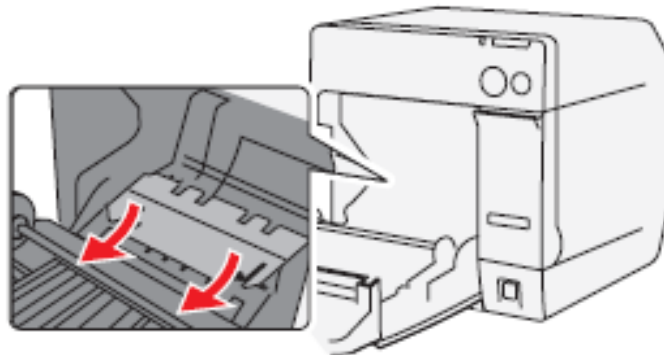
1. Open the fanfold paper cover and remove the paper feed guide



2. Open the front paper roll cover.

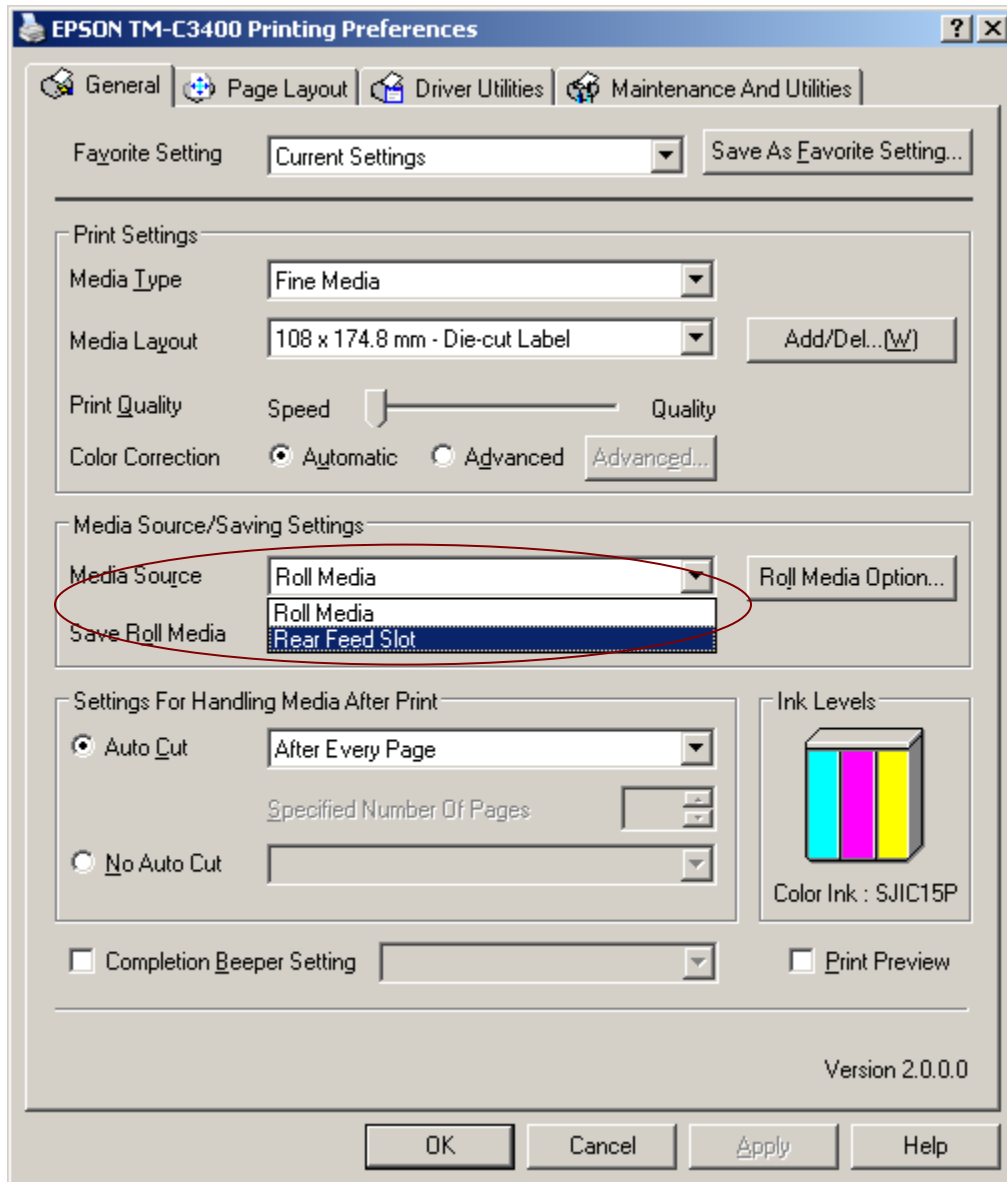


3. Insert the paper feed guide into the grooves inside the paper roll cover

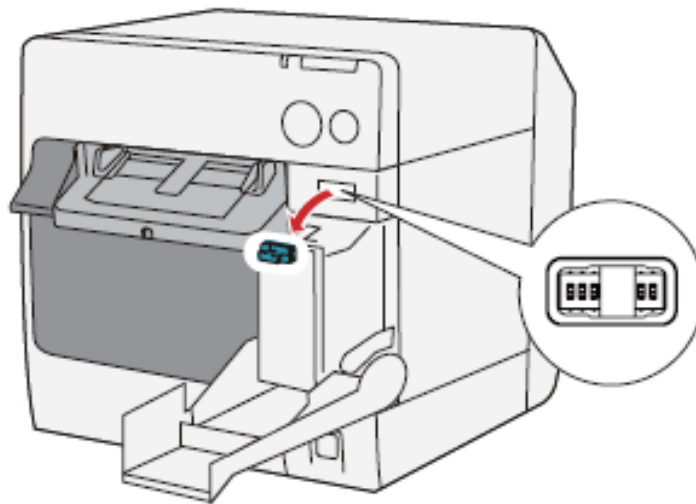


4. Close the paper roll cover
5. Go to the driver "Printing Preferences", automatically you end up on the "General tab".

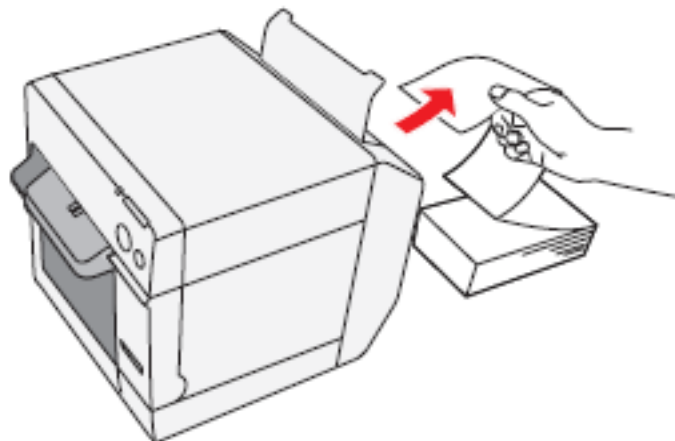
6. Go to “Media Source” and select “Rear Feed Slot”.
7. Click OK.



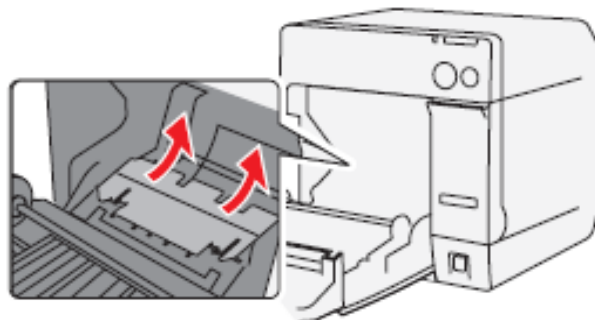
8. Turn the printer off. Open the ink cartridge cover. Remove the small rubber grommet. Switch DIP switch 3 to ON.



9. Turn the printer on. Load the Fanfold paper.



10. To discontinue rear feed printing, see the picture and text below.



11. Make sure to set driver back to “Roll Media” and turn the printer OFF and set DIP Switch 3 to OFF.