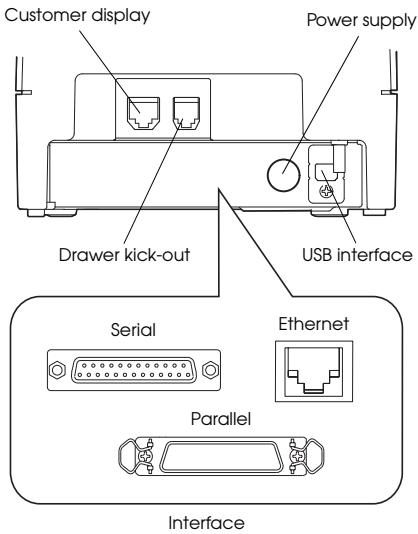
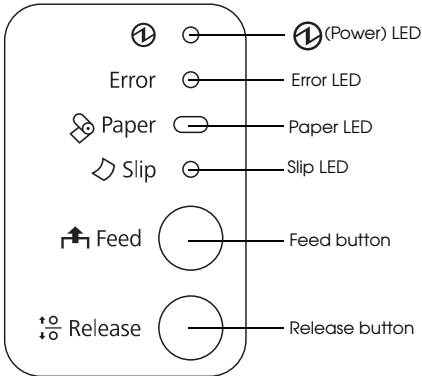
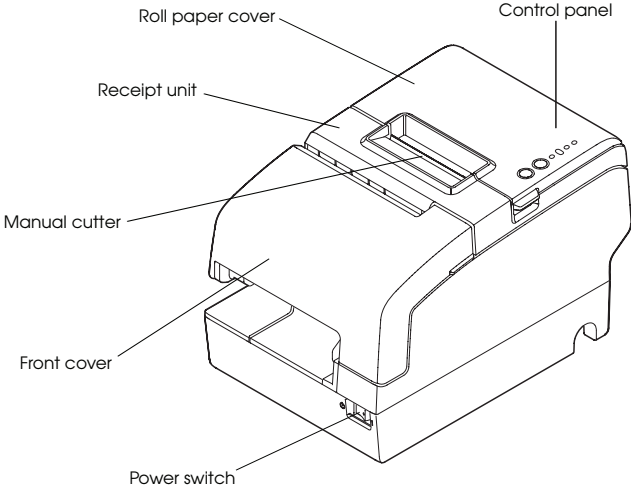


TM-H6000IV Product Information Guide

What's in the Box	1
Accessories.....	1
Printer Specifications	1
Media	2
Reliability.....	2
Safety.....	2
Dimensions	2
Dip Switches.....	2
Control Panel.....	3
Loading Paper	4
Installing a Ribbon.....	4
Testing the Printer	4
Removing a Paper Jam.....	5
Related Documentation	5



What's in the Box

- Printer
 - User's Manual
 - Small thermal paper roll (for operational testing)
 - Power Supply and AC Cable (Energy Star models only)
 - Cable Connector Cover
 - Power Switch cover
 - ERC-32B (slip/drop-in validation ribbon)
 - ERC-43B (endorsement ribbon)*
- * Included with endorsement printer models only.

Accessories

Option	Model	Part Number
AC adapter (with AC cable)	PS-180	C825343
AC adapter (without AC cable)	PS-180	C825341
AC cable	AC CABLE	205498100
Interface boards	UB series	see price sheet
Epson customer display series	DM-D	see price sheet
58 mm paper guide	PG-58II	C32C814622
Endorsement ribbon	ERC-43(B)	ERC-43(B)
Franker cartridge	EFC-02	A43S020479

Printer Specifications

Printing

Print methods: receipt:
thermal line printing

slip (endorsement):
serial impact dot matrix

Receipt Section

Dot density: 180 dpi × 180 dpi
(dpi = dots per inch [25.4 mm])

Print width: 2.83" (72 mm), 512 dots (3.15" paper)
2.1" (52.5 mm), 360 dots (2.28" paper)

Characters per line: font A: 42, font B: 56 (3.15" paper)
font A: 30, font B: 40 (2.28" paper)

Print direction: unidirectional with friction feed

Print speed: 11.81"/sec. (300 mm/sec.) maximum

Paper feed speed: approx. 7.87"/sec. [200 mm/sec.]
(continuous paper feed)

Character sets: alphanumeric: 95 characters;
international: 37 characters;
extended graphics: 128 × 11 pages
(including a space page)

Slip/Endorsement Section

Head wire matrix: 9-pin vertical; 1/72" wire pitch
Print width: 2.80" (71.2mm) max
Characters per line: Front:
font A: 45; font B: 60;
Endorsement:
font A: 25; font B: 33; endorsement: 40
Printing direction: Bidirectional, minimum distance printing
Print speed: Front:
Approx 5.7 lps (40-column, 17.8 cpi
with normal head energizing)
Endorsement:
Approx 4.0 lps (40-column, 21.1 cpi
with normal head energizing)
Character sets: alphanumeric: 95 characters;
international: 37 characters;
extended graphics: 128 × 11 pages
(including a space page)

Interfaces

Built-in: USB 2.0 Full-speed
Optional: serial, parallel, USB, Ethernet, and
wireless

Media

Roll Paper

Paper type: thermal roll paper
Paper size: 58mm or 80 mm wide

Slip Paper

Paper type: normal, pressure-sensitive, or carbon
copy paper
Paper size: 2.68 to 9.06" (W) × 2.68 to 11.69" (L)
[68 to 230 mm (W) × 68 to 297 mm (L)]
Minimum
paper size: 2.68 × 5.98" (68 × 152 mm)
Sheets: 3 parts maximum
Total thickness: 0.0035 to 0.0122" (0.09 to 0.31 mm)

Reliability

Receipt Printer

Print head life: 150 million pulses, 150 km
Mechanism: 20 million lines
Autocutter: 2 million cuts
MTBF: 360,000 hours
MCBF: 96 million lines

Endorsement Printer

Print head life: 200 million characters
MTBF: 180,000 hours
MCBF: 65 million lines

Safety

EMI: FCC part 15B Subpart B Class A
CAN/CSA-CEI/IEC CISPR 22 Class A
Safety Standards: UL60950-1
CAN/CSA C22.2 No.60950-1
(Tested using the PS-180.)

Dimensions

Dimensions
(H × W × D): 7.13" 7.32" × 10.94"
(181 mm × 186 mm × 278 mm)
Weight: approx. 9.70 lb (4.4 kg)

Dip Switches

Serial Interface

Bank 1	Function	ON	OFF
1	Data reception error	Ignored	Prints "?"
2	Receive buffer capacity	45 bytes	4 KB
3	Handshaking	XON/XOFF	DTR/DSR
4	Word length	7 bits	8 bits
5	Parity check	Yes	No
6	Parity selection	Even	Odd
7 and 8	Transmission speed	See table below	

Transmission speed	Switch 1-7	Switch 1-8
4800	ON	ON
9600	OFF	ON
19200	ON	OFF
38400	OFF	OFF

Bank 2	Function	ON	OFF
1	Handshaking (BUSY)	Receive buffer full	Offline or receive buffer full
2	Customer display (DM-D) connection	Connected	Not connected
3 and 4	Print density	See table below	
5 and 6	Reserved	Set to OFF (Do not change.)	
7	I/F pin 6 reset	Enabled	Disabled
8	I/F pin 25 reset	Enabled	Disabled

Level	Function	Switch 2-3	Switch 2-4
1	Standard	OFF	OFF
2	Medium	ON	OFF
3	Dark	OFF	ON

Parallel Interface

Bank 1	Function	ON	OFF
1	Auto line feed	Always enabled	Always disabled
2	Receive buffer capacity	45 bytes	4 KB
3 — 8	Reserved	Set to OFF (Do not change.)	

Bank 2	Function	ON	OFF
1	Handshaking (BUSY)	Receive buffer full	Offline or receive buffer full
2	Reserved	Set to OFF (Do not change.)	
3 and 4	Print density	See table below	
5 — 7	Reserved	Set to OFF (Do not change.)	
8	I/F pin 31 reset	Set to ON (Do not change.)	

Level	Function	Switch 2-3	Switch 2-4
1	Standard	OFF	OFF
2	Medium	ON	OFF
3	Dark	OFF	ON

Control Panel

LEDs

Ⓜ (Power)

On when the power is on.

Note: Turn off the product before opening any covers.

Error

Steadily on when the printer is offline. See if a cover is open. Blinking if there is an error. Turn the printer off for a few seconds, then turn the printer back on. If still blinking, contact a dealer or qualified service person.

Paper

Comes on when roll paper is low or out. Flashes when the product is performing a self-test.

Slip

Blinks when the printer is ready to receive slip paper. Steadily on during printing of a slip, and blinks again when slip paper should be removed.

Buttons

Feed

Pressing this button once feeds paper by one line. Holding this button down feeds paper continuously.

Release

Pressing this button releases slip paper or starts a slip paper self-test.

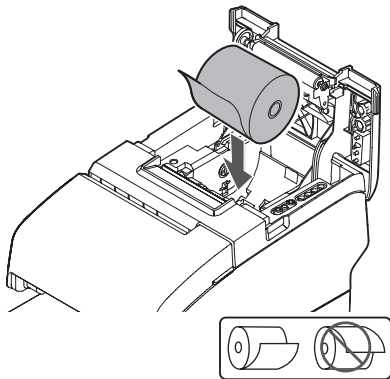
Loading Paper

Receipt Section

Caution: To avoid injury, do not touch any part of the printer other than the roll paper when the cover is open.

Note: Do not open the paper roll cover when the printer is printing or feeding paper. Only use paper that meets specifications, and do not use rolls that have the paper glued onto the core.

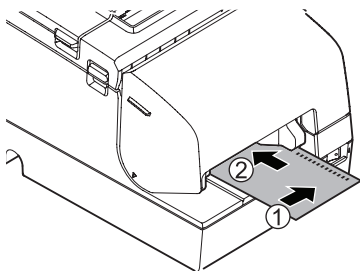
1. Be sure the printer is not receiving data, then open the roll paper cover by lifting the two tabs on the roll paper cover and pushing the cover back.
2. Remove the used roll paper core, if there is one, and insert the roll paper in the direction shown below.



3. Pull out some paper, and close the roll paper cover.
4. Tear off the extra paper using the manual cutter.

Slip Section

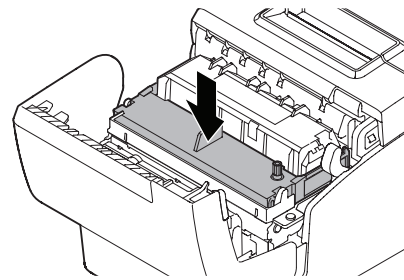
When inserting slip paper, be sure that the right side of the paper is against the right side of the paper guide as shown below.



Installing a Ribbon

Note: Be sure to turn on the power before installing the ribbon.

1. Unpack the ribbon and turn the knob on the ribbon in the direction marked on the ribbon to remove any slack.
2. Turn the printer on.
3. Open the printer's front cover using the tabs on each side of the cover.
4. Remove the old ribbon, if this is one.
5. Insert the new ribbon until it clicks into place.



6. Close the printer's front cover.

Testing the Printer

Receipt Section

Follow the steps below to perform a self-test on roll paper:

1. Make sure the printer is off and all the covers are closed.
2. Press and hold the **Feed** button and turn on the printer. The printer prints its status and the **Paper** LED begins flashing.
3. To continue the self-test, press the **Feed** button.

The self test is complete when ***** completed ***** is printed.

Slip Section

Follow the steps below to perform a self-test on roll paper:

1. Make sure the printer is off and all the covers are closed.
2. Press and hold the **Release** button and turn on the printer.
3. When the **Slip** LED begins flashing, insert a slip.

The self test is complete when ***** completed ***** is printed.

Removing a Paper Jam

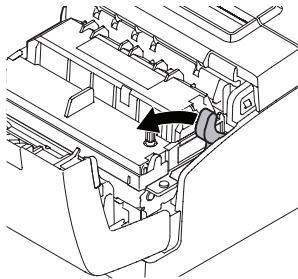
Receipt Section

Caution: Do not touch the thermal head, because it can be very hot after printing. Let it cool before you remove the jammed paper.

1. Turn off the printer.
2. Open the roll paper cover by lifting the two tabs on the roll paper cover and pushing the cover back.
3. Remove the jammed paper.
4. Close the roll paper cover.

Slip Section

1. Turn off the printer.
2. Open the printer's front cover using the tabs on each side of the cover.
3. Open the franking unit using the lever at the right of the franking unit.



4. Remove the jammed paper.

Related Documentation

EPSON TM-H6000IV Specifications

EPSON TM-H6000IV Developer Guide

EPSON TM-H6000IV User Guide

EPSON TM-H6000IV Technical Manual