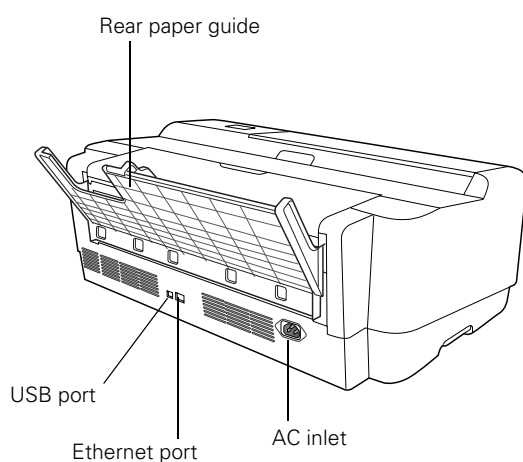
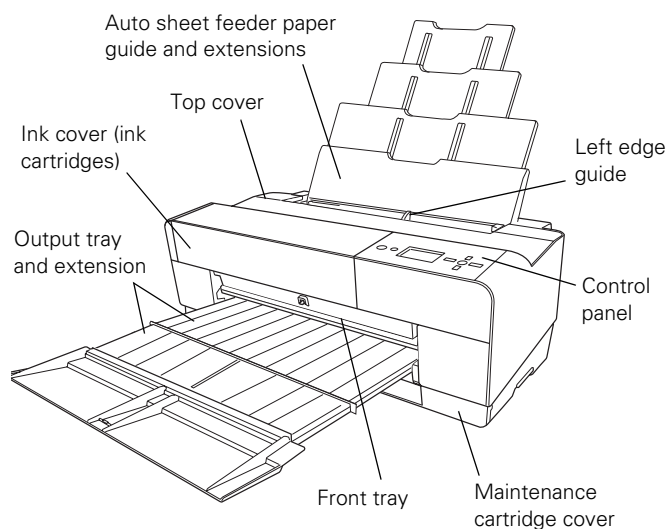


Printer Parts



Printer Specifications

Printing

Printing method	Pressurized on-demand ink jet
Nozzle configuration	Black: 180 nozzles × 3 (Photo Black or Matte Black, Light Black, Light Light Black) Color: 180 nozzles × 5 (Cyan, Magenta, Light Cyan, Light Magenta, Yellow)
Resolution	Maximum 2880 × 1440 dpi
Print direction	Bidirectional
Control code	ESC/P® Raster
RAM	64MB
Character tables	PC 437 (US, Standard Europe) PC 850 (Multilingual)
Character sets	Epson Courier 10 cpi
Character mode	Character pitch: 10 characters per inch Printing columns: 167

Printable Area

The default margins around the printable area are 0.12 inch (3 mm) for the top, right, and left, and bottom.

The borderless printing feature allows edge-to-edge printing on some media (in the auto sheet feeder or rear paper slot).

Electrical

Specification	Description
Input voltage range	90 V to 264 V
Rated frequency range	50 to 60 Hz
Input frequency range	49 to 61 Hz
Rated current	0.6 A at 120 V 0.3 A at 220 V
Power consumption	Approx. 25 W or less (ISO 10561 letter pattern) in standard operating mode; 5 W or less in low power mode; 0.3 W or less in power off mode

Note: Check the label on the back of your printer for voltage information.

Environmental

Specification	Operation	Storage
Temperature	50 to 95 °F (10 to 35 °C) Print quality guarantee: 59 to 77 °F (15 to 25 °C)	-4 to 104 °F (-20 to 40 °C)
Humidity (without condensation)	20 to 80% RH 40 to 60% RH for optimum print quality For optimal operation, humidity should be between 35 and 45% RH	5 to 85% RH

Dimensions and Weight

Specification	Covers closed	Covers open
Height	10.28 inches (257 mm)	22.8 inches (579 mm)
Width	27.36 inches (684 mm)	27.36 inches (684 mm)
Depth	14.88 inches (376 mm)	37.87 inches (962 mm)
Weight	43.2 lb (19.6 kg) with cartridges installed	

Printer Interfaces

- USB (1.1 and 2.0 compatible)
- Ethernet (10/100Base-TX)

Safety Approvals

Safety standards UL 60950-1, CSA 22.2 No. 60950-1

EMC FCC part 15 subpart B, class B, CSA
C108.8 class B

Ink Cartridges

Cartridge life 2 years from production date if
unopened; within 6 months after
opening package, at 77 °F (25 °C)

Temperature -4 to 104 °F (-20 to 40 °C);
1 month at 104 °F

Capacity 80 ml

Dimensions Width: 1.19 inches (30.1 mm)
Depth: 3.68 inches (93.4 mm)
Height: 2.76 inches (70.2 mm)

Options and Supplies

Epson offers the following optional upgrades and supplies for your Stylus Pro 3800. You can purchase genuine Epson ink and paper from an authorized Epson reseller. To find the nearest reseller, call 800-GO-EPSON (800-463-7766). Or you can purchase online at www.epsonstore.com (U.S. sales) or www.epson.ca (Canadian sales).

Ink Cartridges / Maintenance Cartridge

Ink cartridges / maintenance cartridge	Product code
Photo Black Ink Cartridge	T580100
Cyan Ink Cartridge	T580200
Magenta Ink Cartridge	T580300
Yellow Ink Cartridge	T580400
Light Cyan Ink Cartridge	T580500
Light Magenta Ink Cartridge	T580600
Light Black Ink Cartridge	T580700
Matte Black Ink Cartridge	T580800
Light Light Black Ink Cartridge	T580900
Replacement Ink Maintenance Cartridge	T582000

Printer Cover

You can purchase a nylon cover to protect the printer from dust, spills, and scratches. Order the Epson Stylus Pro 3800 Tumi Cover, product code C3800TUMI.

Extended Service Plans

Option	Product code
One-Year Premium Upgrade	EPP38B1
Two-Year Premium Upgrade	EPP38B2

Media

You can print on most types of coated, glossy, and plain paper. The following table shows the Epson paper types and sizes you can use in your printer. You can also check the Epson Pro Graphics website (prographics.epson.com) or your authorized Epson dealer for available media.

Always test samples of paper stock in the printer before purchasing large quantities or printing large jobs. When you use non-Epson paper or other media, you may need to adjust various settings or create special paper configurations.

Media	Size	Number of sheets in package	Part number
Epson Presentation Paper Matte Epson Photo Quality Ink Jet Paper	8.3" × 11.7"	100	S041061
	8.5" × 11"	100	S041062
	8.5" × 14"	100	S041067
	11" × 17"	100	S041070
	13" × 19"	100	S041069
	16.5" × 23.4"	30	S041079
	17" × 22"	100	S041171
Epson Premium Photo Paper Glossy Epson Premium Glossy Photo Paper	4" × 6"	40	S041808
		100	S041727
	5" × 7"	20	S041464
	8" × 10"	20	S041465
	8.5" × 11"	50	S041667
	11" × 14"	20	S041466
	11" × 17"	20	S041290
	11.7" × 16.5"	20	S041288
13" × 19"	20	S041289	
17" × 22"	25	S042092	
Epson Premium Photo Paper Luster Epson Premium Luster Photo Paper	8.5" × 11"	50	S041405
		250	S041913
	11.7" × 16.5"	50	S041406
	13" × 19"	50	S041407
		100	S041604
17" × 22"	25	S042084	
Epson Premium Photo Paper Semi-gloss Epson Premium Semigloss Photo Paper	4" × 6"	40	S041982
	8.5" × 11"	20	S041331
	13" × 19"	20	S041327

Media	Size	Number of sheets in package	Part number
Epson Ultra Premium Presentation Paper Matte	8.5" × 11"	50	S041341
		250	S041914
Epson Enhanced Matte Paper	11.7" × 16.5"	50	S041343
	13" × 19"	50	S041339
		100	S041605
	17" × 22"	50	S041908
Epson Proofing Paper Commercial Semimatte	13" × 19"	100	S041744
Epson Singleweight Matte Paper	13" × 19"	100	S041747
	17" × 22"	100	S041907
Epson Watercolor Paper - Radiant White	13" × 19"	20	S041351
Epson Velvet Fine Art Paper	8.5" × 11"	20	S041636
	13" × 19"	20	S041637
	17" × 22"	25	S042097
Epson UltraSmooth® Fine Art Paper	13" × 19"	25	S041896
	17" × 22"	25	S041897

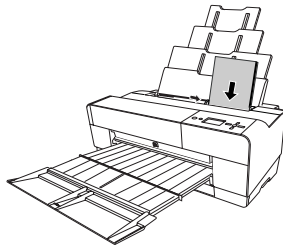
Guidelines for Using Epson Media

- ❑ Avoid touching the printable surface with your bare hands. Fingerprints may affect print quality. Handle media by the edges or use cotton gloves.
- ❑ Always choose the correct Media Type setting in your printer driver software before printing.
- ❑ Keep unused media in its original packaging and store it flat in a cool, dry place to maintain quality. Avoid storing your printouts where they will be exposed to high temperature, humidity, or direct sunlight.

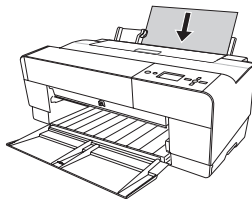
Choosing the Correct Paper Path

The printer provides three paths for loading media:

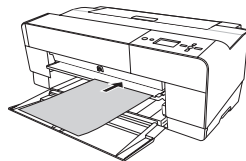
- ❑ Auto sheet feeder
(multiple sheets, up to 17" wide)



- ❑ Rear manual feed slot
(one sheet only, up to 17" wide)



- ❑ Front manual feed slot
(one sheet only, up to 16" wide)



It's very important to use the correct paper path and to load the correct number of sheets. For example, you can load only one sheet at a time in the front and rear slots, and poster board can be inserted only in the front slot. If you need to make sure the paper stays flat, use the rear or front slot.

The following table shows which path to choose for the type of media you are using and the maximum number of sheets you can load for the different types of special Epson media. The letter **A** stands for the auto sheet feeder, **R** stands for the rear manual feed slot, and **F** stands for the front manual feed slot.

Note: Do not leave paper in the printer for a long period of time; its quality will deteriorate. Epson recommends that you remove the paper from the printer after printing.

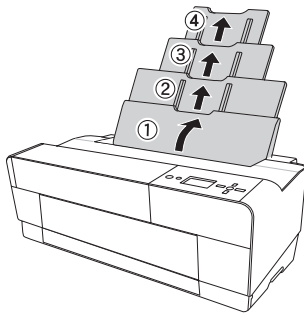
Paper type	Paper path	Size	Auto sheet feeder capacity *
Plain paper	A	8.5" × 11"	120
Epson Presentation Paper Matte Epson Photo Quality Ink Jet Paper	A, R, F	8.3" × 11.7"	60
		8.5" × 11"	60
		8.5" × 14"	50
		11" × 17"	20
		13" × 19"	20
	16.5" × 23.4"	20	
	A, R	17" × 22"	20
Epson Premium Photo Paper Glossy Epson Premium Glossy Photo Paper	A	4" × 6"	20
		5" × 7"	20
		8" × 10"	20
	A, R, F	8.5" × 11"	20
		11" × 14"	10
		11" × 17"	10
		11.7" × 16.5"	10
			13" × 19"
A, R	17" × 22"	10	
Epson Premium Photo Paper Luster Epson Premium Luster Photo Paper	A, R, F	8.5" × 11"	20
		11.7" × 16.5"	10
		13" × 19"	10
	A, R	17" × 22"	10
Epson Premium Photo Paper Semi-gloss Epson Premium Semigloss Photo Paper	A	4" × 6"	20
	A, R, F	8.5" × 11"	20
		13" × 19"	10
Epson Ultra Premium Presentation Paper Matte Epson Enhanced Matte Paper	A, R, F	8.5" × 11"	20
		11.7" × 16.5"	20
			13" × 19"
	A, R	17" × 22"	10
Epson Proofing Paper Commercial Semimatte	A, R, F	13" × 19"	1
Epson Singleweight Matte Paper	A, R, F	13" × 19"	50
	A, R	17" × 22"	10
Epson Watercolor Paper - Radiant White	R	13" × 19"	1
Epson Velvet Fine Art Paper	R	8.5" × 11"	1
		13" × 19"	1
		17" × 22"	1
Epson UltraSmooth Fine Art Paper	R	13" × 19"	1
		17" × 22"	1

* Always load only 1 sheet at a time in the front or rear slot.

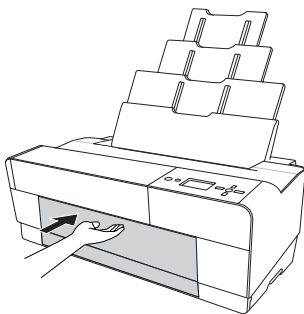
Loading Paper in the Auto Sheet Feeder

Using the auto sheet feeder, you can load up to 120 sheets of plain paper and varying amounts of special media types. Refer to the table on page 4 to see how many sheets you can load for your paper type. Then follow these steps:

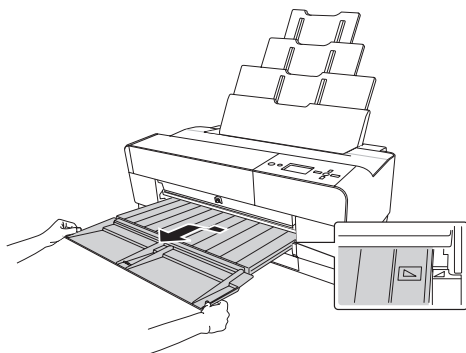
1. Make sure the printer is turned on and **READY** appears on the LCD.
2. Flip up the paper guide and pull out as many of its extensions as you need to support your paper size.



3. Press the front cover to release it and open the output tray.

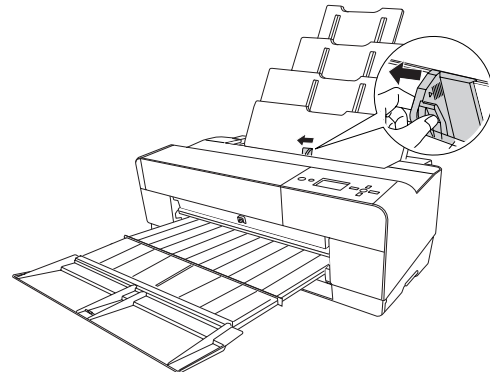


4. Use both hands to pull out and extend the output tray, lifting it slightly as you pull. Make sure the arrow marks on the tray and the printer are aligned.

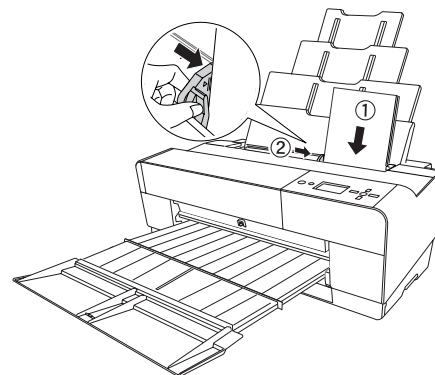


5. Pull out the output tray extensions for your paper size.

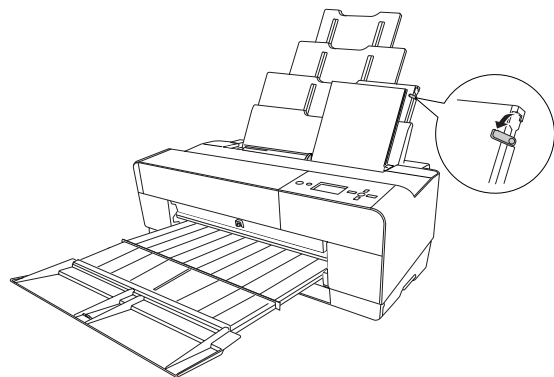
6. Squeeze the left edge guide and slide it to the left so that it is slightly wider than the width of your paper.



7. If you are loading multiple sheets, thumb through the stack of paper, then gently tap it on a flat surface to even the edges. If the paper is curled, flatten it before you load it.
8. Load the paper against the right edge, face-up and short edge first. Insert it until it meets resistance. Slide the edge guide against the left side of the paper.



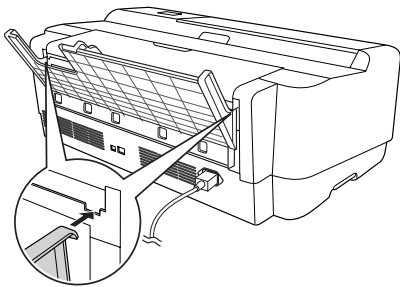
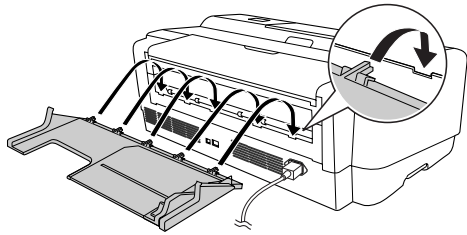
Note: If the paper skews when you're printing on large sheets, flip out the edge guide located on the right side of the auto sheet feeder to help the paper feed straight.



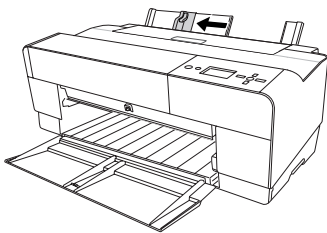
Loading Paper Into the Rear Manual Feed Slot

Use the rear manual slot to load special media one sheet at a time. (See the table on page 4 for a list of papers you can load in the rear slot.)

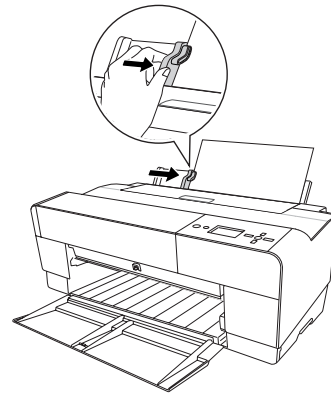
1. Make sure the printer is on and **READY** appears on the LCD.
2. Attach the rear sheet guide to the back of the printer.



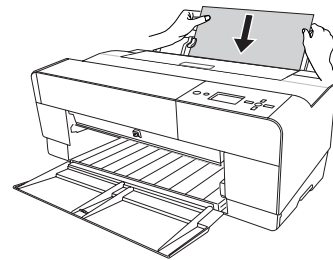
3. Slide the edge guide to the left so it is slightly wider than the width of your paper.



4. Insert one sheet face-up and short edge first against the right edge guide, then slide the edge guide against the left edge of the paper.

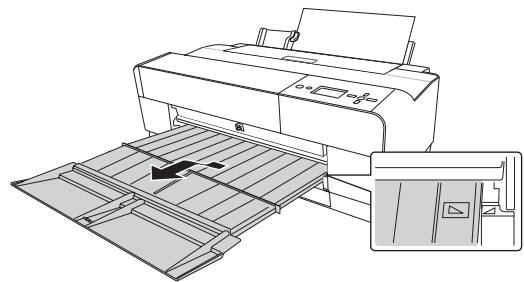


5. Gently guide the paper into the slot until it meets resistance. Maintain a constant pressure; after a few seconds you'll feel the printer pull the paper into printing position.



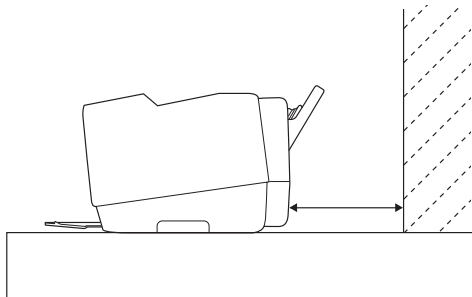
Note: If you want to remove the paper, press the ▼ Paper feed button on the control panel to back out the sheet.

6. Use both hands to pull out and extend the output tray, lifting it slightly as you pull. Make sure the arrow marks on the tray and the printer are aligned.



Loading Paper Into the Front Manual Feed Slot

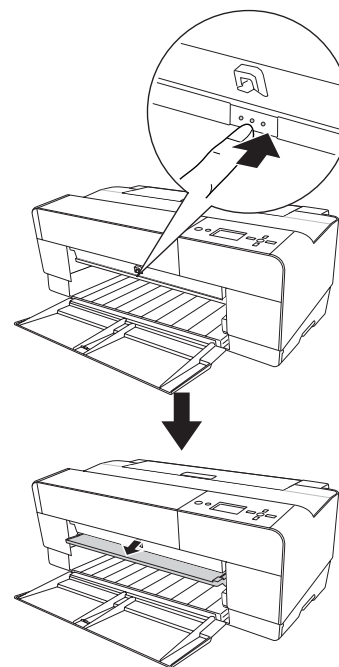
Use the front manual feed slot when you need to print on thick media (1.2 to 1.5 mm), such as posterboard. Make sure there is enough space behind the back of the printer for the paper to feed without obstruction.



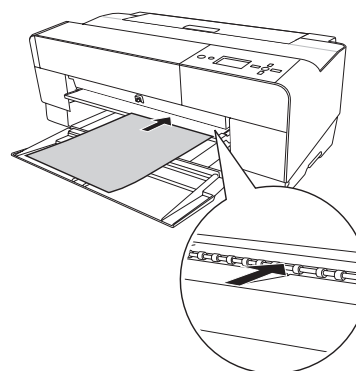
Also keep the following in mind when using the front slot:

- ❑ Load only one sheet at a time and make sure the printable side is face-up.
 - ❑ If the paper is wider than 16 inches, use the auto sheet feeder or rear slot if allowed for your paper type; see page 4 for details.
 - ❑ If PAPER SIZE CHECK is set to OFF on the LCD, you cannot load paper in the front slot. Use the printer's menu system to turn this setting on. (See your on-screen *User's Guide* for more information.)
1. Make sure the printer is on and **READY** appears on the LCD.
 2. Press the front cover to release it and open the output tray.

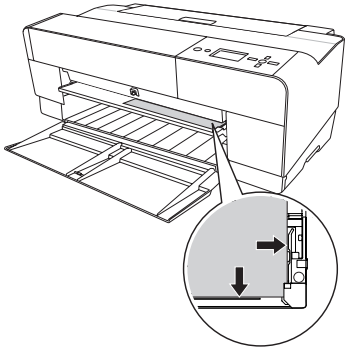
3. Press the front tray as shown to pop it out.



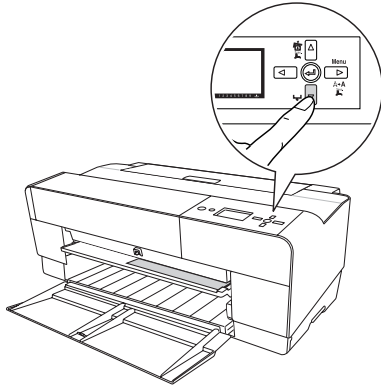
4. Insert a single sheet of paper, short edge first and face-up into the front tray.



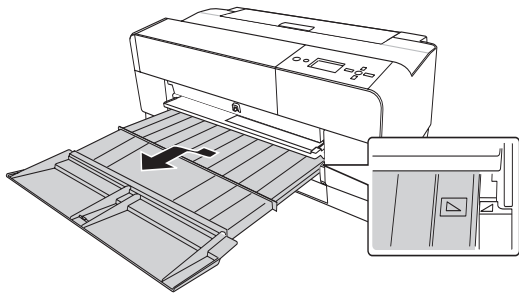
5. Position the right edge of the paper against the right side of the tray and align the paper's bottom edge with the white line on the tray.



6. Press the ▼ Paper feed button to feed the paper into printing position.



7. Use both hands to pull out and extend the output tray, lifting it slightly as you pull.

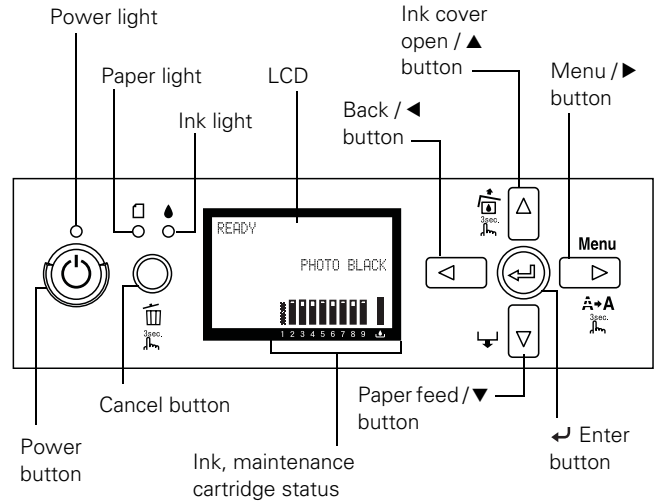


You're ready to print.

When you finish printing, push the front tray back in.

Control Panel

The control panel includes various lights and an LCD panel to indicate the status of the printer.



When your ink is low or expended, paper runs out, or a problem occurs, a message appears on the LCD, and the lights on the control panel come on or flash. The following table lists the messages in alphabetical order and includes instructions for correcting the problem.

Error Messages

Message	Explanation	Response
BORDERLESS ERROR PRESS THE DOWN BUTTON. LOAD THE CORRECT SIZE PAPER	The installed paper is not supported for borderless printing or the PAPER SIZE CHECK setting is off.	Press the ▼ Paper feed button, and then load a different size media. Also, select ON for PAPER SIZE CHECK in the printer's menu system.
CLEANING ERROR PRESS THE CANCEL/RESET BUTTON	The nozzles are still clogged.	Press the  Cancel button, then run the Head Cleaning utility. See "Checking and Cleaning the Print Head" on page 12.
CLEANING ERROR PRESS THE DOWN BUTTON AND REMOVE THICK PAPER	Print head cleaning cannot be started because thick paper is loaded.	Remove the thick paper.
COMMAND ERROR CHECK DRIVER SETTINGS	Damaged data was sent to the printer or the data has an incorrect command. The installed printer driver is not correct for the printer.	Stop printing and press the  Cancel button for 3 seconds. Stop printing and press the  Cancel button for 3 seconds. Then make sure that the installed printer driver is correct for the printer.
FRONT FEED SLOT OPEN CLOSE THE FRONT MANUAL FEED SLOT	The front tray is open during operation.	Close the front tray.
FRONT FEED SLOT OPEN LOAD MEDIA PRESS THE DOWN BUTTON	The front tray is open, but no paper is loaded.	Load a sheet of paper in the front tray, and then press the ▼ Paper feed button.
FRONT FEED SLOT OPEN PRESS THE DOWN BUTTON AND REMOVE PAPER	Paper is loaded in the front tray.	Press the ▼ Paper feed button, then remove the paper from the front tray.
FRONT SLOT CLOSED OPEN THE FRONT MANUAL FEED SLOT	The front tray is closed during operation.	Open the front tray by pressing it gently (see page 7). If necessary, remove the paper.
INK CARTRIDGE ERROR CHECK CARTRIDGE	The wrong type of cartridge is installed.	Remove the ink cartridge and install one that is designed for your printer. See "Replacing Ink Cartridges" on page 14.
INK CARTRIDGE ERROR PLEASE INSTALL THE CORRECT CARTRIDGE	An ink cartridge that cannot be used with this printer is installed.	Remove the ink cartridge and install one that can be used in your printer. See "Replacing Ink Cartridges" on page 14.
INK CARTRIDGE ERROR PRESS THE UP BUTTON REPLACE THE CARTRIDGE	An ink cartridge is installed incorrectly (perhaps in the wrong slot).	Press the ▲ Ink cover open button to open the ink cover. Then remove the ink cartridge and install it correctly. See "Replacing Ink Cartridges" on page 14.
INK CARTRIDGE ERROR REPLACE CARTRIDGE	There is a problem with one of the ink cartridges. It may be installed in the wrong slot.	Remove the ink cartridge and reinstall it correctly. If this message appears after reinstalling the ink cartridge, replace it. See "Replacing Ink Cartridges" on page 14.
INK CARTRIDGE NON-GENUINE CARTRIDGE MAY NOT PERFORM AT OPTIMUM. CONTINUE? <YES NO>	The wrong type of cartridge is installed or is installed in the wrong slot.	Select NO (press the Menu ► button) if you want to replace the ink cartridge with a genuine Epson ink cartridge. See "Replacing Ink Cartridges" on page 14. Otherwise, select YES (press the ◀ button).
INK CARTRIDGE PLEASE USE GENUINE EPSON INK CARTRIDGES	A non-genuine ink cartridge is installed.	Replace the ink cartridge with a genuine Epson ink cartridge. See "Replacing Ink Cartridges" on page 14.
INK CARTRIDGE REPLACE INK CARTRIDGE	The ink cartridge is expended.	Install a new ink cartridge. See "Replacing Ink Cartridges" on page 14.

Epson Stylus Pro 3800

Message	Explanation	Response
INK CARTRIDGE THIS MAY VOID EPSON'S WARRANTY. DO YOU ACCEPT THIS? <ACCEPT DECLINE>	A non-genuine ink cartridge is installed, and if you use it, may void Epson's warranty.	Select DECLINE (press the Menu ▶ button) to replace the ink cartridge with a genuine Epson ink cartridge. Selecting ACCEPT (by pressing the ◀ button) may void Epson's warranty.
INK LOW	The ink cartridge is almost expended.	You need to replace the ink cartridge soon. Although you can continue printing when the INK LOW message appears, print quality may decline.
MAINTENANCE CARTRIDGE FULL REPLACE THE CARTRIDGE	The maintenance cartridge is full and needs to be replaced with a new one.	Replace the maintenance cartridge with a new one. See "Replacing the Maintenance Cartridge" on page 15.
MAINTENANCE CARTRIDGE NEARLY FULL REPLACE THE CARTRIDGE	The maintenance cartridge is almost full.	You need to replace the maintenance cartridge soon with a new one. See "Replacing the Maintenance Cartridge" on page 15.
MAINTENANCE REQUEST NNNN	A part used in the printer has nearly reached the end of its life. "NNNN" shows the product code for the part.	Note the code and contact Epson.
MAINTENANCE PLEASE USE GENUINE EPSON CARTRIDGES	A non-genuine maintenance cartridge is installed.	Replace the maintenance cartridge with a genuine Epson maintenance cartridge. See "Replacing the Maintenance Cartridge" on page 15.
NO INK CARTRIDGE INSTALL INK CARTRIDGE	An ink cartridge is not installed.	Install any missing ink cartridges.
PAPER EJECT ERROR PRESS THE DOWN BUTTON AND REMOVE PAPER	The printer could not eject the printout.	Press the ▼ Paper feed button, then remove the printout.
PAPER ERROR LOAD PAPER	No paper is loaded in the printer.	Load paper correctly.
PAPER ERROR PRESS THE DOWN BUTTON. LOAD PAPER CORRECTLY	The printer cannot detect the loaded media because it is wavy or curled. The printer cannot detect the loaded media because the color of the paper is either transparent or black, like the platen color.	Flatten the media. Select OFF for PAPER SIZE CHECK using the printer's menu system, or load the correct type of genuine Epson paper.
PAPER FEED ERROR LOAD PAPER CORRECTLY PRESS THE DOWN BUTTON	You have selected double-sided printing, but the printer cannot feed the paper correctly.	Load the paper that has just been ejected, and then press the ▼ Paper feed button.
PAPER JAM REMOVE PAPER	Paper is jammed.	Remove the jammed paper. See the <i>Printer Guide</i> or on-screen <i>User's Guide</i> for details.
PAPER REMOVE REMOVE PAPER FROM THE REAR	You need to remove the paper from the rear slot.	Remove the paper from the rear slot.
PAPER SENSOR ERROR PRESS THE  BUTTON. LOAD THE CORRECT PAPER	The loaded paper is not the same as the paper type selected for the Automatic Head Alignment.	Press the  Cancel button, and then load the paper that matches the type selected for the Automatic Head Alignment. See "Aligning the Print Head" on page 13.
PAPER SENSOR ERROR PRESS THE  BUTTON LOAD DIFFERENT PAPER	The loaded paper does not match the paper type selected.	Press the  Cancel button, and then load the paper that matches the type of paper you selected. See "Aligning the Print Head" on page 13 for details.

Message	Explanation	Response
PAPER SETTING ERROR CHECK PAPER SOURCE IN THE DRIVER SETTINGS AND LOAD PAPER CORRECTLY	You are using the wrong paper path for your media.	Check the Paper Source setting in the printer driver, and load the paper in the correct slot.
PAPER SIZE ERROR LOAD THE CORRECT SIZE PAPER	The size of paper you loaded is not correct for the document/image you are printing.	Remove the paper and load media that is the correct size for what you are printing.
PAPER SKEW PRESS THE DOWN BUTTON. LOAD PAPER CORRECTLY	The paper is not loaded straight.	Press the ▼ Paper feed button, and then load the paper straight. If you are using the auto sheet feeder, you can use the top edge guide to help feed the paper straight. See page 5 for details.

Checking Printer Status and Part Life

Using the printer's menu system, you can check the status of your ink cartridges, the total number of prints made, and the status of your maintenance cartridge and other printer parts. You can either print out a status check or you can view the printer's status on the LCD panel.

Note: To test the print quality, see page 12 for instructions on printing a nozzle check.

Printing Status Information

The status check sheet shows some of the current default settings, the status of the ink in each cartridge, the page count, and the status of various printer parts.

Follow these steps to print the status check sheet:

1. Make sure paper is loaded in the printer.
2. Press the **Menu** ► button and then ▼ to highlight **TEST PRINT**.
3. Press ► then ▼ to select **STATUS SHEET**.
4. Press ► to select **PRINT**.
5. Press the ↵ Enter button to start printing.

The service life for each ink cartridge and the maintenance cartridge is indicated as follows:


```
E[*****]F
E[***** ]F
E[***  ]F
E[**   ]F
E[*    ]F
```

Viewing Status Information

To view printer status information instead of printing it, follow these steps:

1. Press the **Menu** ► button and then ▼ until **PRINTER STATUS** is highlighted.
 2. Press ► to select **VERSION**.
 3. Do one of the following:
 - To check the firmware version, press ► again. When done, press ◀.
 - To check the number of pages that can be printed with each ink cartridge, press ▼ to select **PRINTABLE PAGES**, then press ►. Press ▼ or ▲ to scroll through the ink cartridges and see approximately how many pages can be printed with each ink cartridge. When done, press ◀.
 - To check the ink status, press ▼ to select **INK LEVEL**, then press ►. You see **MATTE BLACK** and the ink status for that cartridge. Press ▼ or ▲ to scroll through the ink cartridges and see their status. When done, press ◀.
 - To check how much of the maintenance cartridge has been used, press ▼ to select **MAINTENANCE CART**, then press ►. You see how much capacity remains in the cartridge. When done, press ◀.
 - To check the total amount of ink used (in milliliters), press ▼ to select **USAGE COUNT**, then press ►. When done, press ◀.
- You can clear this setting with the **CLEAR USAGE COUNT** option.

- ❑ To check job history, press ▼ to select **JOB HISTORY**, then press ►. For the last 10 print jobs saved in the printer, you see the total ink used (in milliliters) and the paper size used most recently. The most recent job is saved as No. 0. When done, press ◀.
- ❑ To check the total number of prints, press ▼ to select **TOTAL PRINTS**, then press ►. You see the total number of pages that have been printed. When done, press ◀.

4. Press the  Cancel button to exit the menu.

For more information about the Printer Status menu, see your on-screen *User's Guide*.

Checking and Cleaning the Print Head

If your printed image shows a color shift or horizontal or vertical lines, you should check the print head to see if any nozzles are clogged.

You can automatically check and clean the print head using the Auto Cleaning feature in your printer utility software, as described below. This enables the printer to print a nozzle check pattern, read it, and run a cleaning cycle if necessary.

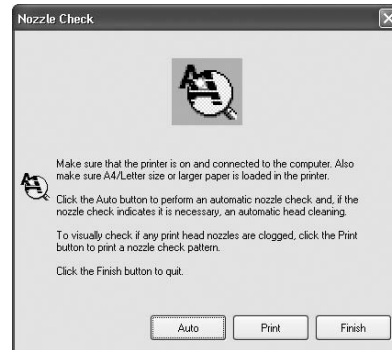
Note: You can also run a cleaning cycle by holding down the Menu button for three seconds, and you can use the printer's menu to run a power cleaning cycle. See page 13 for details.

1. Make sure several sheets of letter-size (or larger) paper are loaded in the auto sheet feeder.
2. Do one of the following to access the printer utilities:
 - ❑ **Macintosh:** Open the Applications folder and double-click Epson Printer Utility2. Select Stylus Pro 3800 and click OK.
 - ❑ **Windows XP:** Click Start and select Control Panel. Double-click Printers and Faxes. Right-click your printer icon and select Printing Preferences. Click the Utility tab.
 - ❑ **Windows 2000:** Click Start, point to Settings, then select Printers. Right-click your printer icon and select Printing Preferences. Click the Utility tab.

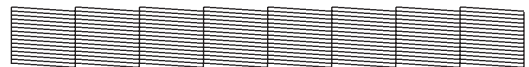
You see a screen like the following:



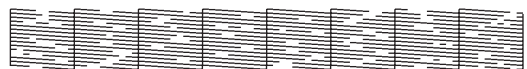
3. Click the **Nozzle Check** icon.
4. Click **Print** to print the nozzle check pattern so you can see if the print head needs to be cleaned. Or click **Auto** if you want to run the nozzle check and have the printer automatically clean the print head if necessary.



5. Examine the nozzle check pattern to make sure it has no gaps or lines.
 - ❑ If the printout looks okay as shown below, you're done. Click **Finish**.



- ❑ If you see any gaps as shown below, click **Clean** to clean the print head and follow the on-screen instructions.

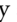
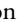








6. If the nozzles do not clear after a few cleaning cycles, run a **Power Cleaning Cycle**, as described in the next section.

Running a Power Cleaning Cycle

You can run a power cleaning cycle from the control panel if the normal cleaning process is not sufficient to clear the nozzles. However, the power cycle uses a large quantity of ink, so it is recommended only as a last resort.

The cartridges need to be at least 50% full to use power cleaning. You may need to replace a low cartridge to run the cleaning cycle. After cleaning, you can reinsert the old cartridge.

1. Print a nozzle check to make sure the print head needs cleaning, as described on page 12.
2. Make sure the printer is ready and the red  ink light is not on or flashing.
3. Press the **Menu**  button.

Caution: Don't run a power cleaning cycle while thick media is loaded in the printer.
4. Press  until **MAINTENANCE** is highlighted, then press .
5. Press  to select **POWER CLEANING**, then press .
6. Press the  Enter button to start the power cleaning.
7. When cleaning is finished and the  Power light stops flashing, print the nozzle check again to confirm that the head is clean.

For effective cleaning, always run a nozzle check between cycles.

If the pattern is still missing segments after a few power cleaning cycles, turn off the printer and let it sit overnight. Then clean the print head again the following morning with regular cleaning cycles. If you still see no improvement, contact Epson for assistance.









Aligning the Print Head

Aligning the print head is the most important thing you can do to ensure the best print quality. If banding appears on your prints, if they look grainy or blurry, or you see misregistration or “ghosting,” you need to align the print head.

Although you can align the print head using the printer utility software, it's best to align from the printer's control panel. This will do the most thorough job in the shortest time, and it's all automatic.

If you haven't already done so, it's a good idea to run a nozzle check before aligning the print head (see page 12). This ensures that the print head alignment patterns print correctly.

Follow these steps to align the print head using the control panel:

1. Make sure the printer is turned on. Then load one of the following types of paper:
 - Epson Premium Glossy Photo Paper
 - Epson Premium Photo Paper Glossy
 - Epson Premium Luster Photo Paper
 - Epson Ultra Premium Photo Paper Luster
 - Enhanced Matte Paper
 - Epson Ultra Presentation Paper Matte
 - Epson Photo Quality Ink Jet Paper
 - Epson Presentation Paper Matte
2. Press the **Menu**  button.
3. Press  until **HEAD ALIGNMENT** is highlighted. Then press .
4. Make sure **Auto** is highlighted and then press .
5. Press  or  to select the type of paper you loaded: **PREM. GLOSSY/LUSTER**, **P Q INK JET PAPER** (Epson Presentation Paper Matte), or **ENHANCED MATTE PAPER** (Ultra Premium Presentation Paper Matte). Then press .
6. Press  Enter to start printing. After printing is complete, the printer starts aligning the print head.

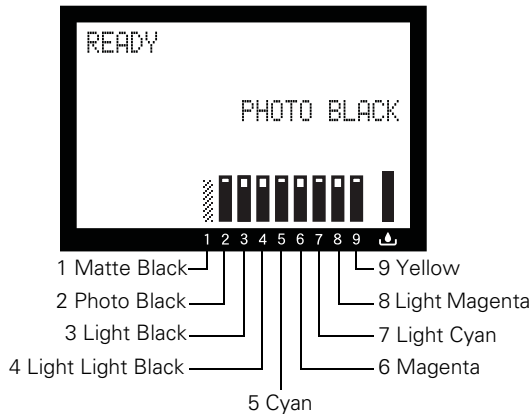
It takes several minutes to run the head alignment. The printer's white beam sensor reads the alignment pattern and adjusts the printer automatically. Make sure you don't open the top cover or turn off the printer during this process.

If you want to verify or fine-tune the alignment process, you can perform a manual head alignment. See your on-screen *User's Guide* for instructions.

Replacing Ink Cartridges

Before you begin a large print job, you should check your ink levels. If one of your cartridges is low, you can replace it before you start. Or you can wait until the ink cartridge needs to be replaced, and then continue the job without any loss of print quality. However, it is best to replace a low ink cartridge before starting a large print job.

The easiest way to check ink levels is from the control panel:



When the red ink light is flashing and **INK LOW** appears on the LCD panel, the indicated cartridge is low on ink. Make sure you have a replacement cartridge.

When the light stays on and you see the LCD message **REPLACE INK CARTRIDGE**, the cartridge is expended. You must replace the cartridge before you can continue printing.

Use the following UltraChromeK3™ Epson ink cartridges:

Cartridge	Product code
Photo Black	T580100
Cyan	T580200
Magenta	T580300
Yellow	T580400
Light Cyan	T580500
Light Magenta	T580600
Light Black	T580700
Matte Black	T580800
Light Light Black	T580900

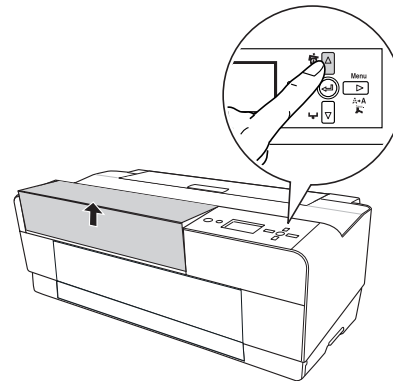
You can purchase genuine Epson ink and paper from an authorized Epson reseller. To find the nearest reseller, call 800-GO-EPSON (800-463-7766). Or you can purchase online at www.epsonstore.com (U.S. sales) or www.epson.ca (Canadian sales).

Before you start, make sure the printer is turned on. Then follow these steps to replace an ink cartridge:

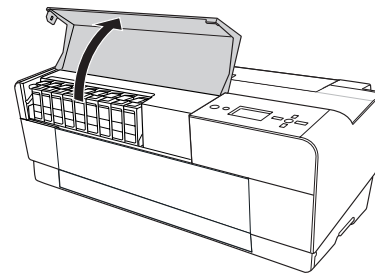
1. Note the color of the cartridge whose icon and abbreviation is on or flashing. This is the cartridge you need to replace.

Caution: Leave the low or expended cartridge in the printer until you are ready to replace it. To prevent ink reporting errors, never replace the ink cartridges with the printer turned off.

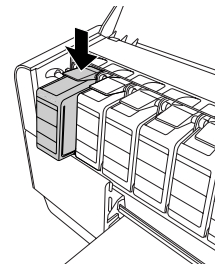
2. If the red ink light is on and **REPLACE INK CARTRIDGE** appears on the printer's LCD, press the **▲ Ink cover open** button to unlock the ink cover. If the light is flashing and the LCD message is **INK LOW**, you need to hold down the button for 3 seconds to unlock the ink cover.



3. Lift the ink cover.

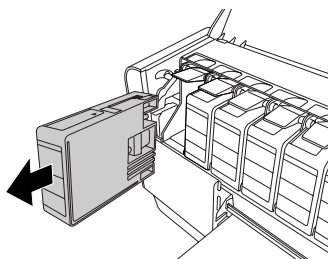


4. Press the ink eject button above the cartridge you need to replace. The ink cartridge slides out slightly.

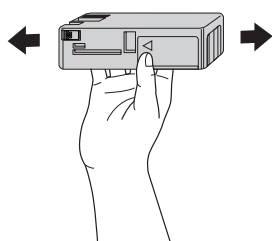


- Carefully pull the cartridge straight out of the slot and dispose of it properly.

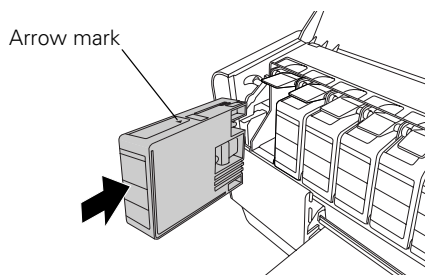
Warning: Do not shake the expended cartridge, or ink may leak out. If ink gets on your hands, wash them thoroughly with soap and water. If ink gets in your eyes, flush them immediately with water.




- Make sure the replacement ink cartridge is the correct color, and then remove it from its package.
- Shake the ink cartridge well before installing it.



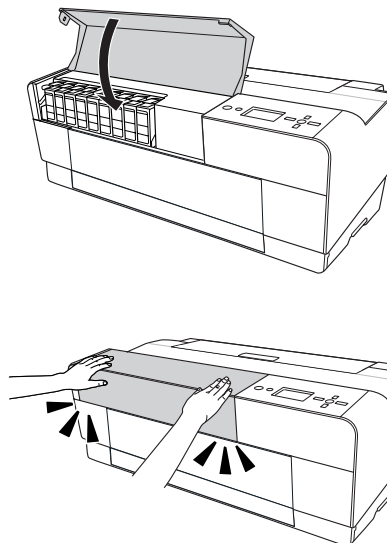
- Hold the ink cartridge with the arrow mark facing up and pointing to the back of the printer, and then insert it into the slot until it clicks.



The printer has a protection system to prevent improper cartridge insertion. If you cannot insert the ink cartridge easily or if you see the message **INK CARTRIDGE ERROR** on the LCD panel, the type of cartridge may be incorrect. Check the package and product code.

If the  ink light remains on, the ink cartridge may not be installed correctly. Remove the ink cartridge and then reinsert it as described above.

- Close the ink cover and press it until it clicks.

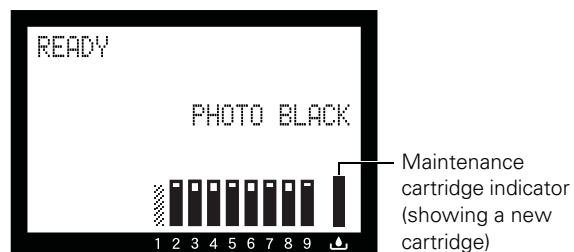


When you see **READY** on the LCD, the printer is ready to print.

Replacing the Maintenance Cartridge

The maintenance cartridge stores ink that gets flushed from the system during print head cleaning. When the cartridge is almost full, the message **MAINTENANCE CARTRIDGE IS NEARLY FULL** appears on the LCD panel. When the cartridge is completely full, the printer stops working and **REPLACE THE CARTRIDGE** appears on the LCD.

You can check how much space remains in the maintenance cartridge by viewing its indicator on the control panel, as shown below. You can also check its status using the printer's menus (see page 11) or by printing a nozzle check sheet (see page 12).



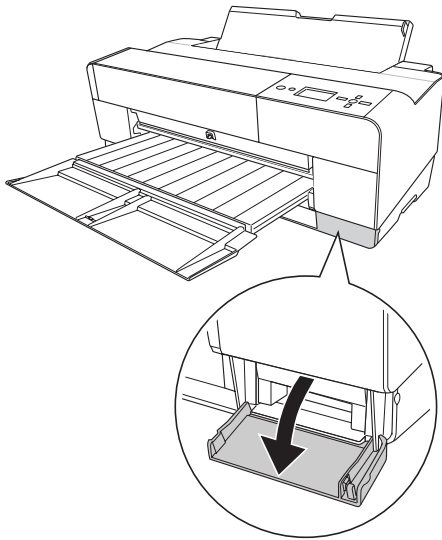
Replacement cartridges are available from Epson (product code T582000).

Epson Stylus Pro 3800

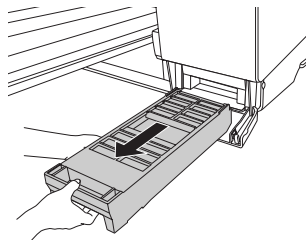
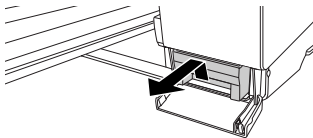
You can purchase replacement items for your printer from an authorized Epson reseller. To find the nearest reseller, call 800-GO-EPSON (800-463-7766). Or you can purchase online at www.epsonstore.com (U.S. sales) or www.epson.ca (Canadian sales).

Follow these steps to replace the maintenance cartridge:

1. Make sure the printer is not printing or performing any other operations. (READY or PAPER OUT should appear on the control panel.)
2. Open the maintenance cartridge cover.

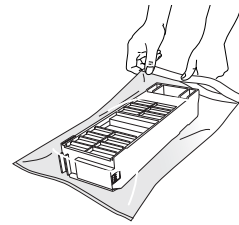


3. Grasp the handle of the maintenance cartridge, then push it up while gently pulling it toward you to remove it.



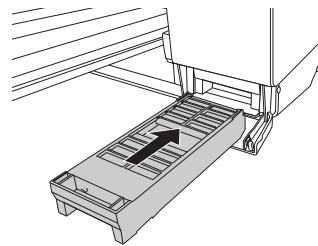
4. Remove the replacement cartridge from its package. Then put the used maintenance cartridge in the plastic bag provided and dispose of it properly.

Caution: Be careful not to tilt the used cartridge or spill ink from it when removing it. Hold it upright at all times and dispose of it carefully.

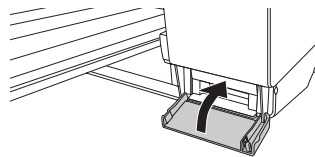


5. Insert the new maintenance cartridge into the printer as far as it will go.

Caution: Do not touch the green chip on the side of the maintenance cartridge. This may prevent normal operation.



6. Close the maintenance cartridge cover.



Cleaning the Printer

Warning: Be careful not to touch the gears inside the printer.

Caution: To avoid damaging the components as well as the case, never use alcohol or thinners to clean the printer.

Be careful not to get water on the printer mechanism or screen components.

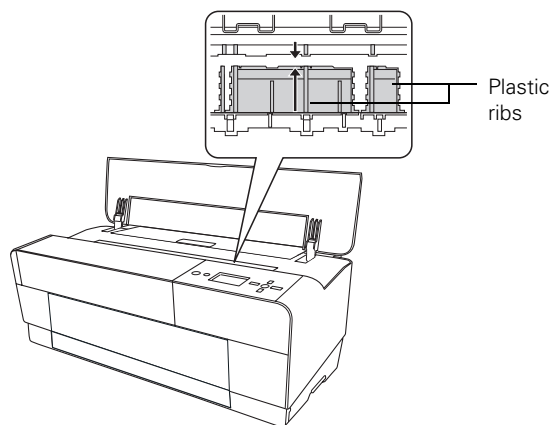
Don't use a hard or abrasive brush.

Do not touch the ink absorption pads; otherwise, printouts may be soiled.

Don't spray the inside of the printer with lubricants; unsuitable oils can damage the mechanism. Contact Epson if you think the printer needs lubrication.

To keep your printer working at its best, you should clean it several times a year.

1. Make sure the printer is turned off, then unplug the power cord and disconnect the printer from your computer. Let the printer sit for a minute.
2. If the outer case is dirty, clean it with a soft, clean cloth dampened with mild detergent. Keep the ink cartridge compartment closed to prevent water from getting inside.
3. If the front manual tray is extended, close it by pushing it in.
4. Open the top cover and then use a soft, lint-free cloth to carefully remove any dust or dirt inside the printer. If the back of a printout is soiled, carefully clean the plastic ribs using a soft, lint-free cloth wiping in the direction of the arrows. Also clean any area with excess ink or debris.



If the problem still occurs, clean the area using a soft, lint-free, dampened cloth. Then wipe the inside of the printer dry with a dry, lint-free, soft cloth.

Transporting or Storing the Printer

If you are moving the printer a short distance (for example, in the same building), close any open extensions and covers and remove the rear sheet guide if installed.

Warning: The printer weighs about 43 lb (20 kg), and should be lifted by two people.

To ship the printer, you must repack it using the original box and packing materials. If you do not have these items, contact Epson to request them. Otherwise, the printer may be damaged beyond repair.

Preparing the Printer for Shipment

1. Turn on the printer, make sure the print head is in the home (far right) position, then turn off the printer.
2. Unplug the power cord and interface cable.

Caution: Do not remove the ink cartridges and do not turn off the printer by unplugging it or turning off a power strip. You will not be able to lock the print head, and ink may leak out of the reservoir, damaging the printer.
3. Install the blue carriage retainer bracket to secure the print head and ink tubes in place. If you don't have the bracket, secure them with tape.
4. Remove any paper or media in the printer, then close the paper tray extensions and covers, and remove the rear sheet guide if installed.
5. Tape all of the doors, covers, and trays securely in place. These include the front cover, ink cover, front manual feed tray, and maintenance cartridge cover.
6. Insert the protective materials included with the printer and repack it using the original box and packing materials.

Updating Your Printer Firmware

You can check for a newer version of firmware on the Epson support site and update your printer, if necessary. Follow the steps below to download the latest firmware and update your printer.

Note: Although the examples in these instructions show Macintosh screens, the procedure is the same in Windows.

1. Navigate to epson.com/support in your browser.
2. Choose your printer.
3. Click **Drivers and Downloads** to find the newest firmware.
4. Choose the version for Macintosh or Windows and follow the instructions on the screen to download it.
5. Double-click the downloaded firmware file to extract it.
6. Double-click the **EPSON LFP Remote Panel** icon on your desktop. You see a window like this one:



7. Click the **Firmware Updater** icon. You see a window like this one:



8. Make sure your printer is on, its LCD displays **READY**, and it is connected to your computer. Then choose **Stylus Pro 3800** in the Printer list and click **Browse**.



9. Find the firmware that you just downloaded and extracted. Select the file and click **Choose**.
10. If the firmware version of the file is newer, click **Update** to start the firmware update process. (If it is the same, you don't need to update it.)

Caution: Don't turn off the printer while the firmware is updating.

11. When the update is complete, close the **Firmware Updater** window and the **LFP Remote Panel** window.

Note: You can follow this same procedure to update the built-in network adapter firmware.

Related Documentation

- | | |
|-----------|--|
| CPD-22652 | Epson Stylus Pro 3800 <i>Printer Guide</i> |
| CPD-22653 | Epson Stylus Pro 3800 <i>Start Here</i> sheet |
| CPD-22654 | Epson Stylus Pro 3800 CD-ROM with electronic <i>User's Guide</i> |
| CPD-22655 | Epson Stylus Pro 3800 Registration Card |
| CPD-22927 | Epson Stylus Pro 3800 Preferred Limited Warranty |
| CPD-22928 | Epson Stylus Pro 3800 Preferred Plus One-Year Premium Upgrade (optional extended warranty) |
| CPD-22929 | Epson Stylus Pro 3800 Preferred Plus Two-Year Premium Upgrade (optional extended warranty) |