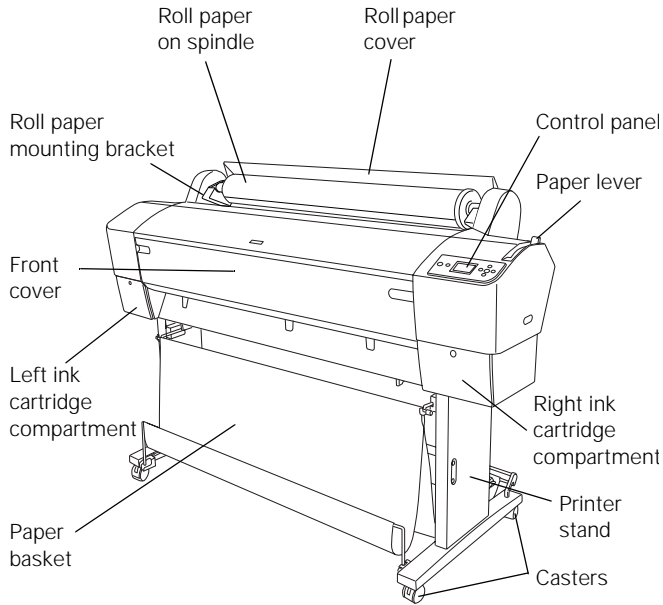


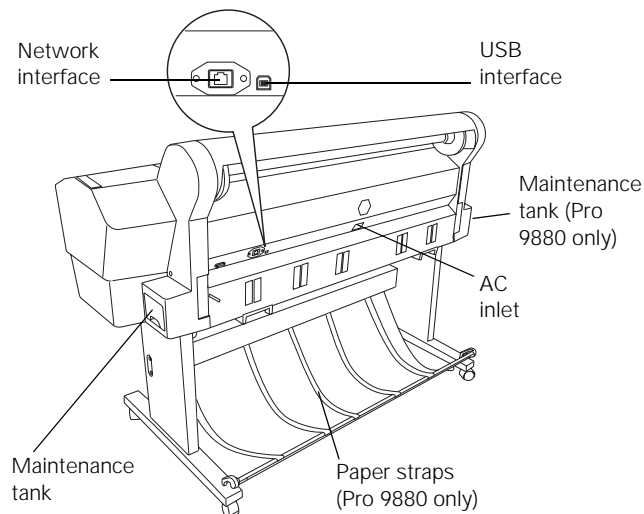
## Printer Parts

These illustrations show the Epson Stylus Pro 9880 but the parts are the same for the Pro 7880 unless otherwise noted.

### Front



### Back



## Printer Specifications

### Electrical

Input voltage range	90 to 264 V
Rated frequency range	50 to 60 Hz
Input frequency range	49 to 61 Hz
Rated current	1.0 A at 120 V 0.5 A at 220 V
Power consumption (approx.)	Epson Stylus Pro 7880: Approx. 50 W 6 W or less in sleep mode 1 W or less in power off mode  Epson Stylus Pro 9880: Approx. 58 W 6 W or less in standby mode 1 W or less in power off mode

Check the label on the back of your printer for voltage information.

### Dimensions and Weight

Dimensions	Epson Stylus Pro 7880: Width: 47.12 inches (1178 mm) Depth: 20.04 inches (501 mm) Height: 22.4 inches (560 mm) (without stand)
	Epson Stylus Pro 9880: Width: 68.08 inches (1702 mm) Depth: 27.12 inches (678 mm) Height: 47.84 inches (1196 mm)
	Stand: 23.1 lb (10.5 kg)
Weight (without consumables)	Epson Stylus Pro 7880: 108 lb (49 kg)
	Epson Stylus Pro 9880: 198 lb (90 kg)

Environmental

**Temperature**      Operation: 50 to 95 °F (10 to 35 °C)  
                           Print  
                           quality  
                           guarantee: 59 to 77 °F (15 to 25 °C)  
                           Storage:     -4 to 104 °F (-20 to 40 °C)  
   1 month at 104 °F (40 °C)

**Humidity**  
 (without  
 condensation)      Operation: 20 to 80% RH  
                           Print  
                           quality  
                           guarantee: 40 to 60% RH  
                           Storage:     20 to 85% RH  
   (stored in container)

Media

**Roll paper**  
**Maximum roll width**      Epson Stylus Pro 7880:  
   24 inches (610 mm)  
   Epson Stylus Pro 9880:  
   44 inches (1118 mm)

**Maximum roll length**      Up to 150 feet for 2-inch cored  
   media  
   Up to 673 feet for 3-inch cored  
   media

**Weight range**                17 to 24 lb (64 to 90 g/sm)

**Paper thickness**            0.003 to 0.004 inches  
   (0.08 to 0.11 mm)

**Roll paper compatibility**    Handles both 2- and 3-inch cored  
   media

**Maximum roll paper  
 diameter**                    2-inch core: 4 inches (101.6 mm)  
   3-inch core: 6 inches (152.4 mm)

**Cut Sheets**  
**Weight range**                17 lb (64 g/m<sup>2</sup>) bond up to  
   posterboard

Epson Cut Sheet Paper Sizes		
Size group	Size name	Measurements
A Series	A4	8.3 × 11.7 inches (210 × 297 mm)
	A3	11.7 × 16.5 inches (297 × 420 mm)
	Super A3/B	13 × 19 inches (329 × 483 mm)
	A2	16.5 × 23.4 inches (420 × 594 mm)
	A1	23.4 × 33.1 inches (594 × 841 mm)
	Super A1	24 × 36 inches (610 × 910 mm)
	A0*	33.1 × 44 inches (841 × 1189 mm)
	Super A0*	36 × 50.9 inches (914 × 1292 mm)
US-ANSI	Letter	8.5 × 11 inches (216 × 279 mm)
	US B	11 × 17 inches (279 × 430 mm)
	US C	17 × 22 inches (430 × 559 mm)
	US D	22 × 34 inches (559 × 864 mm)
	US E*	34 × 44 inches (864 × 1120 mm)
US-ARCH	ARCH A	9 × 12 inches (229 × 305 mm)
	ARCH B	12 × 18 inches (305 × 457 mm)
	ARCH C	18 × 24 inches (457 × 610 mm)
	ARCH D	24 × 36 inches (610 × 910 mm)
	ARCH E*	36 × 48 inches (910 × 1219 mm)
B Series	B5	7.2 × 10.1 inches (182 × 257 mm)
	B4	10.1 × 14.2 inches (257 × 364 mm)
	B3	14.2 × 20.3 inches (364 × 515 mm)
	B2	20.3 × 28.7 inches ( 515 × 728 mm)
	B1*	28.7 × 40.5 inches (728 × 1030 mm)

Epson Cut Sheet Paper Sizes		
Size group	Size name	Measurements
	B1 Landscape*	40.5 × 28.7 inches (1030 × 728 mm)
	B0	40.5 × 57.3 inches (1030 × 1456 mm)
	Super B0*	44 × 62.2 inches (1118 × 1580 mm)
Photo Series	—	8 × 10 inches (203 × 254 mm)
	—	10 × 12 inches (254 × 305 mm)
	—	11 × 14 inches (279 × 356 mm)
	—	12 × 12 inches (305 × 305 mm)
	—	16 × 20 inches (406 × 508 mm)
Others	—	24 × 30 inches (610 × 762 mm)
	—	30 × 40 inches* (762 × 1016 mm)
	—	36 × 44 inches* (914 × 1118 mm)
	—	11.8 × 15.7 inches (30 × 40 cm)
	—	15.7 × 23.6 inches (40 × 60 cm)
	—	23.6 × 35.4 inches (60 × 90 cm)

\*Epson Stylus Pro 9880 only

**Note:**

Since the quality of any particular brand or type of paper may be changed by the manufacturer at any time, Epson cannot attest to the quality of any non-Epson brand or type of paper. Always test samples of paper stock before purchasing large quantities or printing large jobs.

### Printable Area

Default roll paper margins are 0.59 inch (15 mm) top and bottom, and 0.12 inch (3 mm) right and left. Using the menu system, you can set all the margins to 15 mm or 3 mm, or set the top margin to 35 mm.

The borderless printing feature allows edge-to-edge printing on some media.

### Safety Approvals

Safety standards UL 60950  
CSA 22.2 No. 60950

EMC FCC part 15 subpart B, class B  
CAN/CSA-CEI/IEC CISPR 22 class B

### Printer Interfaces

USB (1.1 and 2.0 compatible)

Ethernet 10/100 BaseT

### Ink Cartridges

Cartridge life 2 years from production date if unopened;  
within 6 months after opening package.

Temperature -4 to 104 °F (-20 to 40 °C); 1 month at  
(storage) 104 °F (40 °C); installed or uninstalled

Capacity 110 or 220 ml

Weight 110 ml: approx. 8.82 oz (250 g)  
220 ml: approx. 13.05 oz (370 g)

**Note:**

We recommend that you use genuine Epson cartridges and do not refill them. The use of other products may affect your print quality and could result in printer damage.

Yields vary considerably based on images printed, print settings, paper type, frequency of use, and temperature. For print quality, a small amount of ink remains in the cartridge after the "replace cartridge" indicator comes on. The printer ships with full cartridges and part of the ink from this first set of cartridges is used for priming the printer.

For best printing results, use up a cartridge within six months of opening the package.

## Consumables and Accessories

### Ink Cartridges

Use the following UltraChrome K3™ Epson ink cartridges:

Slot no.	Cartridge	110 ml	220 ml
1	Light Light Black	T602900	T603900
2	Vivid Light Magenta	T602600	T603600
3	Light Cyan	T602500	T603500
4	Light Black	T602700	T603700
5	Photo Black	T602100	T603100
	Matte Black	T611800	T612800
6	Cyan	T602200	T603200
7	Vivid Magenta	T602300	T603300
8	Yellow	T602400	T603400

### User-Replaceable Parts

You can order these user-replaceable parts:

Part	Part number
Replacement Ink Maintenance Tank	C12C890191
Replacement Printer Cutter Blade	C12C815291

### Options

Your Epson Stylus Pro 7880/9880 offers these options:

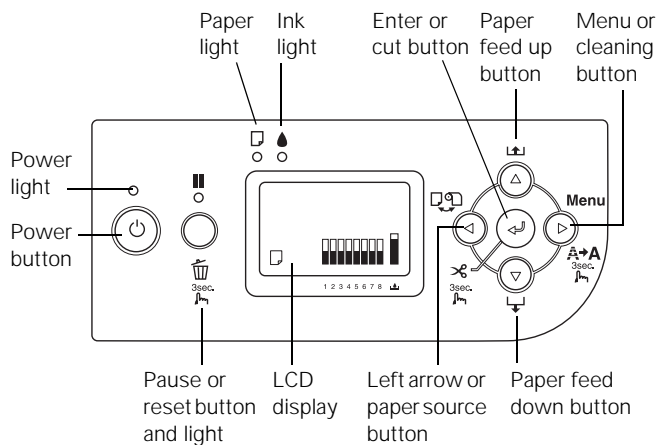
Option	Part number
Automatic Take-Up Reel System (Pro 9880 only)	C12C815251
Replacement 44-inch Take-Up Reel Core (Pro 9880 only)	C815121
Paper Roller Spindle (Normal Tension) — 2- or 3-inch	
Epson Stylus Pro 7880	C12C811161
Epson Stylus Pro 9880	C12C811151
Paper Roller Spindle (High Tension) — 2- or 3-inch	
Epson Stylus Pro 7880	C12C811155
Epson Stylus Pro 9880	C12C811152
Manual Media Cutting System	
Epson Stylus Pro 7880	C12C815231
Epson Stylus Pro 9880	C815182
Replacement Manual Cutting Blade (for Manual Media Cutting System)	C815192
One-year extended warranty*	EPP7898B1
Two-year extended warranty*	EPP7898B2

\*Must be purchased within 12 months of printer purchase.

You can purchase optional equipment and genuine Epson ink and paper from an Epson Professional Imaging Authorized Reseller. To find the nearest reseller, visit [www.proimaging.epson.com](http://www.proimaging.epson.com) (U.S. sales), [www.epson.ca](http://www.epson.ca) (Canadian sales), or call 800-GO-EPSON (800-463-7766). Or you can purchase online at [www.proimaging.epson.com](http://www.proimaging.epson.com) (U.S. sales) or [www.epson.ca](http://www.epson.ca) (Canadian sales).

## Control Panel

### Control Panel Button and Lights



### Menu Setting Summary

Press the Menu button to enter menu mode. See the *User's Guide* for details on these settings.

Menu setting	Description
<b>PRINTER SETUP menu</b>	
ROLL PAPER COUNTER	Alerts you when roll paper is running low. Set the paper length and at what remaining length you want to be alerted. (To use, first select ROLL as the REMAINING PPR SETUP setting in Maintenance mode)
PLATEN GAP	Adjusts the distance from the print head to the paper <b>STANDARD</b> for most printing <b>WIDE</b> or <b>WIDER</b> if images are smeared <b>NARROW</b> for thin paper <b>WIDEST</b> for thick paper
PAGE LINE	Selects whether to print a cut off line between pages on roll paper

Menu setting	Description
INTERFACE	Selects an interface for receiving print jobs. <b>AUTO</b> to automatically select the interface when it receives a print job <b>USB</b> to receive only print jobs sent to the USB interface <b>NETWORK</b> to receive only print jobs sent to the network interface
CODE PAGE	Selects the code page for your data PC437 for extended graphics data codes PC850 for multilingual data codes
ROLL PAPER MARGIN	Selects the margins for roll papers. <b>DEFAULT</b> (15 mm all around) <b>TOP/BOTTOM 15 mm</b> (3 mm left/right) <b>TOP 35/BOTTOM 15 mm</b> (3 mm left/right) <b>3 mm</b> (all around) <b>15 mm</b> (all around)
PAPER SIZE CHECK	Selects whether the printer checks to see if the width of the loaded paper matches the width selected in your print job ( <b>ON</b> is recommended).
PAPER SKEW CHECK	Selects whether the printer alerts you if paper is not feeding straight by displaying <b>PAPER SKEW</b> on the LCD display and stopping printing. If you select <b>OFF</b> , you do not receive an error even if the print job is out of range of the loaded paper.
TIME OUT	Selects the time interval before cancelling a print job if the printer cable is unplugged or the printer hangs (range is 30 to 300 seconds).
CUTTER ADJUSTMENT	Prints cutter adjustment patterns and allows you to adjust the cutting position if you print with no top or bottom margins.
REFRESH MARGIN	Selects whether to automatically leave an extra margin area after borderless print jobs.
AUTO NOZZLE CHECK	Selects whether to automatically check the print head nozzles before printing each print job. Do not select <b>ON</b> if using non-Epson media or paper narrower than 8.26 inches (210 mm). (Available only when <b>AUTO CLEANING</b> setting is set to <b>ON</b> .)
AUTO CLEANING	Selects whether to automatically check and clean the print head, if necessary, when you run a nozzle check from the control panel or printer driver. Do not select <b>ON</b> if using non-Epson media or paper narrower than 8.26 inches (210 mm).
QUIET CUT	Selects whether to cut printouts slowly to decrease cutting noise and paper particles.
INITIALIZE SETTINGS	Resets the <b>PRINTER SETUP</b> menu settings to their default settings.
<b>TEST PRINT menu</b>	
NOZZLE CHECK	Prints a nozzle check pattern
STATUS SHEET	Prints a sheet showing the status of various printer parts and settings
NETWORK STATUS SHEET	Prints a sheet showing the network settings; see the on-screen <i>Network Guide</i> for details.

Menu setting	Description
JOB INFORMATION	Prints a sheet showing information about the last 10 print jobs.
CUSTOM PAPER	Prints information about paper configurations you have created
<b>PRINTER STATUS menu</b>	
VERSION	Displays the printer's firmware version number.
PRINTABLE PAGES	Displays an estimate of the number of pages that can be printed based on the ink cartridge status.
INK LEVEL	Displays the status of the ink in the cartridges.
MAINTENANCE TANK	Displays the status of the maintenance tank.
USAGE COUNT	Displays the approximate amount of ink and paper used.
CLEAR USAGE COUNT	Clears the values displayed in <b>USAGE COUNT</b> .
JOB HISTORY	Displays the approximate amount of ink and paper used in the last 10 print jobs.
TOTAL PRINTS	Displays the total number of pages printed.
SERVICE LIFE	Displays the service life of each printer part.
EDM STATUS	For future enhancements to the printer; no settings necessary.
<b>CUSTOM PAPER menu</b>	
PAPER NUMBER	Selects the number for each special paper configuration you create using the settings below.
PLATEN GAP	Adjusts the distance from the print head to the paper. <b>STANDARD</b> for most printing <b>WIDE</b> or <b>WIDER</b> if images are smeared <b>NARROW</b> for thin paper <b>WIDEST</b> for thick paper
THICKNESS PATTERN	Prints a thickness patterns so you can select a <b>THICKNESS NUMBER</b> setting below.
THICKNESS NUMBER	Selects the thickness number for the best pattern printed using the <b>THICKNESS PATTERN</b> setting above.
CUT METHOD	Selects the cutting blade pressure you want to use for the paper. <b>STANDARD</b> <b>THIN PAPER</b> <b>THICK PAPER, FAST</b> <b>THICK PAPER, SLOW</b>
PAPER FEED ADJUST	Adjusts the amount of paper fed during printing to help eliminate banding (–0.70 to 0.70%). Choose a lower value if you see white lines on your prints, or a higher value if you see dark lines.
DRYING TIME	Selects a drying time for ink to avoid smearing (from 0 to 10 seconds).

Menu setting	Description
PAPER SUCTION	Adjusts the suction pressure when printing on thin paper or backlight film.  STANDARD -1 to -4
M/W ADJUSTMENT	Adjust the intensity of the MicroWeave pattern to improve print quality, but lower print speed.  STANDARD 1 or 2
<b>MAINTENANCE menu</b>	
CUTTER REPLACEMENT	Starts procedure to replace the paper cutter blade
BK INK CHANGE	Starts the procedure to replace the black ink cartridge type
POWER CLEANING	Starts a print head power cleaning cycle
CLOCK SETTING	Sets the printer date and time settings
CONTRAST ADJUSTMENT	Adjusts the contrast of the LCD display.
<b>HEAD ALIGNMENT menu</b>	
PAPER THICKNESS	Select the paper thickness for aligning the print head.
ALIGNMENT	Select and start running print head alignment of various types.
NETWORK SETUP menu (see the on-screen <i>Network Guide</i> for details)	
NETWORK SETUP	Select to enable or disable network printing and select the settings below.
IP ADDRESS SETTING	Select to set the IP address automatically or manually.
IP, SM, DG SETTING	Enter the IP address settings, if selecting the address manually.
BONJOUR	Select the Bonjour network settings, if necessary.
INIT NETWORK SETTING	Returns the network settings to their default settings.

## Printing Status Information

The status check sheet shows some of the current default settings, the amount of ink remaining in each cartridge, the page count, and the status of various printer parts.

1. Make sure paper is loaded in the printer.
2. Press the Menu button.
3. Press the ▼ button to highlight TEST PRINT, then press Menu.
4. Press ▼ to highlight STATUS SHEET, then press Menu. You see PRINT.

5. Press ↵ to start printing.

The amount of ink left or the maintenance tank capacity is indicated as follows:

E[\*\*\*\*\*]F = 100–81% of ink or maintenance tank capacity remaining

E[\*\*\*\* ]F = 80–61%

E[\*\*\* ]F = 60–41%

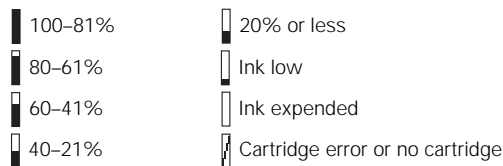
E[\*\* ]F = 40–21%

E[\* ]F = 20–11%

% = less than 10% of ink or maintenance tank capacity remaining

## Replacing Ink Cartridges

The easiest way of checking ink levels is from the control panel LCD display. The numbers below the ink icons on the LCD display correspond to the 8 ink cartridge slots on the printer. The icons show the approximate amount of ink remaining as follows:



When the red Ink light is flashing and INK LOW appears on the LCD display, the indicated cartridge is almost expended. Make sure you have a replacement cartridge. When the lights stay on and REPLACE INK CARTRIDGE is displayed, the cartridge is expended. You must replace the cartridge before you can continue printing.

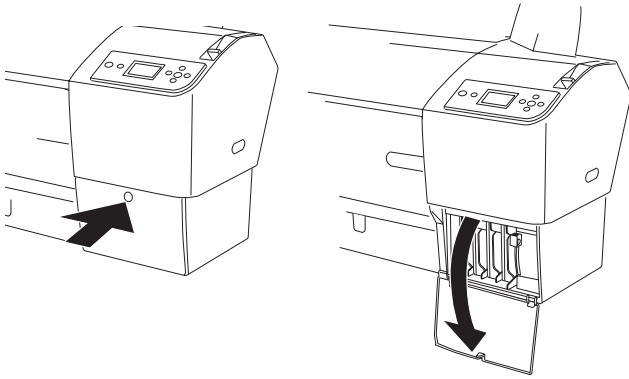
See page 4 for information on selecting the correct replacement cartridges. You can install any combination of 110 ml and 220 ml cartridges. Before you start, make sure the printer is powered on. Then follow these steps to replace an ink cartridge:

1. Note the color of the cartridge that is low or expended. This is the cartridge you need to replace.
2. Press the ink compartment covers to open them.

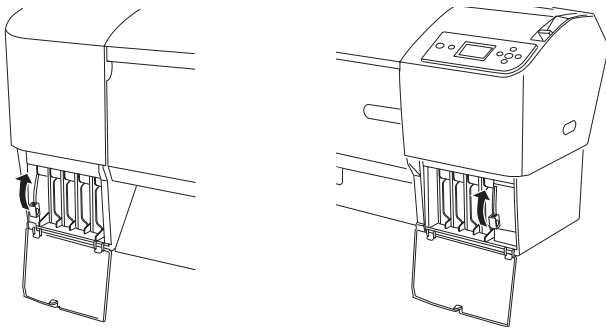
**Caution:**

Leave the expended cartridge in the printer until you are ready to replace it.

To prevent ink reporting errors, never replace the ink cartridges with the printer turned off.



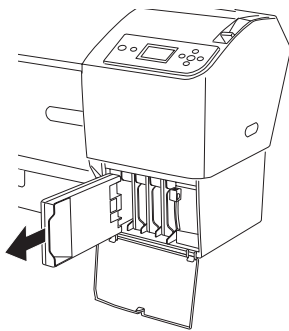
3. Raise the ink levers to the unlocked position.



4. Remove the expended ink cartridge from the printer. It's a good idea to save your first set of expended cartridges so you can use them for transporting the printer, if necessary.

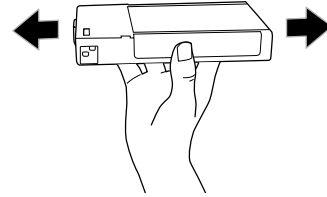
**Warning:**

Do not shake the expended cartridge, or ink may leak out. If ink gets on your hands, wash them thoroughly with soap and water. If ink gets in your eyes, flush them immediately with water.



5. Make sure the replacement cartridge is the correct color and remove it from its package.

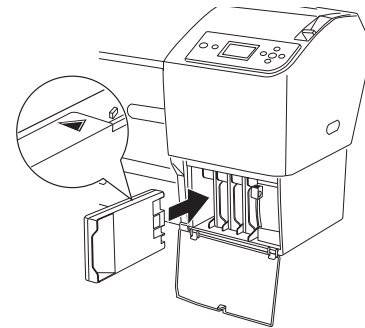
6. Gently shake the cartridge well before installing it.



7. Hold the cartridge with the arrow pointing toward the printer. Then insert the cartridge into the slot. Don't force it in.

**Note:**

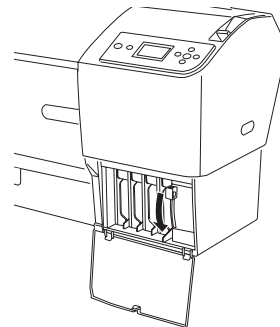
If you can't insert the cartridge smoothly, you may have the wrong cartridge. Check the package and product code. If the **Ink light** remains on after installing the cartridge, it may not be inserted fully.



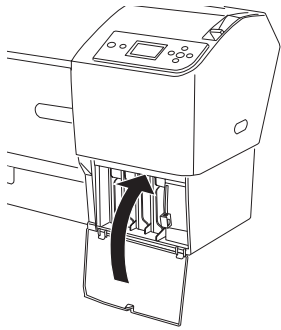
**Caution:**

Do not remove and re-insert cartridges more often than necessary. Doing so can compromise the needle valve seal and allow air to enter the ink tubes, causing nozzle damage.

8. Lower the ink levers to their locked position.



9. Close the ink compartment covers.



Once the cartridge is installed, the printer returns to its READY state.

---

### Paper Type and Banding

---

Banding can be caused by several problems, such as clogged print head nozzles or a misaligned print head. It can also be caused by using a paper that is not defined in the Epson printer driver or in a third-party RIP. To correct this problem, make sure you select the correct paper type in the driver. See “Selecting the Correct Media Type Setting” in the *User’s Guide* or *Printer Guide*.

If your paper type is not defined, use the printer’s menu system to create a custom paper type. See “Optimizing the Settings for Your Paper” in the *User’s Guide* or *Printer Guide*.

---

### Checking and Cleaning the Print Head

---

If your printed image shows a color shift or horizontal lines, you should check the print head to see if any nozzles are clogged or deflected. If necessary, the printer will automatically run a cleaning cycle to clear the nozzles.

1. Press the Menu button.
2. Press the ▼ button until TEST PRINT is highlighted, then press Menu. NOZZLE CHECK is selected.
3. Press Menu, then press ↵ to start printing the nozzle check pattern.

The nozzle check pattern is printed and automatically read. If the printer finds clogged nozzles, it runs a cleaning cycle.

**Caution:**

Don’t run a cleaning cycle while thick media is loaded in the printer.

**Note:** You can run a cleaning cycle by holding down the Menu button for three seconds. You also can check and clean the print head using your printer utility software. See the *User’s Guide* for instructions.

### Running a Power Cleaning Cycle

You can run a power cleaning cycle from the control panel if the normal cleaning process is not sufficient to clear the nozzles. However, the power cycle uses a large quantity of ink, so it is recommended only as a last resort.

The cartridges need to be at least 50% full to use power cleaning. You may need to replace a low cartridge to run the cleaning cycle. After cleaning, you can reinsert the old cartridge.

1. Print a nozzle check to make sure the print head needs cleaning. See *User’s Guide* for instructions.
2. Make sure the printer is ready and the red ● Ink light on the printer’s LCD display is not on or flashing.
3. Press the Menu button.
4. Press the ▼ button until MAINTENANCE is highlighted, then press Menu.
5. Press ▼ until POWER CLEANING is highlighted, then press Menu. Press Menu again, then press ↵ to start the power cleaning.
6. Follow the instructions on the LCD display to raise or lower the ink levers.
7. When cleaning is finished and the ■■ Pause light stops flashing, print the nozzle check again to confirm that the head is clean.

For effective cleaning, always run a nozzle check between cycles.

If the pattern is still missing segments or has deflections after a power cleaning cycle, turn the printer off and leave it overnight. Then clean the print head again the following morning with regular cleaning cycles. If you still see no improvement, contact Epson for assistance.

---

### Aligning the Print Head

---

Aligning the print head is the most important thing you can do to ensure the best print quality. If banding appears on your prints, if they look grainy or blurry, or if you see misregistration or “ghosting,” you may need to align the print head.

Although you can align the print head using the printer utility software, it’s also easy to align from the printer’s control panel. This will do the most thorough job in the shortest time, and it’s all automatic.

If you haven’t already done so, it’s a good idea to run a nozzle check before aligning the print head (see *User’s Guide*). This ensures that the print head alignment patterns print correctly.



Follow these steps to align the print head using the control panel:

1. Make sure the printer is turned on. Then load Epson Enhanced Matte Paper.
 

**Tip:**  
To properly align the print head, you can also use Epson Doubleweight Matte Paper or Ultra Premium Photo Paper Luster.
2. Press the Menu button.
3. Press ▼ until HEAD ALIGNMENT is highlighted, then press Menu. PAPER THICKNESS is highlighted.
4. Press Menu. The STANDARD setting is selected by default. This is the correct thickness setting for most Epson papers.
5. Press ↵ to save the setting.
6. Press ◀, then press ▼ to highlight ALIGNMENT.
7. Press the Menu button to highlight AUTO, then press Menu again. UNI-D (uni-directional) is highlighted. This is the type of alignment to start with.
8. Press ↵ to start the alignment process.
 

Each head alignment takes about 7 minutes. The printer's white beam sensor reads the alignment pattern and adjusts the printer automatically. Make sure you don't open the front cover or turn off the printer during this process.
9. When the uni-directional alignment is finished, press the ▼ button until BI-D 2-COLOR is highlighted. Then press ↵ to start the bi-directional black alignment process.
10. When the bi-directional black alignment is finished, press ▼ until BI-D ALL is highlighted. Then press ↵ to start the alignment process.
11. When done, press the ■ Pause button to exit head alignment mode.

If you want to fine-tune the automatic alignment process, you can perform a manual head alignment. See your electronic *User's Guide* for instructions.

---

## Replacing the Paper Cutter Blade

---

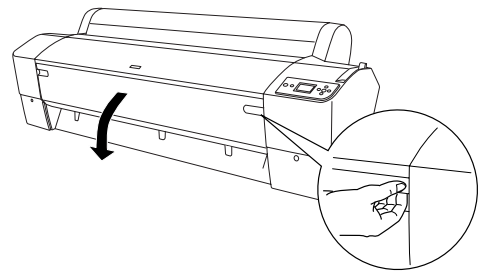
If you notice that your paper isn't cut cleanly, the cutter blade may need to be replaced. If you use the blade to cut heavy stock, you will damage the blade and need to replace it. For a list of media that are not recommended for use with the cutter, see the *User's Guide* or *Printer Guide*.

You can check the status of your cutter by printing a status sheet. See page 6 for instructions. You can obtain a new cutter blade from Epson (part number C12C815291).

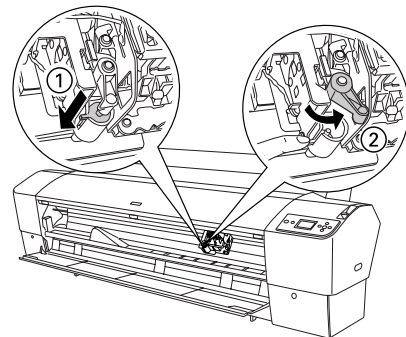
## Removing the Old Blade

Make sure the printer is turned on, then follow these steps to remove the blade:

1. Press the Menu button.
2. Press ▼ until MAINTENANCE is highlighted, then press Menu.
3. CUTTER REPLACEMENT is highlighted. Press Menu again.
4. Press ↵. The print head moves to the replacement position. OPEN FRONT COVER TO SEE CUTTER REPLACEMENT LABEL is displayed.
5. Open the front cover.



6. When SEE LABEL TO REPLACE CUTTER is displayed on the LCD display, hold down the side pin (as shown to the left) and turn the latch to the right (as shown on the right).

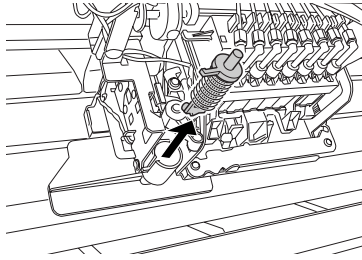


7. Release the side pin. The cutter pops out.

**Warning:**

The blade is sharp. Be careful when removing it.

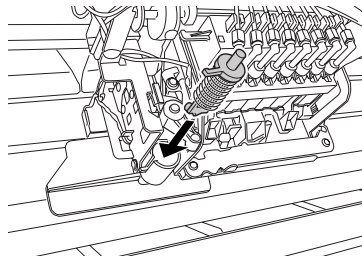
8. Carefully remove the cutter blade.



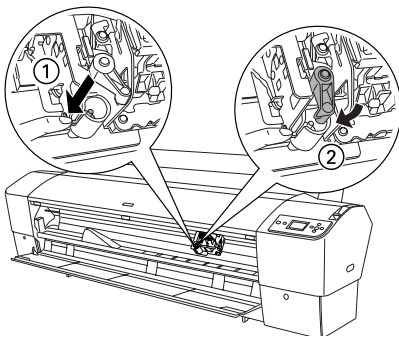
### Installing the New Cutter Blade

Remove the new blade from its package, then follow these steps to install it:

1. Insert the new cutter as shown.



2. Push down on the side pin while turning the latch to the left.



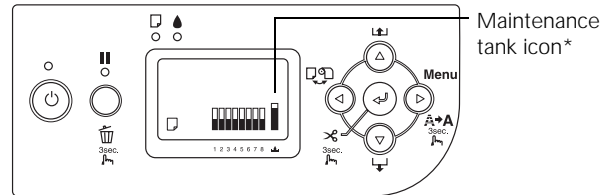
3. Close the front cover when you see a message prompting you to do so. The cutter moves to the home position and READY appears on the LCD display.

## Replacing the Maintenance Tank

The maintenance tank stores ink that gets flushed from the system during the initial ink charge and manual and automatic print head cleaning. When the tank is almost full, the message MAINTENANCE TANK NEAR FULL appears on

the LCD display. When the tank is completely full, the printer stops working and MAINTENANCE TANK FULL appears on the LCD.

You can check how much space remains in the maintenance tank by viewing its icon on the control panel, shown below. You can also check its status using the menus, using your printer software, or by printing a nozzle check sheet.



\*The Epson Stylus Pro 9880 has two maintenance tank icons.

The icons show the percentage of space remaining in the tank(s) as follows:

	100-81%		20% to nearly full
	80-61%		Tank nearly full
	60-41%		Tank full
	40-21%		Tank error or no maintenance tank

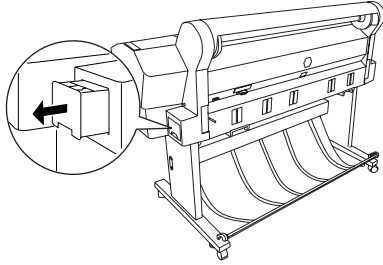
The Epson Stylus Pro 7880 has one maintenance tank (on the right side), and the 9880 has two (one on either side). Replacement tanks are available from Epson (part number C12C890191).

**The printer will not print if one of the maintenance tanks is full.** On the Epson Stylus Pro 9880, the right tank is used more than the left. To maximize tank life, you can switch the tanks when the right tank reaches approximately 40% to 60% of capacity.

Follow these steps to replace the tank:

1. Make sure the printer is not printing or performing any other operations (READY or PAPER OUT should appear on the LCD display).
2. If you have the Epson Stylus Pro 9880, check the LCD display to determine which tank needs to be replaced (left or right).

3. Grasp the handle at the bottom of the tank (on the side of the printer) and gently pull out the maintenance tank.

**Caution:**

Be careful not to spill ink from the maintenance tank when removing it. Hold it upright at all times and dispose of it carefully.

4. Place the used tank in the plastic bag included with the new tank.
5. Insert the new tank.

---

## Updating the Driver and Firmware

---

To ensure that you have the most up-to-date firmware and driver for your new printer, please visit [epson.com/support](http://epson.com/support). Choose your printer and click Drivers & Downloads to see if there are any updates posted. You may also need to download the latest version of the EPSON LFP Remote Panel utility. Check back regularly to maintain compatibility with existing and future applications.

When your printer is set up and your software is installed, run the EPSON LFP Remote Panel utility to check your printer's firmware ROM version and update it if necessary.

---

## Related Documentation

---

CPD-24356	Epson Stylus Pro 7880/9880 <i>Printer Guide</i>
CPD-24358	Epson Stylus Pro 7880/9880 <i>Quick Reference Guide</i>
CPD-24357	Epson Stylus Pro 7880/9880 CD-ROM with on-screen <i>User's Guide</i> and <i>Network Guide</i>