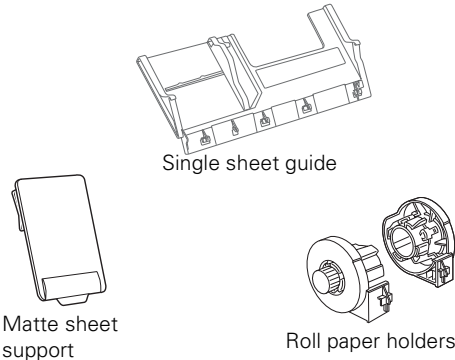
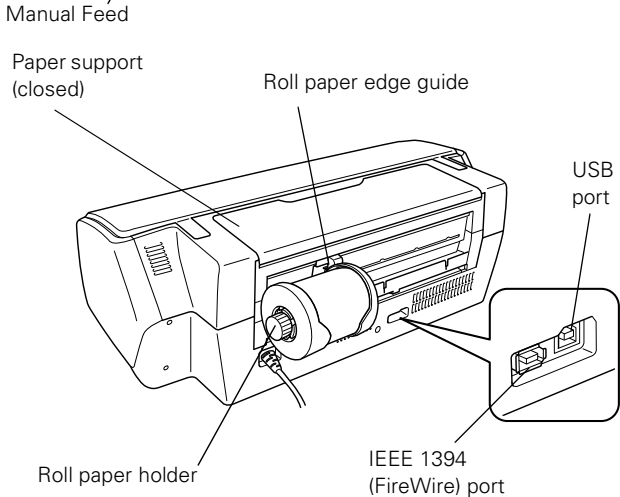
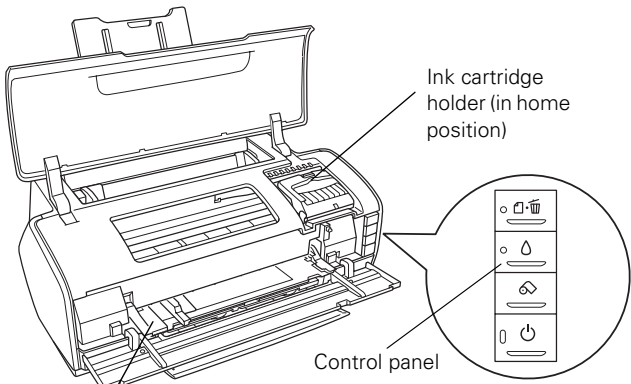
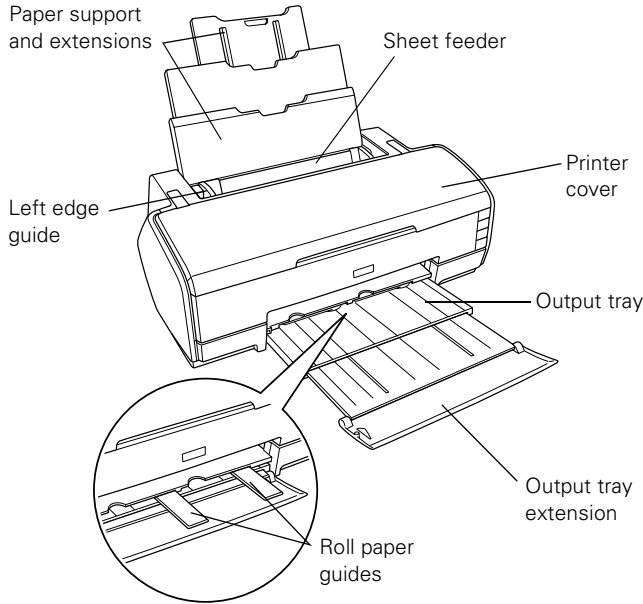


Printer Parts



Accessories

Ink Cartridges

Cartridge	Part number
Light Light Black	T059920
Light Magenta	T059620
Light Cyan	T059520
Light Black	T059720
Photo Black	T059120
Matte Black	T059820
Cyan	T059220
Magenta	T059320
Yellow	T059420

Caution: To ensure good results, use genuine Epson ink cartridges and do not refill them. Other products may cause damage to your printer not covered by Epson’s warranty.

Epson Stylus Photo R2400

Epson Papers

Paper name*	Size	Part number
Epson Premium Bright White Paper	Letter (8.5 x 11 inches)	S041586
Epson Photo Quality Ink Jet Paper	Letter (8.5 x 11 inches)	S041062
	Legal (8.5 x 14 inches)	S041067
	B (11 x 17 inches)	S041070
	Super B (13 x 19 inches)	S041069
Epson Photo Quality Self Adhesive Sheets	A4 (8.3 x 11.7 inches)	S041106
Epson Enhanced Matte Paper**	Letter (8.5 x 11 inches)	S041341
	A3 (11.7 x 16.5 inches)	S041343
	Super B (13 x 19 inches)	S041339
Epson Matte Paper Heavyweight**	Letter (8.5 x 11 inches)	S041257
	8 x 10 inches, borderless	S041467
	11 x 14 inches, Borderless	S041468
	A3 (11.7 x 16.5 inches)	S041260
	Super B (13 x 19 inches)	S041263
Epson Double-Sided Matte Paper**	Letter (8.5 x 11 inches)	S041568
Epson Premium Glossy Photo Paper	Letter (8.5 x 11 inches)	S041286, S041667
	4 x 6 inches, borderless	S041727, S041808
	5 x 7 inches, borderless	S041464
	8 x 10 inches, borderless	S041465
	B (11 x 17 inches)	S041290
	A3 (11.7 x 16.5 inches)	S041288
	Super B (13 x 19 inches)	S041289
	11 x 14 inches, Borderless	S041466
	4 inches x 26 ft roll paper	S041302
	8.3 inches x 32.8 ft roll paper	S041376
	13 inches x 32.8 ft roll paper	S041378

Paper name*	Size	Part number
Epson Premium Semigloss Photo Paper	Letter (8.5 x 11 inches)	S041331
	Super B (13 x 19 inches)	S041327
	4 inches x 26 ft roll paper	S041329
Epson Premium Luster Photo Paper	Letter (8.5 x 11 inches)	S041405
	A3 (11.7 x 16.5 inches)	S041406
	Super B (13 x 19 inches)	S041407
	8.3 inches x 32.8 ft roll paper	S041408
	13 inches x 32.8 ft roll paper	S041409
Proofing Paper Commercial Semimatte	Super B (13 x 19 inches)	S041744
Epson Watercolor Paper - Radiant White***	Super B (13 x 19 inches)	S041351
Epson Velvet Fine Art Paper***	Letter (8.5 x 11 inches)	S041636
	Super B (13 x 19 inches)	S041637
Epson UltraSmooth™ Fine Art Paper***	Super B (13 x 19 inches)	S041896
PremierArt™ Water-Resistant Canvas for Epson	13 inch x 20 foot roll	SP91220
PremierArt™ Matte Scrapbook Photo Paper for Epson***	Letter (8.5 x 11 inches)	SCR1002
	12 x 12 inches	SCR1003

* Availability of paper types varies by location. See page 12 or your paper instructions to select the Type or Media Type setting. If you load paper not listed as a setting in your printer software, you may see smears, roller marks, misting, or other problems.

** This matte paper requires the matte sheet support when loading multiple sheets 11 inches wide or wider; smaller paper can be loaded without it.

***This paper must be loaded one sheet at a time in the single sheet guide.

Printer Specifications

Printing

Printing method Advanced Micro Piezo pigment ink technology, optimized for photo printing

Nozzle configuration 1440 nozzles (180 × 8)

Standards and Approvals

Safety	UL 60950 CSA C22.2 No.60950
EMC	FCC Part 15 Subpart B Class B CSA C108.8 Class B

Mechanical

Paper path	Sheet feeder, top entry
Sheet feeder capacity	About 120 sheets at 24 lb (90 g/m ²) paper
Dimensions	Storage Width: 24.2 inches (615 mm) Depth: 12.2 inches (314 mm) Height: 8.8 inches (223 mm)
	Printing Width: 24.2 inches (615 mm) Depth: 29.0 inches (737 mm) Height: 18.0 inches (457 mm)
Weight	25.8 lb (11.7 kg) without the ink cartridges

Electrical

	120 V Model	220-240 V Model
Input voltage range	99 to 132 V	198 to 264 V
Rated frequency range	50 to 60 Hz	
Input frequency range	49.5 to 60.5 Hz	
Rated current	0.5 A (Max. 0.8 A)	0.25 A (Max. 0.4 A)
Power consumption	Approx. 18 W (ISO10561 Letter Pattern) Approx. 1 W in Sleep mode	Approx. 18 W (ISO10561 Letter Pattern) Approx. 1.3 W in Sleep mode

* Check the label on the back of the printer for its voltage.

Environmental

Temperature	Operation: 50 to 95°F (10 to 35°C) Storage: -4 to 104°F (-20 to 40°C) 1 month at 104°F (40°C)
Humidity	Operation: 20 to 80% RH Storage:*** 5 to 85% RH

* Stored in a shipping container

** Without condensation

Ink Cartridges

Color	Light Light Black, Light Magenta, Light Cyan, Light Black, Photo Black, Matte Black, Cyan, Magenta, Yellow
Cartridge life	Within 6 months of opening the package, at 77 °F (25 °C)
Temperature	Storage: -4 to 104 °F (-20 to 40 °C) 1 month at 104 °F (40 °C) Freezing:* 3.2 °F (-16 °C)
Dimensions	0.5 inch (12.7 mm) [W] × 2.89 inch (73.5 mm) [D] × 2.18 inch (55.3 mm) [H]

* Ink thaws and is usable after approximately 3 hours at 77°F (25°C).

Paper

Single sheets

Size	Letter (8.5 × 11 inches [216 × 279 mm]) Legal (8.5 × 14 inches [216 × 356 mm]) A4 (210 × 297 mm) 4 × 6 inches (113.6 × 175.4 mm) 5 × 7 inches (127 × 178 mm) 8 × 10 inches (203 × 254 mm) 11 × 14 inches (279 mm × 356 mm) Super B (329 × 483 mm) US B (11 × 17 inches) A3 (297 × 420 mm) A6 (105 × 148 mm) 12 × 12 inches (30 × 30 cm) Panoramic 210 × 594 mm
Paper types	Plain bond paper, special paper distributed by Epson
Thickness (plain bond paper)	0.003 to 0.004 inch (0.08 to 0.11 mm)
Weight (plain bond paper)	17 lb (64 g/m ²) to 24 lb (90 g/m ²)

See page 2 for a list of special paper distributed by Epson.

Caution: Poor quality paper may reduce print quality and cause paper jams or other problems. If you encounter problems, switch to a higher grade of paper.

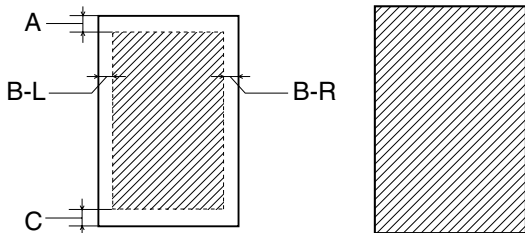
Do not load curled or folded paper.

Use paper under normal conditions:
Temperature: 59 to 77 °F (15 to 25 °C)
Humidity: 40 to 60% RH

Epson Photo Quality Self-Adhesive Sheets should be stored under the following conditions:
Temperature: 59 to 86 °F (15 to 30 °C)
Humidity: 20 to 60% RH

Printable area

Single sheets



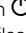
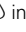






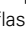


A:	The minimum top margin is 0.12 inch (3.0 mm).
B-L:	The minimum left margin is 0.12 inch (3.0 mm).
B-R:	The minimum right margin is 0.12 inch (3.0 mm).
C:	The minimum bottom margin is 0.12 inch (3.0 mm).

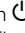

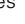
Roll paper

Standard margins	
	Pressing the ⌂ roll paper button after printing prints the cutting guideline. If you press the ⌂ roll paper button again and send print data, the margin between the printouts is about 65 mm.
	If you send a print job that has multiple pages, or send print jobs continuously, there will be no margin between the printouts.
Borderless	
	Pressing the ⌂ roll paper button after printing prints the cutting guideline. If you press the ⌂ roll paper button again and send print data, the margin between the printouts is about 65 mm.
	If you send a print job that has multiple pages, or send print jobs continuously, there will be no margin between the printouts.

Control Panel

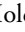
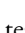


To diagnose printer problems, check the printer's lights or run a printer check (see below).

Lights	Explanation
Green  power light flashes	The printer is receiving a print job, printing, replacing an ink cartridge, charging ink, or cleaning the print head.
Red  ink light flashes	An ink cartridge is low on ink. Make sure you have a replacement cartridge.
Red  ink light on	An ink cartridge is out of ink, not installed, not installed correctly, or is not compatible with the printer. Follow the steps on page 5 to install or reinstall the cartridge correctly. The Photo Black or Matte Black cartridges were swapped during printing. Replace the original cartridge type in use before the error occurred.
Red  paper light on	Your paper ran out, multiple sheets fed, or the wrong size sheet fed. Sheet Feeder: If paper is out, load more paper and press the  paper button. If multiple sheets or the wrong size sheet fed, press the  paper button to eject the paper, then turn your printer off and then on. For loading instructions, see page 7. Single Sheet Guide: See page 9 for instructions on loading single sheets of special papers. Roll Paper: See page 10 for instructions on loading or reloading roll paper. Front Path: See page 11 for instructions on loading or reloading thick media.
Red  paper light flashes	Jammed paper is blocking print head movement, or you're trying to print on paper loaded into a path different than the path specified in the printer driver. If you suspect a paper jam, turn off the printer and pull out the jammed paper. Open the cover and remove any jammed or torn paper. Then do one of the following: Sheet Feeder or Single Sheet Guide: Turn on the printer, reload paper, and press the  paper button. Roll Paper: Cut off the printed portion, then remove the paper and reload it (see page 10). Front Path: See page 11 for instructions on loading or reloading thick media. If a print job was sent to one paper path, but media is loaded only for another paper path, load the paper in the correct path.
Green  power light is on Red  paper light flashes quickly Red  ink light flashes quickly	Jammed paper or a foreign object is preventing the print head from returning to the home position, or paper is loaded in the sheet feeder and the front path door is open. Turn off the printer, open the printer cover, and remove any jammed or torn paper, or foreign object. Close the front path door if it is open. Then turn the printer back on. If the error persists, contact your dealer or Epson

Lights	Explanation
Green  power light flashes	An unknown printer error has occurred. Turn off the printer, wait a few seconds, and turn it on again. If the lights are still flashing, contact Epson.
Red  paper light flashes	
Red  ink light flashes	

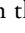
Running a Printer Check

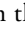
You can run a printer check to determine whether a problem comes from the printer or some other source.

1. Turn off your printer and computer, then disconnect the printer's interface cable.
2. Load letter-size paper in the sheet feeder.
3. Hold down the  paper button, then press and release the  power button. Continue to hold down the  paper button until the  power light flashes.
4. A test page prints the printer's ROM version number and a nozzle check pattern.
 - If the check page prints, the problem probably lies in your software settings, interface cable, or computer, or your software may not be installed correctly.
 - If the check page doesn't print, you may have a problem with your printer.


Try the suggestions in "Problems and Solutions" in the *User's Guide*.
5. Turn off the printer, connect the interface cable, and turn on your printer and computer.

Replacing an Ink Cartridge

When the red  ink light flashes, an ink cartridge is low on ink.

When the red  ink light stays on, you need to replace a cartridge.


You can open the printer cover to check the ink light indicating a cartridge that is low on ink or needs to be replaced.

When a cartridge is more than six months old, you may need to replace it if printouts don't look their best. If the quality doesn't improve after cleaning and aligning the print head, you can replace the cartridge even if the red  ink light is off.

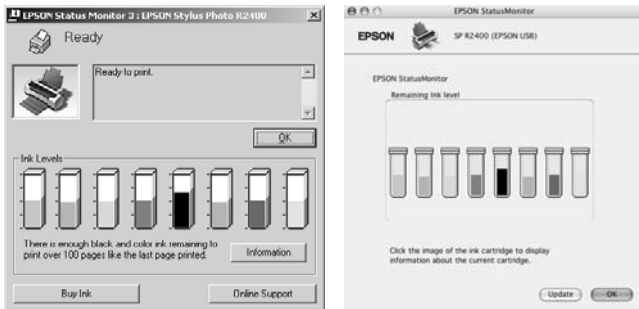
Caution: Don't open Epson Status Monitor or respond to any ink messages when your printer is printing. This may cause your printer to pause and leave an uneven surface on your printout. If your ink is running low, wait until printing finishes before checking ink levels or attempting to replace a cartridge. If you must replace an ink cartridge in the middle of a print job, the quality of your printout may decline. For best results, check your ink levels and replace ink cartridges, if necessary, before printing.

Checking the Ink Supply

To check your ink supply, do one of the following:

- ❑ **Windows:** Double-click the  icon on the Windows taskbar.
- ❑ **Mac OS X:** Choose Applications > EPSON Printer Utility > SP R2400 > EPSON StatusMonitor.

You see a window like this:



Click a cartridge image to display information about the cartridge (Macintosh), or click **Information** (Windows).

Purchasing Ink Cartridges

Use these Epson ink cartridges within six months of installing them and before the expiration date on the package:

Ink cartridge	Part number
Light Light Black	T059920
Light Magenta	T059620
Light Cyan	T059520
Light Black	T059720
Photo Black	T059120
Matte Black	T059820
Cyan	T059220
Magenta	T059320
Yellow	T059420

Caution: To ensure good results, use genuine Epson ink cartridges and do not refill them. Other products may cause damage to your printer not covered by Epson's warranty.

You can purchase ink cartridges, paper, manuals, and accessories from the Epson Store at (800) 873-7766 or visit <http://www.epsonstore.com> (U.S. sales only). In Canada, please call (800) 463-7766 for dealer referral.

Ink Cartridge Precautions

WARNING: Keep ink cartridges out of the reach of children; don't drink the ink.

If ink gets on your hands, wash them thoroughly with soap and water. If ink gets in your eyes, flush them thoroughly with water.

Caution: To avoid damaging the printer, never move the print head by hand.

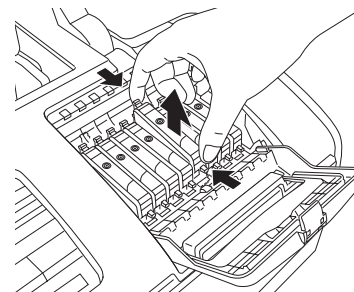
You cannot print if an ink cartridge is empty. Leave the empty cartridge installed in the printer until you have obtained a replacement. Otherwise the ink remaining in the print head nozzles may dry out.

Removing and Installing Ink Cartridges

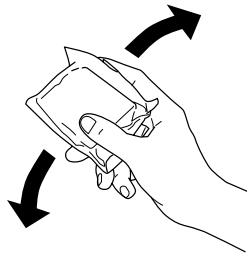
Be sure you have a new ink cartridge before you begin. Once you start replacing a cartridge, you must complete all the steps in one session.

You can replace a cartridge whether the red Δ ink light is off, flashing, or on.

1. Make sure the printer is turned on (the green \mathcal{P} power light should be on, but not flashing). Then open the printer cover.
2. Press the Δ ink button.
The print head moves and the green \mathcal{P} power light flashes.
If a red ink light is flashing or on (indicating a low or empty cartridge), the cartridge(s) indicated beneath the light(s) needs to be replaced.
3. Lift up the cartridge cover.
4. Press in the tab on the back of the cartridge, lift it out of the printer, and dispose of it carefully.



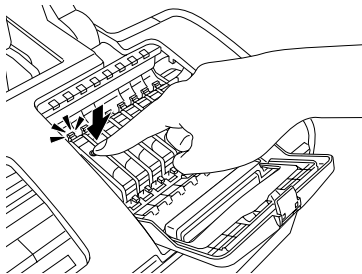
- Shake the new cartridge four or five times before opening its package. (Don't shake it after it's unpacked.)



- Remove the new cartridge from its package.

Caution: Don't touch the green circuit board on the front of the cartridge; you may inhibit normal operation and printing.

- Slide the new cartridge into its slot. The side with the green circuit board goes in the front of the slot.
- Press the cartridge down until it clicks into place.



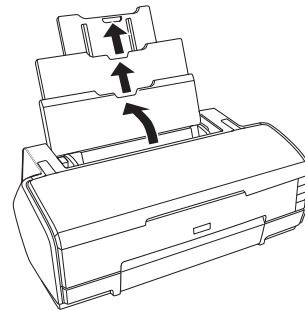
- If you need to replace any other ink cartridges, repeat steps 4 through 8.
- Close the cartridge cover, press it down on the top until it clicks, then close the printer cover.
- Press the Δ ink button. The printer begins charging the ink delivery system.

The green P power light and red Δ ink lights flash and the printer makes noise. Charging takes about 90 seconds. When it's finished, the green P power light stops flashing and stays on. The red Δ ink light and the light(s) above the cartridge(s) go out.

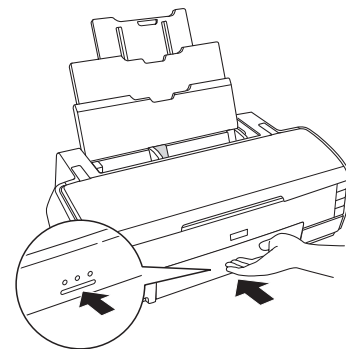
Caution: Never turn off the printer while the green P power light is flashing, unless the printer hasn't moved or made noise for more than 5 minutes.

Loading Paper in the Sheet Feeder

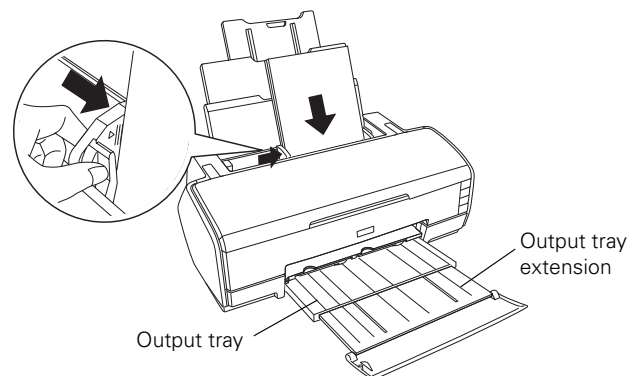
- Open the paper support and pull up the support extensions.



- Push in the bottom of the output tray. The tray opens and moves up.



- Pull out the output tray extension.
- Place your paper in the printer and slide it against the right side of the sheet feeder.



Check the following as you load paper:

- Always load the short edge first, even for printing landscape-oriented documents.
- Load the printable side face up. It's usually whiter or brighter than the other side.

- ❑ Load letterhead or preprinted paper into the printer top edge first.
- ❑ Don't load paper above the arrow on the left edge guide.

5. Adjust the left edge guide to fit lightly against the paper.

Note: The left edge guide moves out slightly, then moves back in as the paper feeds into the printer. Do not adjust the guide during this movement or during printing.

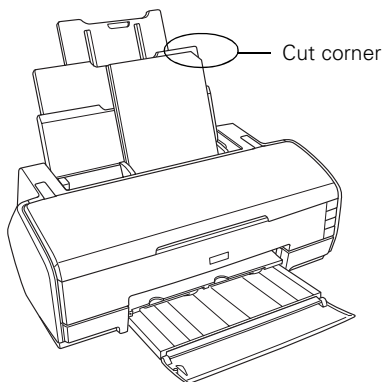
Loading Special Paper in the Sheet Feeder

You can load these Epson ink jet papers in the sheet feeder as follows:

Paper type	Loading capacity
Epson Enhanced Matte Paper* Epson Matte Paper Heavyweight* Epson Double-Sided Matte Paper* Epson Premium Glossy Photo Paper Epson Premium Semigloss Photo Paper Epson Premium Luster Photo Paper	20 sheets (10 sheets for A3 or Super B sizes)
Epson Photo Quality Ink Jet Paper	100 sheets (50 sheets for A3 or Super B sizes)
Epson Premium Bright White Paper	80 sheets
Epson Photo Quality Self Adhesive Sheets	1 sheet at a time

* These matte papers require the matte sheet support when loading multiple sheets 11 inches wide or wider; smaller paper can be loaded without it. See page 8.

If the special paper has a cut corner, load the paper so the cut corner is positioned as shown here. Check the paper package for additional handling instructions.



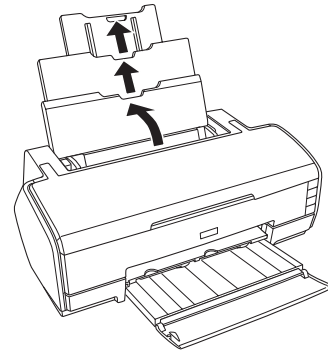
Note: Always keep unused paper in the original package and store it flat to prevent curling.

Loading Multiple Sheets of Matte Paper

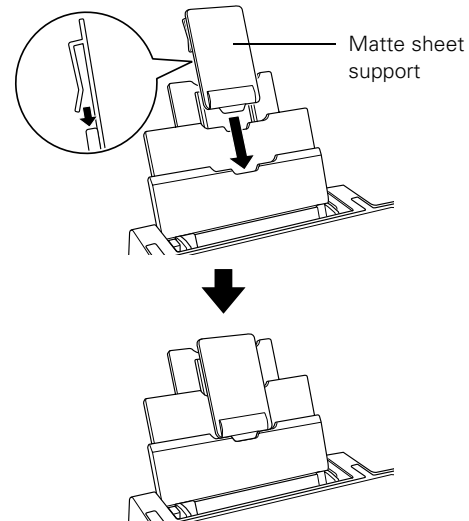
If you are loading multiple sheets of the following papers in sizes 11 inches wide or wider, attach the matte sheet support to the top of the sheet feeder to help separate the sheets of paper and prevent misfeeds:

- ❑ Epson Enhanced Matte Paper
- ❑ Epson Matte Paper Heavyweight
- ❑ Epson Double-Sided Matte Paper

1. Open the paper support and pull up its extensions.



2. Place the hook on the back of the matte sheet support over the paper support extension, and hold the top extension with one hand while sliding the matte sheet support all the way down.



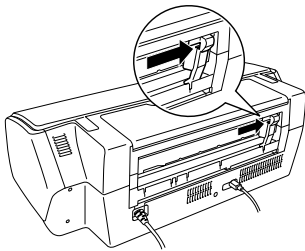
Note: Remove the matte sheet support when you load other types of paper.

Loading Special Paper in the Single Sheet Guide

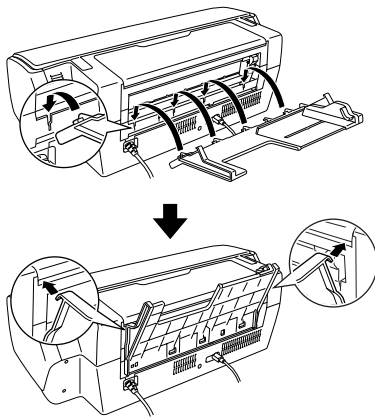
Load these types of paper in the single sheet guide:

- ❑ Epson Watercolor Paper - Radiant White
- ❑ Epson Velvet Fine Art Paper
- ❑ Epson UltraSmooth Fine Art Paper
- ❑ PremierArt Matte Scrapbook Photo Paper for Epson

1. Remove the roll paper holder, if it's installed (see page 10); and close the paper support and its extensions.
2. Slide the roll paper edge guide all the way to the right.

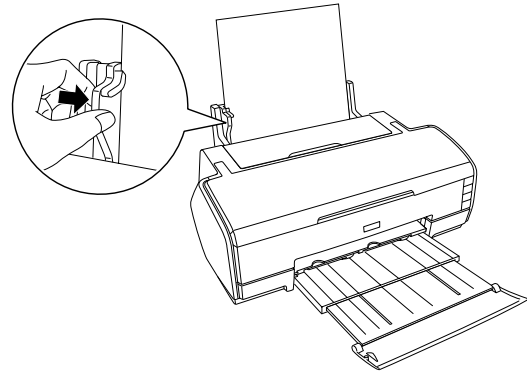


3. Line up the notches on the single sheet guide with the slots on the back of the printer and insert them as shown. Then insert the tabs on the top of the guide into the slot beneath the printer cover.

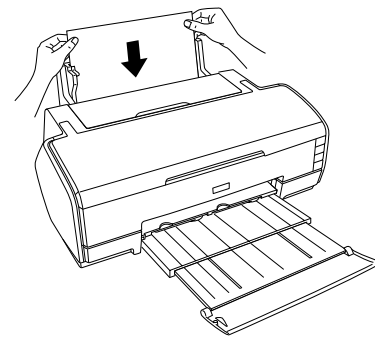


4. Turn on the printer (the printer must be on to load paper in the single sheet guide correctly).

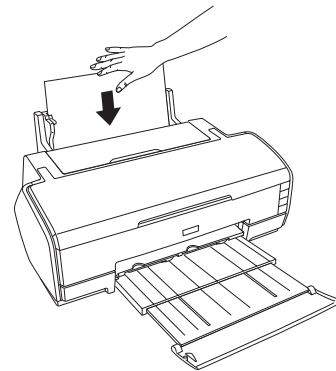
5. Insert one sheet of paper against the right edge, then slide the left edge guide against the sheet.


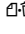


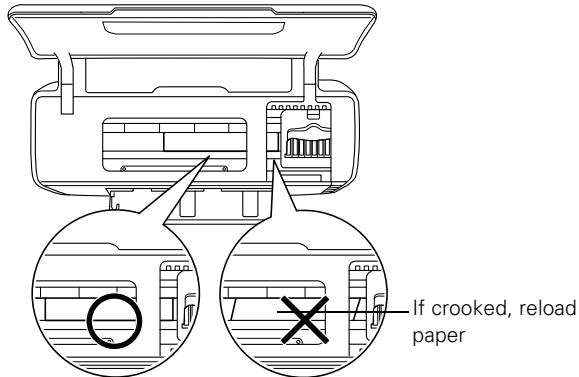
6. Guide the paper into the slot and feed it into the printer until the paper meets resistance.



7. Maintain a constant pressure against the paper until the printer pulls it in slightly. Let go of the paper to allow the printer to adjust the paper position.



- Open the printer cover and look down into the printer to make sure the paper is straight; if not, press the  roll paper button for 3 seconds to back the paper out. Press the  paper button to clear the paper out error, then load the paper again.



- Before printing, select **Manual - Roll** as the Source setting (Windows) or **Manual - Roll** as the Paper Source setting (Macintosh) in your printer software.

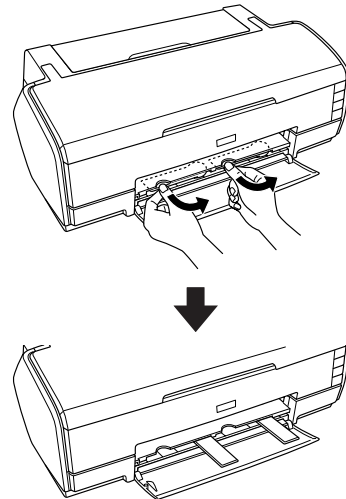
Loading Roll Paper

You can load 4-inch, 8.3-inch, or 13-inch wide roll paper for printing multiple photos or panoramics, with or without borders.

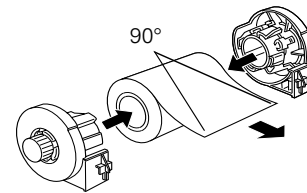
Tip: It's a good idea to check your ink levels before loading and printing on roll paper. (See page 6.) If you need to replace a cartridge with roll paper loaded, you should remove the paper or marks may appear in your printout.

- Turn on the printer and remove any paper loaded in the sheet feeder at the top of the printer.
- Close the paper support at the top of the printer.
- If the output tray and extension are open, push them in, but leave the flap at the end of the tray down.

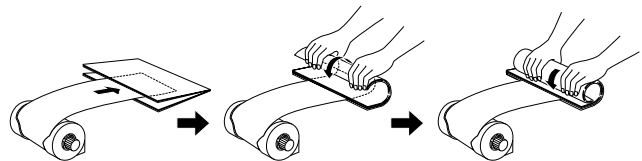
- Swing out the roll paper guides until they are straight.



- Place the roll paper on the holders as shown, then remove the tape and protective paper from the end of the roll.

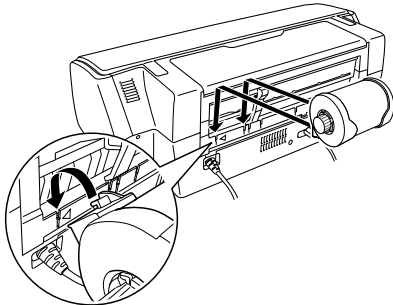


- Make sure the end of the paper is cut straight across, with 90° corners. If the end is cut diagonally, you may have problems feeding the paper.
- If the paper curls at the end, roll it backwards between a folded sheet of paper to uncurl it.



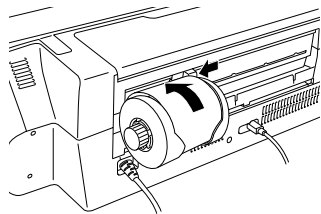
Avoid touching the printable surface of the roll paper.

8. Insert the left roll paper holder (marked with an orange triangle) into the far left slot (also marked with an orange triangle). Then insert the other holder into the corresponding slot on the right.

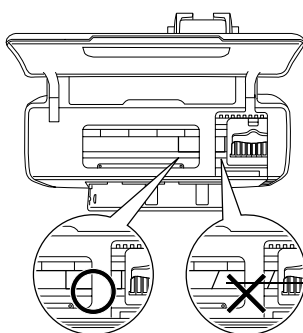


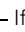
9. Load the paper part of the way into the roll paper feeder (under the white rollers), then slide the right roll paper edge guide to fit lightly against the paper.

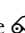
Caution: Don't load roll paper into the sheet feeder or the slot behind the paper support; make sure it is below the white rollers.




10. Push the paper into the feeder until the paper meets resistance. Maintain pressure on the paper until the printer feeds the paper automatically.
11. Open the printer cover and look down into the printer to make sure the paper is straight.



If crooked, press the  roll paper button for three seconds

If the paper is crooked, press the  roll paper button for three seconds to back the paper all the way out.

Then turn the roll paper holder knobs to roll up the paper. Press the  paper button to clear the paper out error. Repeat steps 8 through 10 to reload the paper.

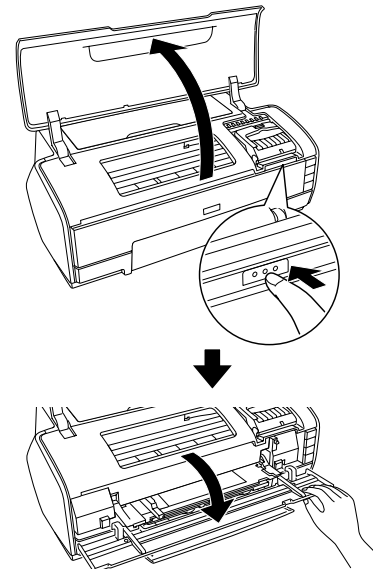
Follow the instructions in your *User's Guide* to print on roll paper.

Loading Thick Media in the Front Path

You can load media 1.3 mm thick into the front path, in sizes from 8 × 10 inches to A3+.

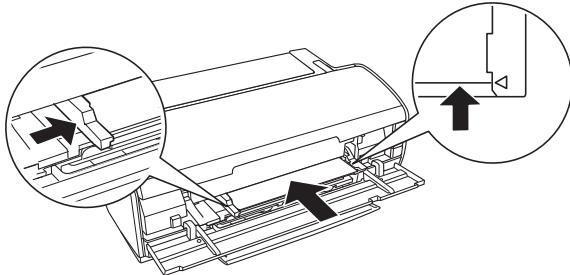
Note: Since the media feeds through the printer from the front to the rear, make sure there is enough space behind the printer for the media to move completely through the printer.

1. Turn on the printer and remove any paper loaded in the sheet feeder at the top of the printer.
2. Close the paper support at the top of the printer.
3. If the output tray and extension are open, push them in, but leave the flap at the end of the tray down.
4. Open the printer cover. Then open the front path door completely by pressing the front path door release area.



5. Close the printer cover.

- Insert the media two to three inches into the printer, and push the left edge guide against the media's edge. Maintain slight pressure on the guide while inserting the media the rest of the way into the printer. Stop when the front edge of the media is aligned with the arrow on the right side.



- Press the paper button. The media is fed into the printer automatically. When the power light stops flashing, the printer is ready to print. (To remove the thick media without printing, press the paper button again.)
- Before printing, select **Manual - Front** as the Source setting (Windows) or **Manual - Front** as the paper source setting within the Paper Size menu (Macintosh) in your printer software.

Note: If the printer fails to load the media and displays an error, remove the media and turn off the printer. Then turn the printer on again.

Selecting the Media Type Setting

Select the correct **Type** or **Media Type** setting so your printer knows what kind of paper you're using and adjusts the ink coverage accordingly.

Paper or other media loaded	Type or Media Type setting
Plain paper sheets Epson Premium Bright White Paper	Plain Paper
Epson Photo Quality Ink Jet Paper Epson Photo Quality Self Adhesive Sheets	Photo Quality Ink Jet Paper
Epson Enhanced Matte Paper	Enhanced Matte Paper
Epson Matte Paper Heavyweight PremierArt Matte Scrapbook Photo Paper for Epson	Matte Paper - Heavyweight
Epson Double-Sided Matte Paper	Double-Sided Matte Paper
Epson Premium Glossy Photo Paper	Premium Glossy Photo Paper
Epson Premium Luster Photo Paper	Premium Luster Photo Paper
Epson Premium Semigloss Photo Paper	Premium Semigloss Photo Paper

Paper or other media loaded	Type or Media Type setting
Epson Watercolor Paper - Radiant White	Watercolor Paper - Radiant White
Epson UltraSmooth Fine Art Paper	Ultra Smooth Fine Art Paper
Epson Proofing Paper Commercial Semimatte	Proofing Paper Semimatte
Epson Velvet Fine Art Paper	Velvet Fine Art Paper

Printing Borderless Cut Sheets

You can print your photos with no margins, extending the image all the way to the edges of the page. Although borderless printing is a bit slower, you get beautiful portraits and enlargements, without trimming, on these papers:

- Epson Premium Glossy Photo Paper
- Epson Matte Paper Heavyweight*
- Epson Enhanced Matte Paper*
- Epson Double-Sided Matte Paper *
- Epson Premium Luster Photo Paper
- Epson Premium Semigloss Photo Paper
- Epson Proofing Paper Commercial Semimatte
- Epson Watercolor Paper - Radiant White**
- Epson Velvet Fine Art Paper**
- Epson UltraSmooth Fine Art Paper**
- PremierArt Matte Scrapbook Photo Paper for Epson**

*If you are loading multiple sheets of matte paper that are larger than letter-size, use the matte sheet support. See page 8.

**These papers must be loaded in the single sheet guide. See page 9.

Caution: Don't open Epson Status Monitor, pause printing, or respond to any ink messages when your printer is printing. This may cause your printer to pause and leave an uneven surface on your printout. If your ink is running low, wait until printing finishes before checking ink levels or attempting to replace a cartridge. If you must replace an ink cartridge in the middle of a print job, the quality of your printout may decline. For best results, check your ink levels and replace ink cartridges, if necessary, before printing large or high-resolution print jobs.

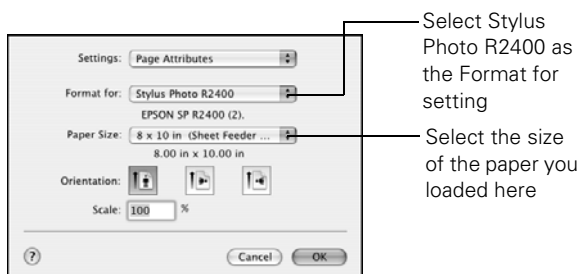
Windows



1. Start your printing application and open your photo file.
2. Open the File menu and click Print, then click Properties or Preferences.
3. Select Photo or Best Photo as the Quality Option.
4. Choose Sheet or Manual Roll as the Source setting.
5. Select the type of paper you loaded as the Type setting.
6. Click the Borderless checkbox.
7. Select your paper size as the Size setting.
8. Select Portrait or Landscape as the orientation setting.
9. Click the Page Layout tab, then adjust the Expansion setting. Choose Min for the least amount of image expansion (with a chance that there may be small borders around the edges) or Max for the greatest amount of expansion (some of the image will be cut off around the edges, but it will extend to the edge of the paper).
10. Click OK.
11. Click OK or Print.

Mac OS X

1. Start your printing application and open your photo file.
2. Click File > Page Setup.
3. Select Stylus Photo R2400 as the Format for setting.



4. Select the size of the paper you loaded with a Sheet Feeder - Borderless source as the Paper Size setting.
5. Select one of the portrait or landscape orientation icons as the Orientation setting.
6. Click OK.
7. Click File > Print.



8. For the Printer setting, select Stylus Photo R2400.
9. Select Print Settings from the pop-up menu.
10. Select the type of paper you loaded as the Media Type setting.

Note: If you can't choose your paper type, check your Page Setup settings to make sure you selected the correct paper size and source.
11. Move the slider to the Quality setting.
12. Choose Expansion from the pop-up menu, then adjust the Expansion setting. Choose Min for the least amount of image expansion (with a chance that there may be small borders around the edges) or Max for the greatest amount of expansion (some of the image will be cut off around the edges, but it will extend to the edge of the paper).
13. Click Print.

Cleaning the Print Head

If your printouts are unexpectedly light, or dots or lines are missing, you may need to clean the print head. This unclogs the nozzles so they can deliver ink properly. Print head cleaning uses ink, so clean it only if quality declines.

Caution: When you don't turn on your printer for a long time, print quality can decline, so turn it on at least once a month to maintain good print quality.

This section explains how to clean the print head using the Auto Nozzle Check and Cleaning utility and the Head Cleaning utility. Use the Auto Nozzle Check and Cleaning utility first, to let the printer check and clean the nozzles. If you still notice problems with quality, you can manually clean the print head.

Note: You can also clean the print head by holding down the Δ ink button on the printer for three seconds (when the red Δ ink light is off).

Automatically Checking and Cleaning the Print Head


The Auto Nozzle Check and Cleaning utility prints a nozzle check pattern that the printer then reads to see if you have any clogged nozzles. If cleaning is needed, the printer automatically cleans the print head.

1. Make sure the printer is turned on but not printing, and the red Δ ink light is off. (If the Δ ink light is flashing or on, you need to replace a cartridge; see page 5.)

2. Load several sheets of plain, letter-size (8.5 × 11 inches) paper in the printer's sheet feeder.

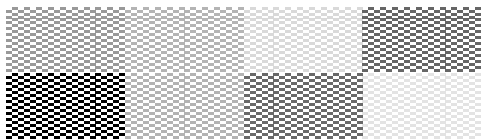
Note: Sizes smaller than letter, including 8.5 × 10 inches, won't work.

3. Do one of the following:

Windows: Right-click the  icon on your taskbar (in the lower right corner of your screen). Select **Auto Head Cleaning**.

Mac OS X: Open the Applications folder and select EPSON Printer Utility. Select SP R2400, click OK, and select Auto Nozzle Check and Cleaning.

4. Follow the instructions on the screen. The printer prints and examines the nozzle check pattern shown below. If cleaning is necessary, it then cleans the print head and prints and checks another nozzle check pattern.



5. The utility prints and checks up to five times. If some print head nozzles are still clogged, it displays an on-screen message telling you to manually clean the print head. Follow the instructions in the next section to clean the print head, if necessary.

If you still have print quality problems, check the solutions in the *User's Guide*. You can also turn the printer off and wait overnight—this allows any dried ink to soften—and then try cleaning the print head again.

Running the Head Cleaning Utility

1. Make sure the printer is turned on but not printing, and the red Δ ink light is off. (If the Δ ink light is flashing or on, you need to replace a cartridge; see page 5.)

2. Do one of the following:

Windows: Right-click the  icon on your taskbar (in the lower right corner of your screen). Select **Head Cleaning**.

Mac OS X: Open the Applications folder and select EPSON Printer Utility. Select SP R2400, click OK, and select **Head Cleaning**.

3. Follow the instructions on the screen to clean the print head.

Cleaning takes about two minutes, during which the printer makes noise and the green \odot power light flashes.

Caution: Never turn off the printer while the green \odot power light is flashing, unless the printer hasn't moved or made noise for more than 5 minutes.

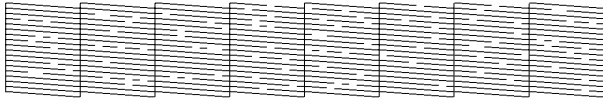


4. When the green \odot power light stops flashing, make sure paper is loaded in the printer. Click **Print nozzle check pattern**, then click **Print** (Windows) or click **Confirmation**, then click **Next** (Macintosh). The nozzle check pattern prints.

5. If the nozzle check pattern has no gaps or lines (as shown below), click **Finish**.



If the pattern has white lines or gaps (as shown below), click **Clean** to clean the print head again.




If you don't see any improvement after cleaning the print head three or four times, check the solutions in the *User's Guide*. You can also turn the printer off and wait overnight—this allows any dried ink to soften—and then clean the print head again.

Aligning the Print Head

If your printouts contain misaligned vertical lines, or you see light or dark horizontal banding, you may need to align the print head. You can have the printer automatically check and align the print head or you can check and adjust the alignment yourself.

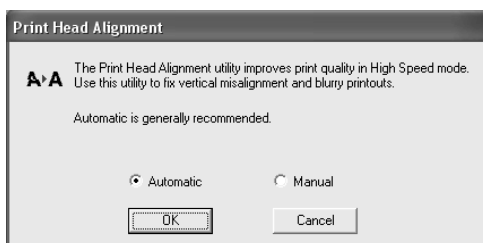
Automatically Aligning the Print Head

1. Turn on the printer.
2. Load plain, letter-size paper.
3. Do one of the following:

Windows: Right-click the  icon on your taskbar (in the lower right corner of your screen). Select **Print Head Alignment**.

Mac OS X: Open the **Applications** folder and select **EPSON Printer Utility**. Select **SP R2400**, click **OK**, and select **Print Head Alignment**.


You see a screen like this:



4. Click the **Automatic** button, if necessary, then click **OK**.
5. On the next screen, click **Start**. The printer then prints and checks an alignment pattern. It then prints and checks two more patterns.
6. When alignment is finished, click **Finish** on the last screen.

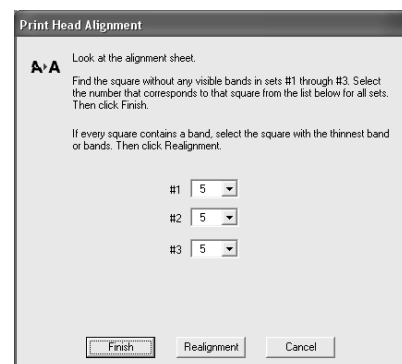
Manually Aligning the Print Head

1. Turn on the printer.
2. Load plain, letter-size paper.
3. Do one of the following:

Windows: Right-click the  icon on your taskbar (in the lower right corner of your screen). Select **Print Head Alignment**.

Mac OS X: Open the **Applications** folder and select **EPSON Printer Utility**. Select **SP R2400**, click **OK**, and select **Print Head Alignment**.

4. Click the **Manual** button, then click **OK**.



You see a screen like this as the printer prints an alignment check pattern:

5. On the check page, select the box in each pattern that has the least noticeable lines in it. You may need to use a magnifying glass or loupe.

Select one box for each pattern numbered 1 through 3. Then enter the box number for each pattern in the boxes on the screen.

If box #5 is *not* the best-aligned box in each pattern, click **Realignment** to print another test page and repeat this step.

6. When box #5 is the best-aligned in all the patterns, click **Finish**.

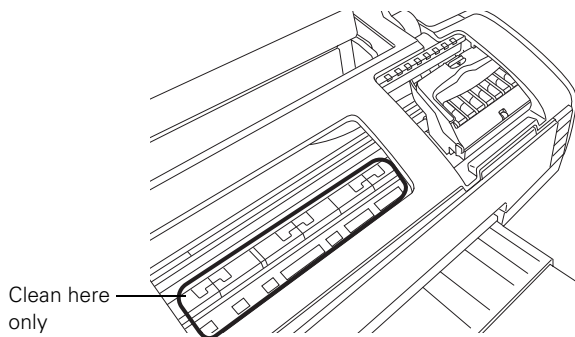
Cleaning the Printer

To keep your printer working at its best, you should clean it several times a year.

1. Turn off the printer, unplug the power cord, and disconnect the interface cable.
2. Remove all the paper, then use a soft brush to clean the paper feeders.

Epson Stylus Photo R2400

3. Clean the exterior of the printer with a soft, damp cloth. Keep the paper support and printer cover closed as you clean the printer.
4. If you need to clean ink out of the inside of the printer, use a soft cloth to clean only the black plastic area shown below:



WARNING: Don't touch the gears or rollers inside the printer.

Caution: Never use a hard or abrasive brush, or benzine, alcohol, or thinner for cleaning; they can damage the printer components and case.

Don't get water on the printer components and don't spray or apply lubricants or oils inside the printer.

Don't use any cleaning sheets included with special paper; they may jam inside the printer.

Caution: Be sure to remove the tape after installing the printer in its new location.

4. Remove any paper from the printer, then remove the roll paper holder, if it is installed.
5. Close the output tray and the paper support.
6. Repack the printer and its attachments in the original box using the protective materials that came with them.
7. Keep the printer level as you transport it.
8. After transporting the printer, remove all the tape.
9. Test your printer. If you notice a decline in print quality, clean the print head (see page 13); if output is misaligned, align the print head (see page 15).

Related Documentation

Epson Stylus Photo R2400 <i>Start Here</i> sheet	CPD-19427
Epson Stylus Photo R2400 <i>User's Guide</i>	CPD-19428
Epson Stylus Photo R2400 CD-ROM	CPD-19426
Epson Stylus Photo R2400 <i>Reference Guide</i> (on CD-ROM)	

Transporting the Printer

If you move your printer some distance, you need to prepare it for transportation in its original box or a similar one. Follow these steps:

1. Turn on the printer.
2. Turn off the printer and unplug the power cord from the electrical outlet. Then disconnect the printer cable from the printer.
3. Open the printer cover and tape the ink cartridge holder to the printer case using tape. Then close the printer cover.

