

Epson Stylus® Photo R800

Start Here



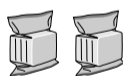
CPD-17408R1
4101374-00
XXX

1 Unpack

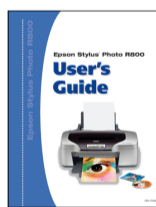
1 Remove everything from the box.



Printer



Ink cartridges
(8 individual)



User's Guide

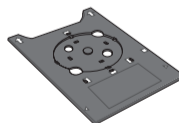


Printer Software
CD-ROM

See your *User's Guide* for instructions on installing and using these parts.



Roll paper
holders



CD tray



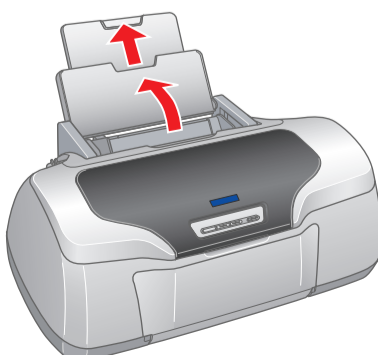
Mini-CD
ring



Print position
check disk

2 Remove all the blue tape and packing materials inside and around the printer.

3 Open the paper support and pull up its extension.





2 *Connect the Printer*

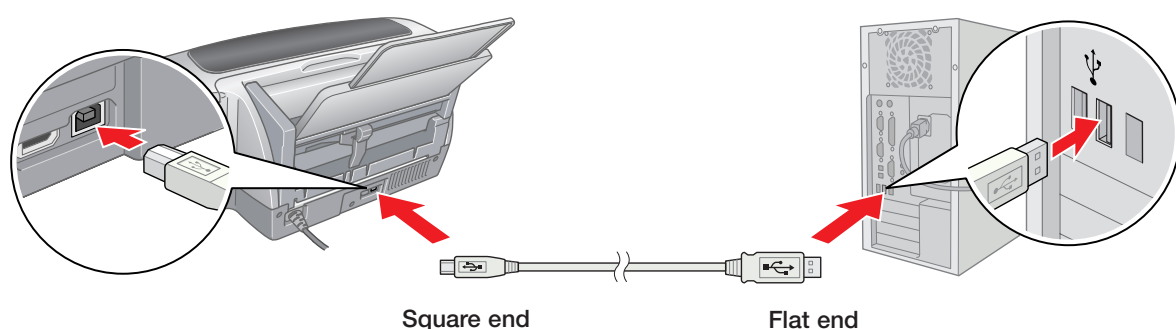
Connection cables are not included with your printer. You need **only one** of the following cables.

NOTE: Do not connect both cables.

- USB cable (preferably a Hi-Speed USB 2.0 cable for Windows® 2000 or XP) **or**
- IEEE-1394 or FireWire™ cable

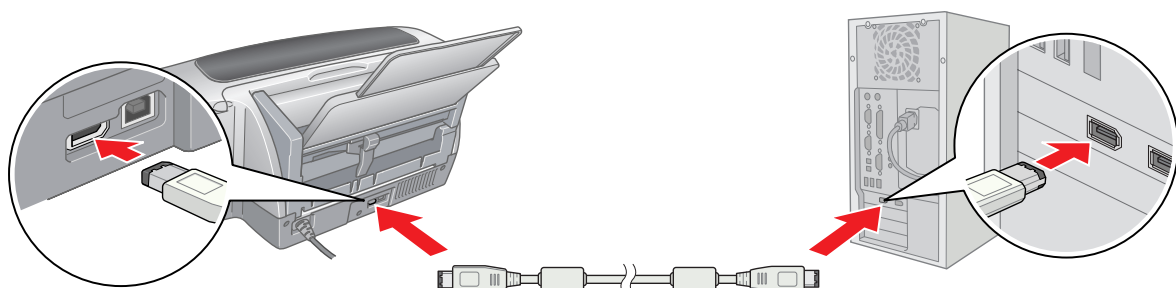
USB Cable Users

- 1** Shut down your computer.
Leave your computer turned off until section 6.
- 2** Plug the flat  end of the cable into your computer's USB port until it stops. (You can use any open USB port.) Don't force the connector into its slot.
- 3** Plug the square  end of the cable into your printer's **USB** port until it stops.



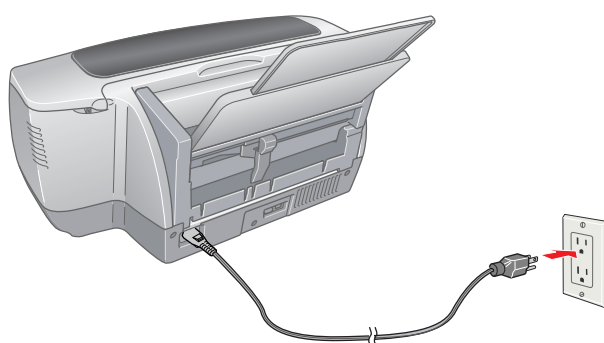
IEEE-1394 or FireWire Cable Users

- 1** Shut down your computer.
Leave your computer turned off until section 6.
- 2** Plug one end of the cable into your printer's **IEEE1394** port.
- 3** Plug the other end of the cable into your computer's IEEE-1394 port.



3 *Turn On the Printer*

- 1** Plug the printer's power cord into a grounded electrical outlet.



- 2** Press and hold the  power button and then release it to turn on the printer.

CAUTION: Never use an external switch, such as a wall switch or power strip switch, to turn the printer on or off.

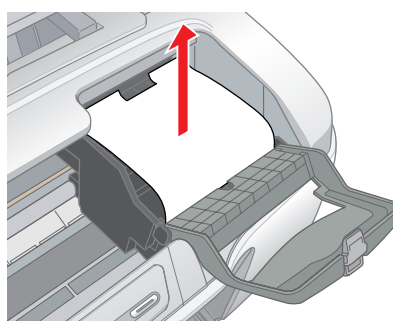
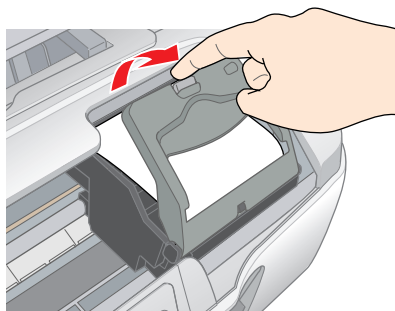
4 Install Ink Cartridges

CAUTION: Don't load paper before you install the ink cartridges so the paper doesn't interfere with ink charging.

- 1 Open the output tray, pull out its extensions, and open the printer cover.



- 2 Release and open the cartridge cover, then remove the protective sheet inside.

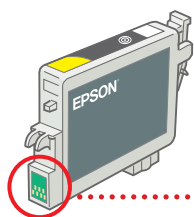


- 3 Shake the ink cartridge packages 4 or 5 times before opening them. (Don't shake them after they're unpacked.)



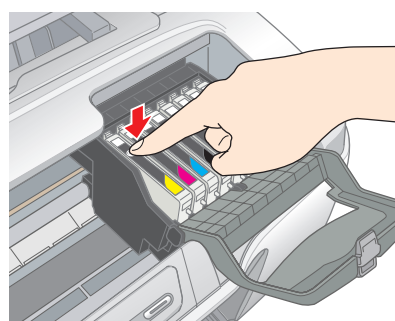
- 4 Remove the ink cartridges from their packages.

CAUTION: Don't remove any labels or seals from the cartridge.

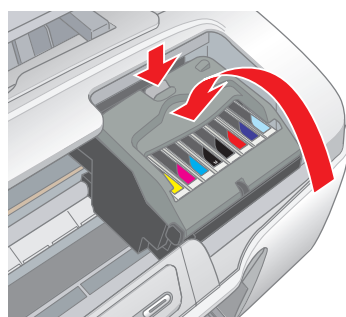


Don't touch the green part

- 5 Slide each cartridge individually into its slot with the green part facing the front.
Make sure the colors on the cartridges match the labels inside the cartridge cover.
Then push each one down until it clicks into place.

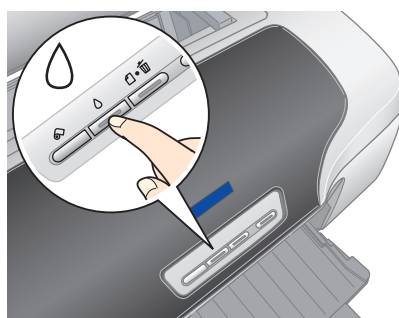


- 6 Close the cartridge cover and press it down until it clicks into place.



- 7 Close the printer cover, then press the Δ ink button.
The green O power and red Δ ink lights flash as your printer charges ink for about 2½ minutes.

CAUTION: Don't turn off the printer or interrupt charging, or you'll waste ink. If the O power and Δ ink lights don't turn off after 5 minutes, and the printer isn't making any noise, you can turn it off.



5 Load Paper

- 1 Fan your paper and place it against the right side of the sheet feeder (up to the arrow inside the edge guide).
- 2 Slide the left edge guide to fit lightly against the paper.



6 Install Software

Windows

Follow the steps below to install the software for your version of Windows.

Windows XP or 2000

- 1 Make sure your printer is connected and turned on. Then turn on your computer.
- 2 Wait for Windows to detect your printer and display a screen like this:

DON'T CLICK ANY BUTTONS ON THIS SCREEN YET.

*NOTE: If a screen like this doesn't appear, make sure your printer is turned on and connected. If you're using Windows XP, you may need to select **No**, not this time, then click **Next**.*

- 3 Put the Epson® CD-ROM in your CD-ROM or DVD-ROM drive.

Windows XP: Wait a few seconds for the CD-ROM to be recognized.

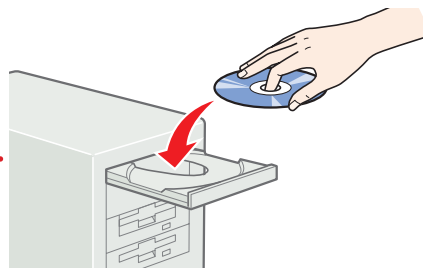
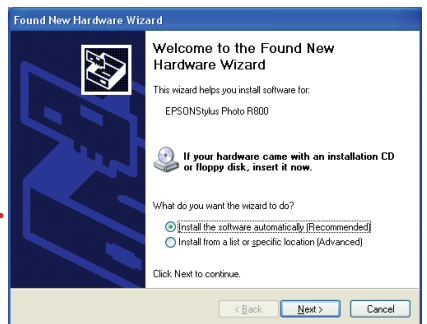
Windows 2000: Click **Next** and follow the on-screen instructions to install your software from the CD-ROM.

- 4 Your printer software installs automatically and various messages appear on the screen. At the final screen, click **Finish**.

- 5 When you see the license agreement, read and agree to it to continue the installation. You see the Options Menu:

- 6 Click **Install Optional Software**.

Now go to "Installing Optional Software" in the next column.



Windows 98SE or Me

- 1 Make sure your printer is connected and turned on. Then turn on your computer.
- 2 Wait for Windows to detect your printer and display a screen like this:

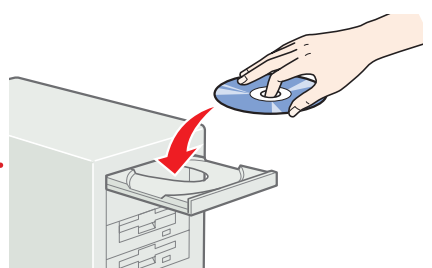
DON'T CLICK ANY BUTTONS ON THIS SCREEN YET.

NOTE: If a screen like this doesn't appear, make sure your printer is turned on and connected.

- 3 Put the Epson CD-ROM in your CD-ROM or DVD-ROM drive and wait a few seconds for the CD-ROM to be recognized.
- 4 Click **Next** on the Add New Hardware Wizard screen.

Windows 98SE: Go to step 5.

Windows Me: Go to step 8.

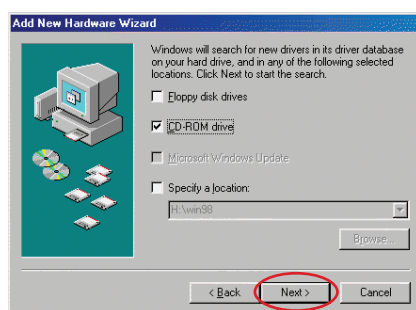


continued

5 Click the **Search for** option, then click **Next**.



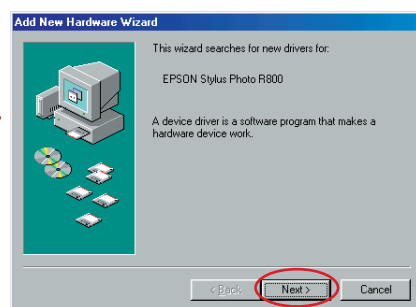
6 Click **CD-ROM drive**, then click **Next**. Make sure **Specify a location** is not checked.



7 At the next screen, click **Next**.

8 Installation proceeds automatically. When installation halts, click **Finish**.

Your computer detects your printer again and you see a screen like this:



9 Continue clicking **Next** or **Finish**. Installation proceeds automatically.

10 When you see the license agreement, read and agree to it to continue the installation. You see the Options Menu:



11 Click **Install Optional Software**.

Continue with the steps below to finish installing software.

Installing Optional Software

1 At the Optional Software menu, click the button for each program to learn more about it. To install the program, click **Install** and follow the on-screen instructions.

2 When you're finished, click **Back** to return to the Options Menu.

3 Click **View Online Photo Services**. Then click the button for each service to learn more about it and follow the on-screen instructions.

4 When you're finished, click **Back** to return to the Options Menu.

5 Click **Install Reference Guide** to install your on-screen printer manual.

6 Click **Exit** at the Options Menu. Register your printer with Epson as instructed. Remove the CD-ROM and keep it in case you need to reinstall any software later.



You're ready to print! See section 7 for further instructions.

Macintosh

1 Make sure your printer is turned on and connected. Then turn on your Macintosh®.

2 Put the Epson CD-ROM in your CD-ROM or DVD drive.

3 Double-click the **EPSON** CD-ROM icon on your desktop, if necessary, then double-click the **EPSON** installer icon in the window that opens.

4 Read and agree to the license agreement to continue the installation.

5 Click **Install Printer Driver** and follow the on-screen instructions to install the software and restart your Macintosh.

6 After your Macintosh restarts, double-click the **EPSON** CD-ROM icon on your desktop, if necessary, then double-click the **EPSON** installer icon.



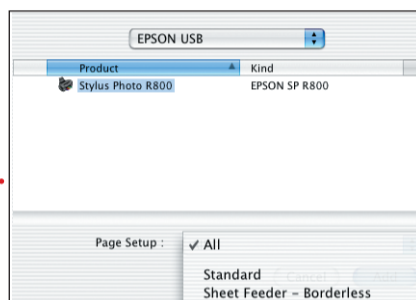
- 7** Click **Install Optional Software**.
- 8** Click the button for each program to learn more about it. To install the program, click **Install** and follow the on-screen instructions.
- 9** When you're finished, click **Back** to return to the Install Menu.
- 10** Click **View Online Photo Services**. Then click the button for each service to learn more about it and follow the on-screen instructions.
- 11** When you're finished, click **Back** to return to the Install Menu.
- 12** Click **Install Reference Guide** to install your on-screen printer manual.
- 13** Click **Exit** at the Install Menu. Register your printer with Epson as instructed. Remove the CD-ROM and keep it in case you need to reinstall any software later.
- 14 OS X users:** If you want to print from Classic applications, start your Macintosh in OS 9 and repeat steps 2 through 13.

Selecting Your Printer in OS X

- 1** Open the OS X **Applications** folder, then open the **Utilities** folder and select **Print Center** or **Printer Setup Utility**. If necessary, click **Add**. If you don't see your printer name listed on the screen, make sure it is turned on and connected.
- 2** Click **Stylus Photo R800**, then click the **Add** button.
- 3** On the next screen, select **EPSON USB** or **EPSON FireWire** from the pull-down menu depending on the connection you used.

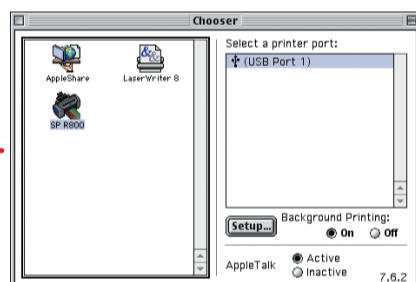
*NOTE: If you see a new driver detection screen, click **OK**.*

- 4** Click **Stylus Photo R800**, select **All** from the Page Setup menu, and click the **Add** button.
- 5** You see all your printer features listed in the Printer List. Close Print Center or the Printer Setup Utility.



Selecting Your Printer in OS 8.6 to 9.2.x

- 1** Open the Chooser from the Apple menu.
- 2** Click **SP R800**, then click your **USB** or **FireWire** port.
- 3** Turn on background printing.
- 4** Close the Chooser.



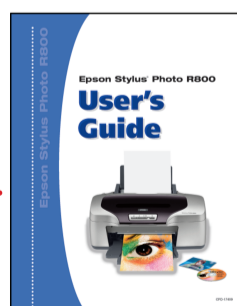
You're ready to print! See the next section for further instructions.

7 Print

Now you're ready to print. For instructions, use these resources:

- Your **Printer Basics** book

Learn about loading paper, printing photos and CDs, maintaining your printer, solving problems, and contacting Epson.



- The printer's **Reference Guide**

Click **SPR800 Reference Guide** on your desktop to view detailed information about your printer.

