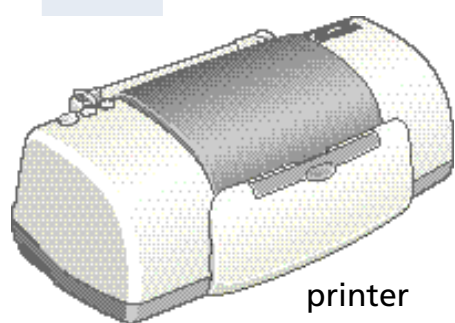


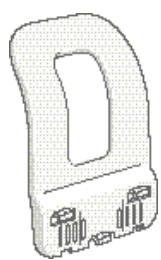
EPSON Stylus® C60 Start Here

1 Unpack

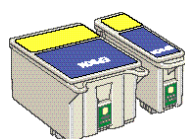
- 1 Remove everything from the box.



printer



paper support



ink cartridges

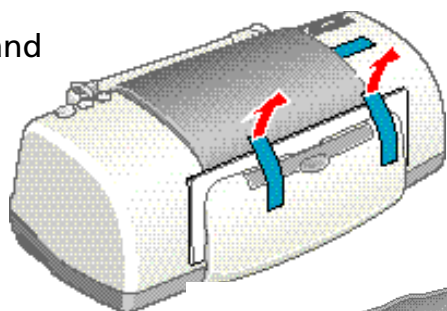


CD-ROM

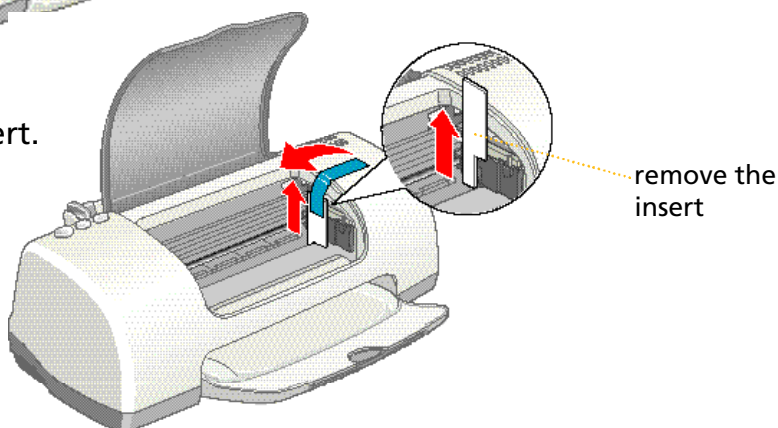


Printer Basics

- 2 Remove all the tape and packing material.

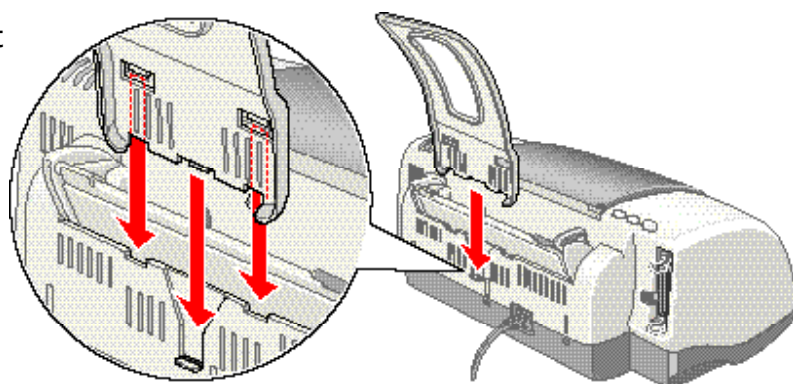


- 3 Peel off tape and remove the insert.



remove the insert

- 4 Fit the paper support into its three slots.





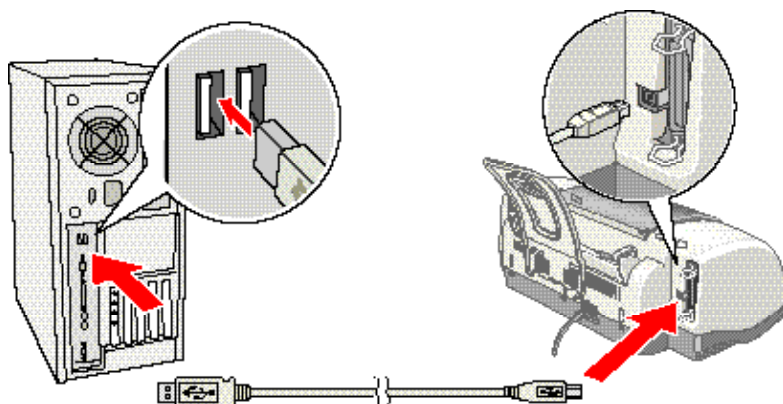
2 Connect the Printer

Connect the printer to your computer using either a USB cable or parallel cable. **Don't connect both cables; you only need one or the other.** Follow the instructions in the appropriate section below.

If You Have a USB Port

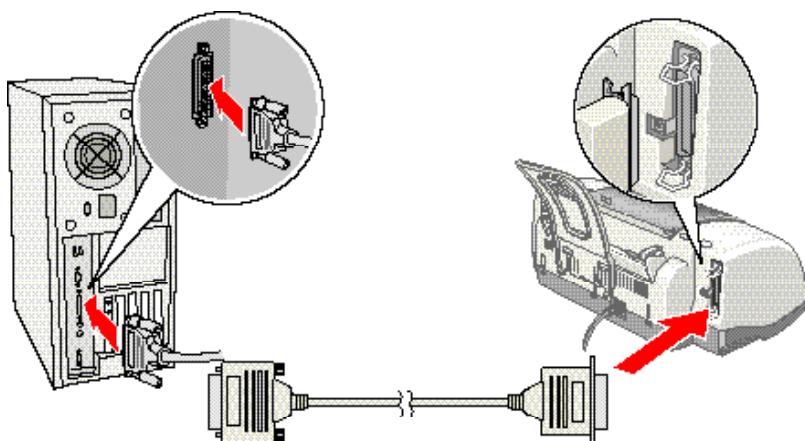
(Does not support Windows® 95.)

- 1 Make sure the printer and computer are turned off.
- 2 Connect the  square end of the USB cable to your printer's USB port.
- 3 Connect the  flat end of the cable to any available USB port on your computer.




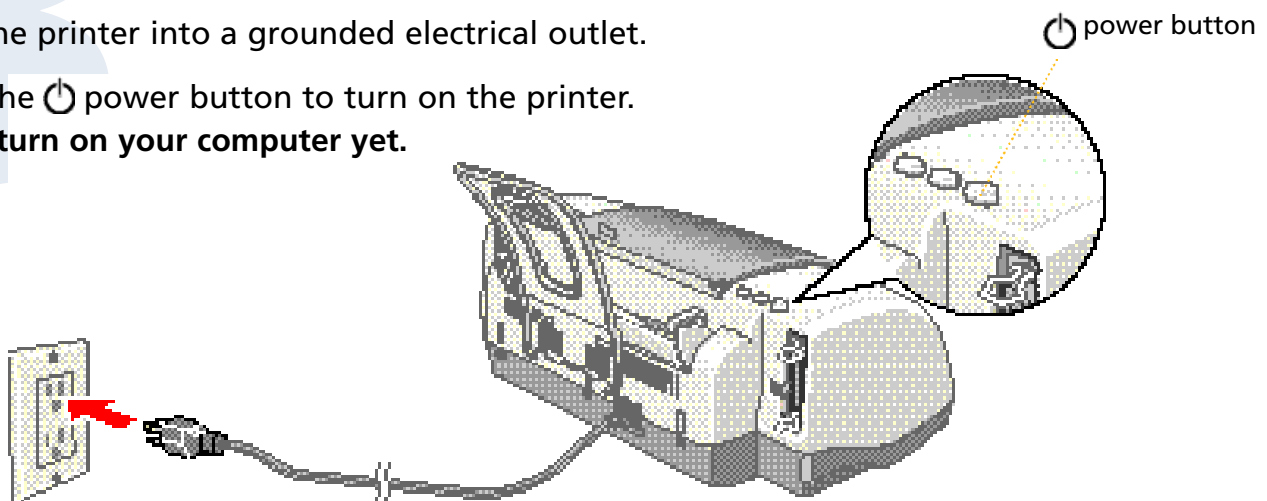
If You Have a PC Parallel Port


- 1 Make sure the printer and computer are turned off.
- 2 Connect the larger end of the parallel cable to your printer's parallel port. Then secure it with the wire clips.
- 3 Connect the other end of the cable to your computer's parallel port and secure it as necessary.



3 Power On

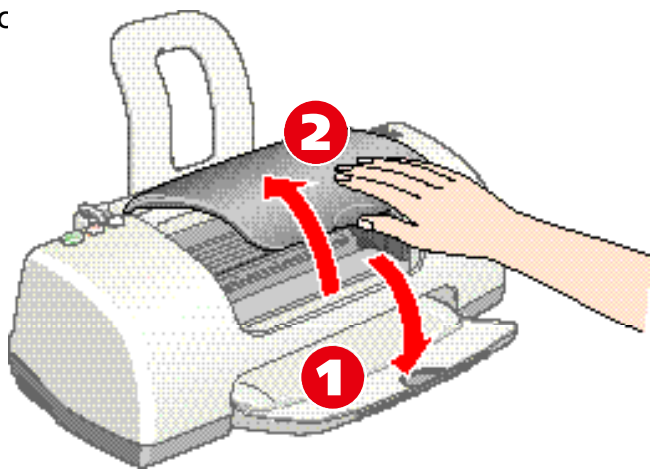
- 1 Plug the printer into a grounded electrical outlet.
- 2 Press the  power button to turn on the printer. Don't turn on your computer yet.



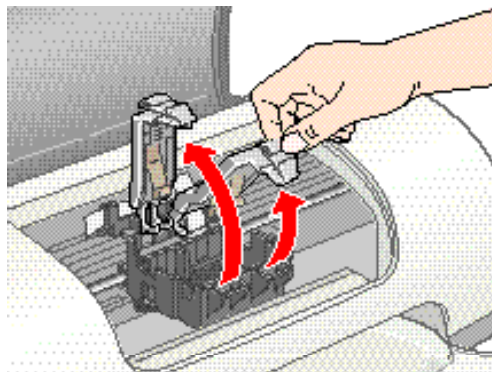
CAUTION Don't use an outlet controlled by a wall switch or timer. Never use a power strip switch to turn the printer on or off; use only the printer's  power button.

4 Load Ink

- 1 Open the output tray and raise the printer cover.

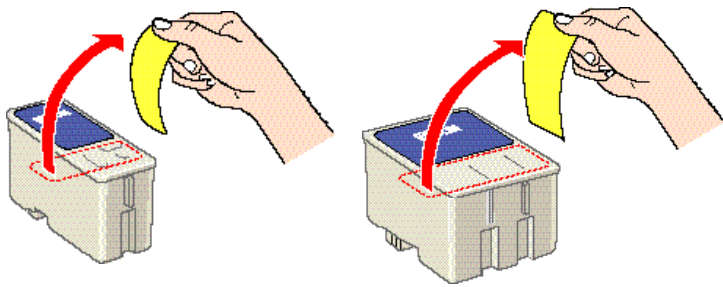


- 2 Lift up the ink cartridge clamps.



CAUTION You must install both cartridges or the printer won't work.

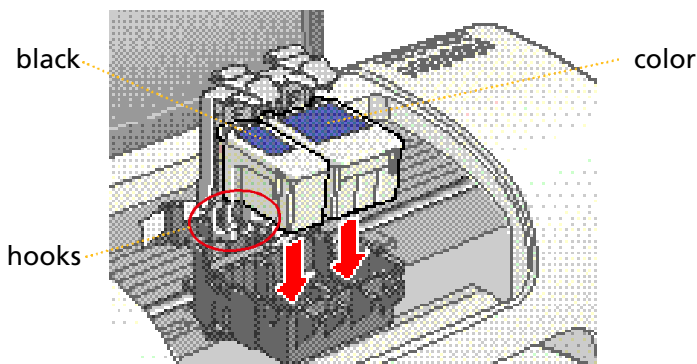
- 3 Unpack the ink cartridges that came with your printer and remove the yellow tape.



CAUTION Don't remove the seals from the bottom of the cartridges; ink will leak out.

Keep cartridges out of the reach of children.



- 4 Tilt each cartridge toward you as you lower it. Make sure the tabs rest on the hooks.




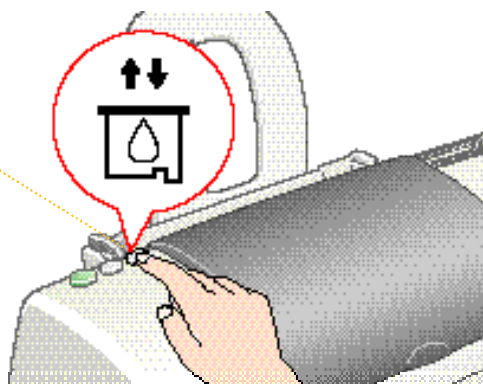
CAUTION Don't place the cartridge tabs under the hooks, or you may damage the clamp when you close it.





- 5 Lower the clamps so they snap shut.

- 6 Press the  ink replacement button and close the printer cover. You see the green  power light flash and you hear the printer make noise.

 ink replacement button

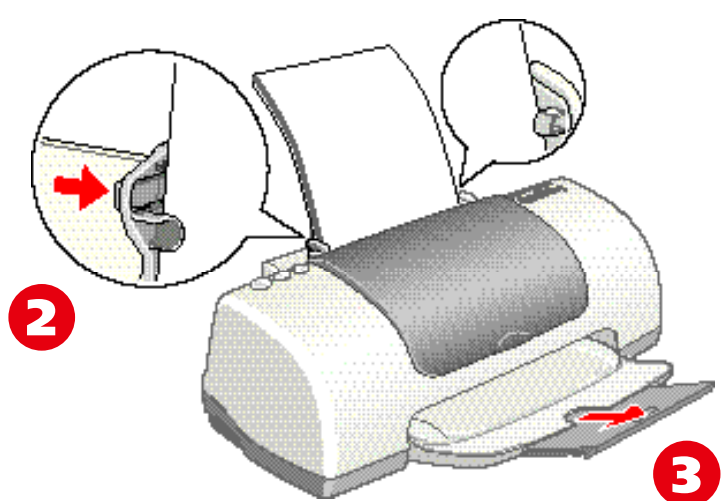


CAUTION Don't turn off the printer or interrupt ink charging while the  power light is flashing or you'll use up more ink than necessary when you turn it back on.

- 7 Wait until ink charging is finished (the green  power light stops flashing).

5 Load Paper

- 1 Load some paper behind the tabs inside the edge guides.
- 2 Press in the locking tab on the left edge guide and slide it to the edge of the paper stack.
- 3 Pull out the output tray extension.



6 Install Software

If you're using Windows®, check to see which version you have. Then follow the right set of instructions for your system.

Windows 95, 98, Me, and 2000

Your computer may have the EPSON printer software already installed. **Make sure the printer is turned on, then turn on your computer.**

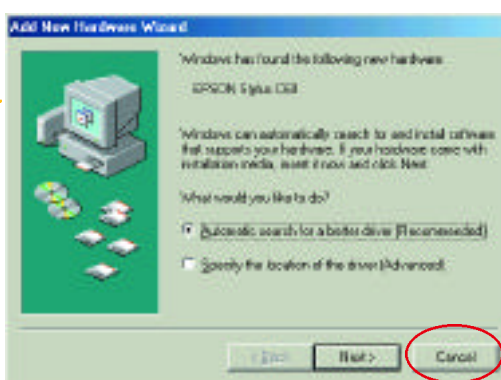
If you see this message

Your software is already installed. Click **OK**. You're ready to start printing! Or, go to section 7 to install optional programs.



If you see this screen

Click **Cancel**. Then follow the steps below to install the printer software:



- 1 When you see the Windows icons on your monitor, put the EPSON CD-ROM in your CD-ROM or DVD drive.
 - 2 Double-click **My Computer**, double-click **EPSON**, then double-click **EPSON**.
 - 3 Read the license agreement and click **Agree**.
 - 4 At the Main Menu, click **Install Printer Driver**. The files are copied to your computer.
 - 5 If you see a screen asking you to turn on the printer, make sure the printer is connected and turned on. Wait a minute until the screen disappears. Do **not** click **Stop searching**. More files are copied.
 - 6 When setup is complete, click **OK**. The EPSON Product Registration screen appears.
 - 7 Register your printer as instructed. At the last screen, click **Done** or close your browser.
- Now you're ready to install optional programs. Go to section 7.



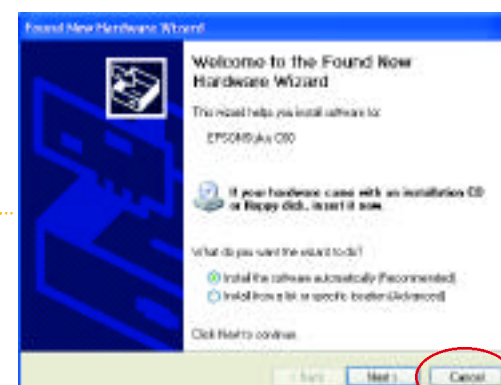
Windows XP

Your computer may have the EPSON printer software already installed. **Make sure the printer is turned on, then turn on your computer.**

If you see a message that **your new hardware is installed and ready**, you can start printing right away. Or, go to section 7 to install optional programs.

If you see this screen

Click **Cancel**. Then follow the steps below to install the printer software:





- 1 When you see the Windows icons on your monitor, put the EPSON CD-ROM in your CD-ROM or DVD drive.
 - 2 If you see a screen asking **What do you want Windows to do?**, click **Cancel**.
 - 3 Click **Start**, click **My Computer**, double-click **EPSON**, then double-click **EPSON**.
 - 4 Read the license agreement and click **Agree**.
 - 5 At the Main Menu, click **Install Printer Driver**. Wait while the files are copied to your computer.
 - 6 If you see this screen, make sure the printer is connected and turned on, then click **Stop searching**. More files are copied.
 - 7 When you see a message that setup is complete or the printer port has been set, click **OK**. The EPSON Product Registration screen appears.
 - 8 Register your printer as instructed. At the last screen, click **Done** or close your browser.
- Now you're ready to install optional programs. Go to section 7.



Macintosh


Make sure the printer is turned on, then turn on your Macintosh.

- 1 When you see your Macintosh icons, put the EPSON CD-ROM in your CD-ROM or DVD drive.
- 2 Double-click the  EPSON CD-ROM icon, then double-click the  EPSON icon.
- 3 Read the license agreement and click **Agree**.
- 4 At the Main Menu, click **Install Printer Driver**.
- 5 At the installer screen, click **Install**; then click **Continue** on the next screen. The files are copied to your Macintosh.
- 6 Select your default paper size, then click **Restart**. After your Macintosh restarts, you see the EPSON Registration screen.
- 7 Register your printer as instructed.
- 8 Open the **Chooser**, click the **C60 Series** icon, click your USB port, and turn on background printing.
- 9 Close the **Chooser**.

Now you're ready to install optional programs.
Go to section 7.



7 Install Optional Programs

- 1 After you register your printer, you see the Main Menu. If you don't see the Main Menu, open your CD-ROM window, then double-click the  EPSON icon.
- 2 Click **Install EPSON Film Factory**. You see this screen:
- 3 Click **Install**, then follow the instructions on the screen. When installation is complete, close any open windows, then click **Back** to return to the Main Menu.
- 4 Click **Install Printer Movies and Manual** and follow the instructions on the screen. When installation is complete, click **Exit** or **Quit** to return to the Main Menu.
- 5 Click **Share Photos Online at EPSON PhotoCenter**. You see this screen:
- 6 If you want to place a link to the EPSON PhotoCenterSM website on your desktop, click **Add Icon**. Click **OK**, then click **Back** to return to the Main Menu.
- 7 Click **Exit**, then remove the CD-ROM.



8 Print

Now that you've set up your printer, you're ready to print. See your *Printer Basics* book for instructions.

Or, double-click the  EPSON Printer Information Center icon on your desktop (installed in section 7). You see this screen:

Click **Reference Guide** to view detailed information about your printer. Click **Print Show** to view helpful animations that show you how to print, load paper and ink, and solve basic problems.



EPSON and EPSON Stylus are registered trademarks of SEIKO EPSON CORPORATION.

EPSON PhotoCenter is a service mark of Epson America, Inc.

General Notice: Other product names used herein are for identification purposes only and may be trademarks of their respective owners. EPSON disclaims any and all rights in those marks.

Copyright © 2001 by Epson America, Inc.

Printed on recycled paper. 9/01

Printed in USA
CPD-12569R2
4014103-00