

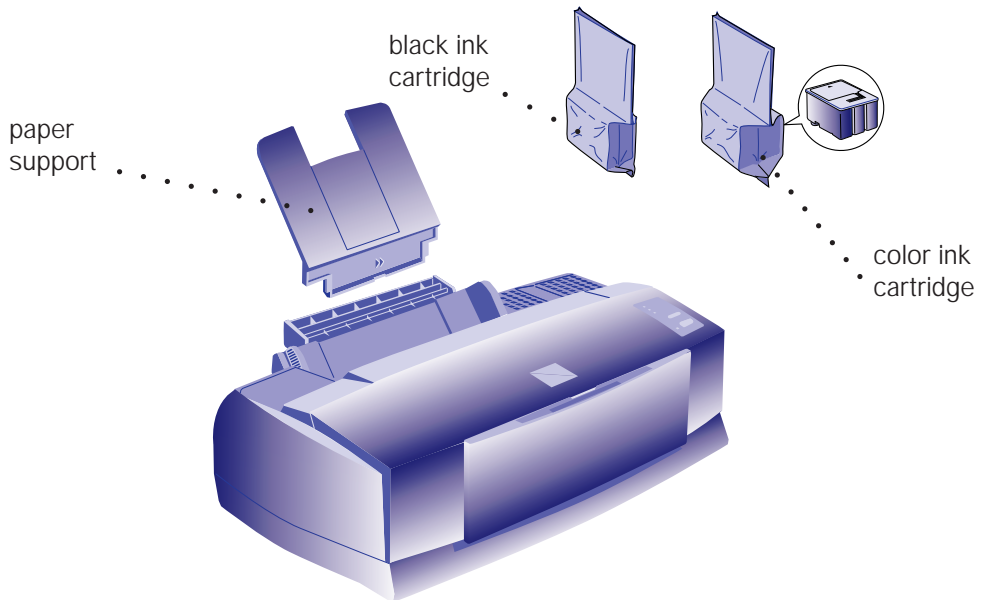
# Quick Setup



Here's how to set up your new EPSON® printer ...

## Unpack the Printer

Remove any packing material from the printer, as described on the Notice Sheet in the box. Save all the packaging so you can use it if you need to transport the printer later. You'll find these items inside:



Place the printer flat on a stable desk near a grounded outlet. Leave plenty of room in back for the cables and enough room in front for opening the output tray.

### **Do NOT put the printer:**

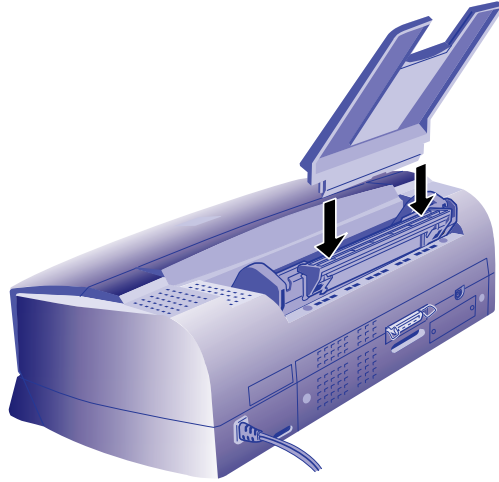
- In an area with high temperature or humidity
- In direct sunlight or dusty conditions
- Near sources of heat or electromagnetic interference, such as loudspeakers or cordless telephone base units.

Also, be sure to follow the Safety Instructions in the Introduction of your *User's Guide*.

# 2


## Attach the Paper Support

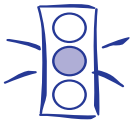
Insert the paper support in the top slot on the back of the printer.



# 3

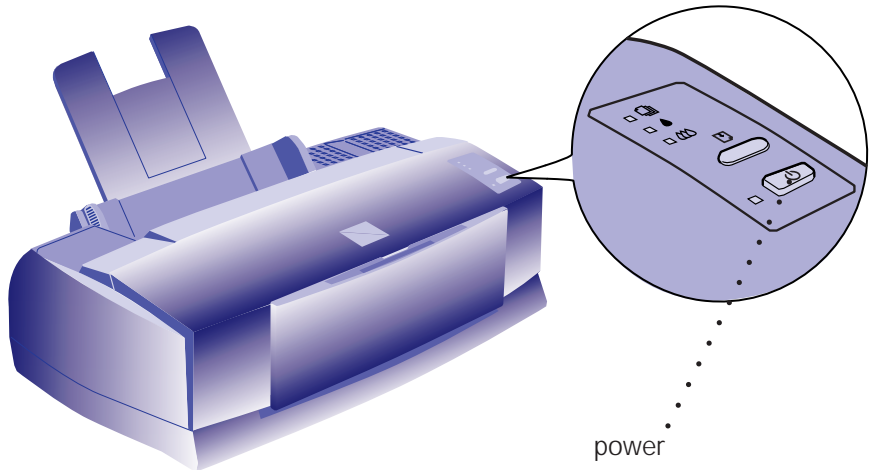
## Plug In the Printer

First make sure the power is off. Check the  power button; it's off when its surface is raised above the printer surface.



### Caution:

Do not plug the printer into an outlet controlled by a wall switch or timer, or on the same circuit as a large appliance. This may disrupt the power, which can erase memory and damage the power supply.

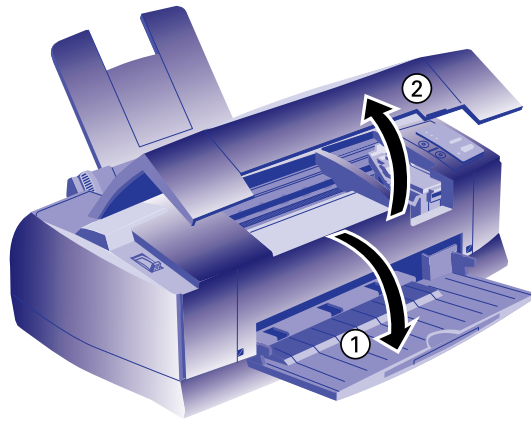




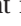

Plug the power cord into a properly grounded outlet.

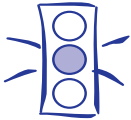


## Install the Ink Cartridges

1. Lower the output tray and raise the printer cover.

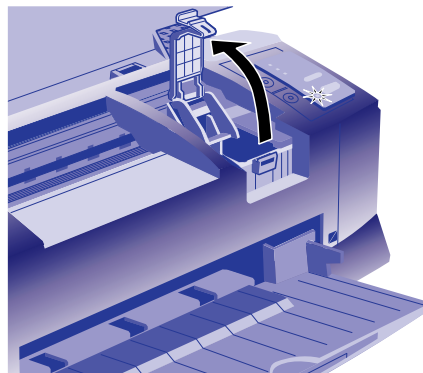


2. Press the  power button to turn on the printer. The  power light flashes, the  and  ink out lights come on, and the ink cartridge holders move to the left.
3. Lift up the black ink cartridge clamp.



### Caution:

You must remove the tape seal from the top of the cartridge or you will permanently damage it. Don't remove the tape seal from the bottom or ink will leak.



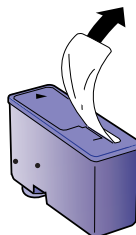
4. Open the black ink cartridge package. Remove the yellow tape seal on top.



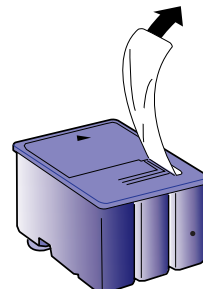
### Warning:

If ink gets on your hands, wash them thoroughly with soap and water. If ink gets in your eyes, flush them immediately with water.

black ink cartridge . . .



color ink cartridge . . . . .

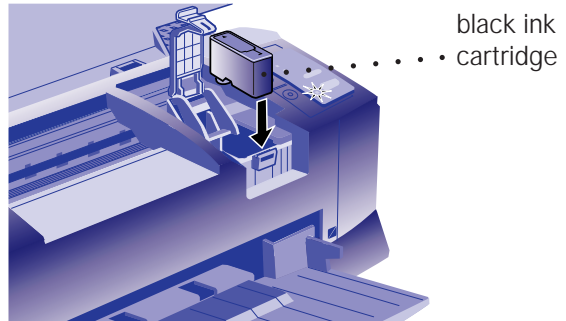


- Lower the ink cartridge into the holder with the label face up and the arrow pointing toward the back of the printer.

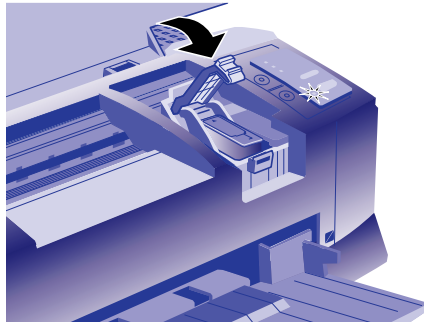



**Caution:**

If the ink cartridge holders move back to the right before you start the installation process, don't try to move them by hand. Press the  black cleaning button and hold it down for 3 seconds. This moves the ink cartridge holders back to the loading position.



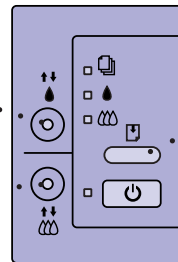
- Push down the clamp until it locks in place.



- Press the  color cleaning button. The print heads move to the left again so you can install the color ink cartridge.

black  
cleaning  
button

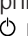
color  
cleaning  
button





load/eject  
button



**Caution:**

Never turn off the printer when the  power light is flashing.

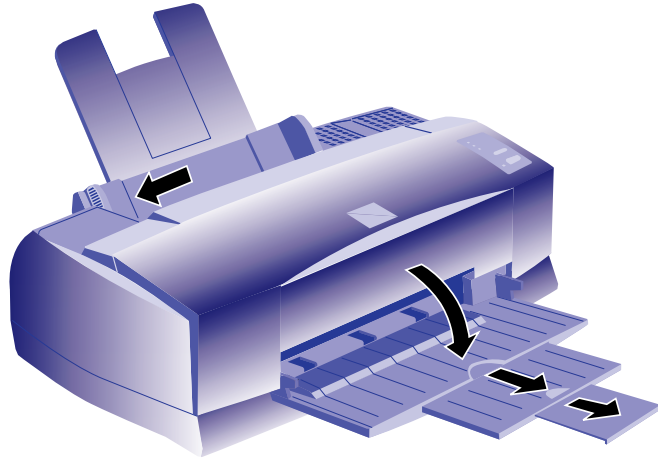
- Follow steps 3 through 6 to install the color ink cartridge.
- Press the  load/eject button.

The printer moves the print heads and begins charging the ink delivery system. The  power light flashes, and the printer makes various sounds. Charging can take up to seven minutes. When it's finished, you can close the printer cover.

# 5

## Load the Paper

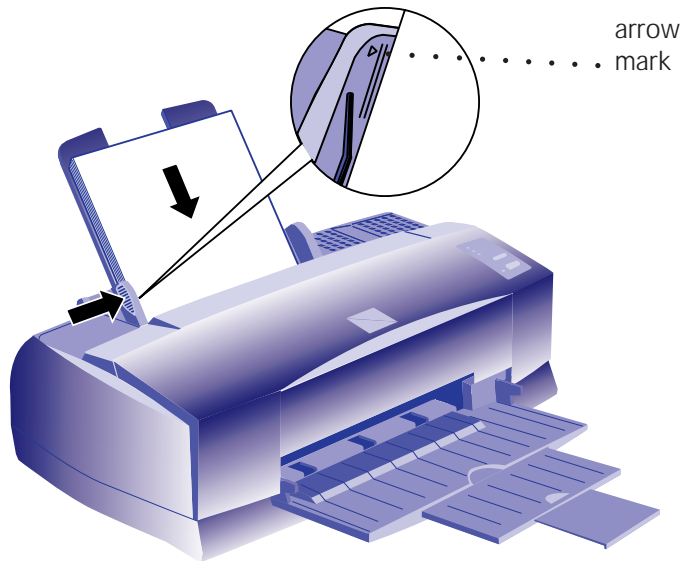
1. Slide the left edge guide all the way left and pull out the output tray extensions.



2. Fan a stack of plain paper and then even the edges.
3. Load the stack with the printable surface face up. Push the paper against the right edge guide.






Note:  
Don't load paper above  
the arrow mark inside the  
left edge guide.



4. Slide the left edge guide back against the stack of paper.

# 6

## Check the Printer

1. Turn off the printer.
2. Press the  load/eject button and hold it down while you press the  power button. Continue to hold the buttons until the  power light starts to flash.

Pages showing a nozzle check pattern and samples of fonts and colors begin to print.

3. Turn off the printer to end the test. If you have any problems with the test, see Chapter 6 in your *User's Guide* for more information.

# 7

## Connect the Printer to Your Computer

You can connect your EPSON Stylus™ COLOR 800 to either an IBM®-compatible PC or an Apple® Macintosh®. You'll need a shielded, twisted-pair parallel cable to connect to a PC or an Apple System Peripheral-8 cable to connect to a Macintosh. For a complete list of system requirements, see the Introduction of your printer *User's Guide*.

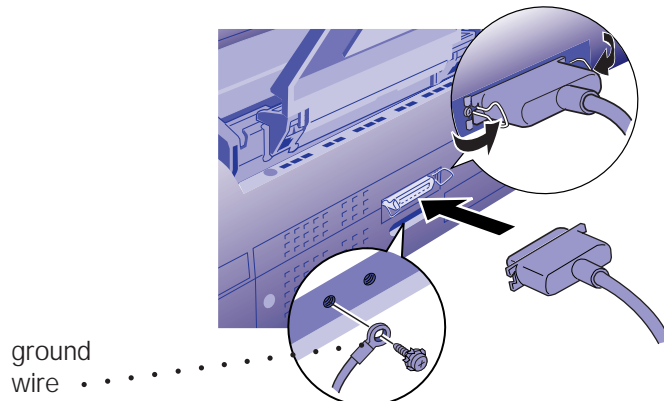


### Note:

The printer is assigned to parallel port LPT1; if you want to use a different port, see your Windows documentation for instructions.

## Connecting to a PC

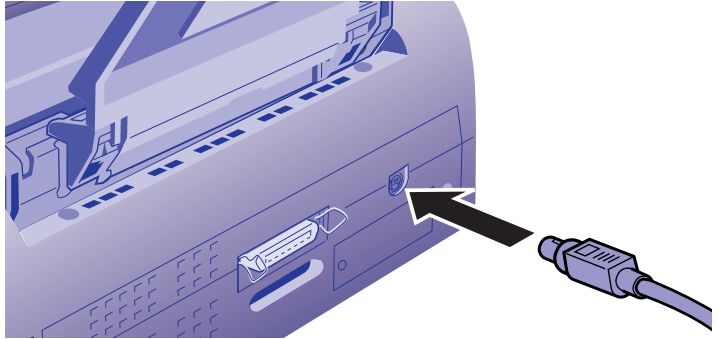
1. Turn off the printer and your computer.
2. Connect the cable to the printer's parallel interface; then squeeze the wire clips together until they lock in place. (If your cable has a ground wire, connect it now.)




3. Connect the other end of the cable to your computer's parallel port and secure it as necessary.

## Connecting to a Macintosh

1. Turn off the printer and your Macintosh.
2. Connect one end of the cable to the serial connector on the back of the printer.



3. Connect the other end of the cable to either the modem port  or the printer port  on your Macintosh.

# 8

## Install the Printer Software

Now you need to install the printer software so you can control printing from your computer. You must install the software for the printer to work correctly. See the instructions included with your EPSON printer software CD-ROM or diskettes.



### Note:

If you want to use your printer on a network, you need to follow special setup procedures. See your *User's Guide* for more information.



## See Your EPSON Documentation

Your EPSON Stylus COLOR 800 *User's Guide* tells you how to:

- print everything from a memo to a glossy photo
- use your printer software to fine-tune your printouts
- keep your printer working at its best
- solve any problems you may have

You can also access EPSON's convenient online help from the printer software to get quick information while you're printing.