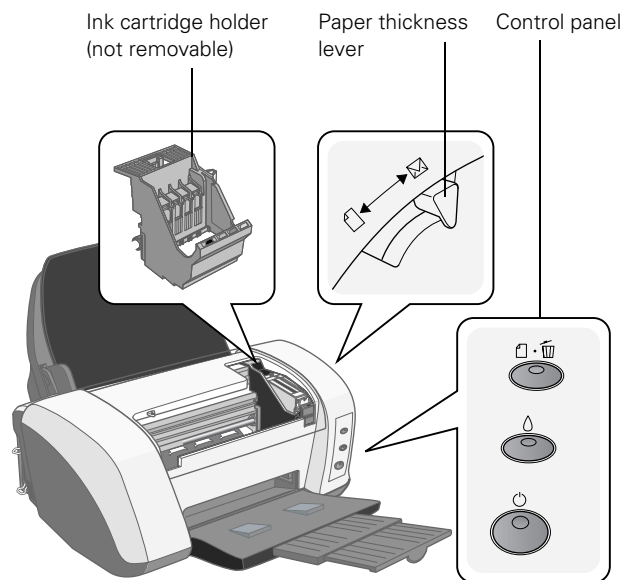
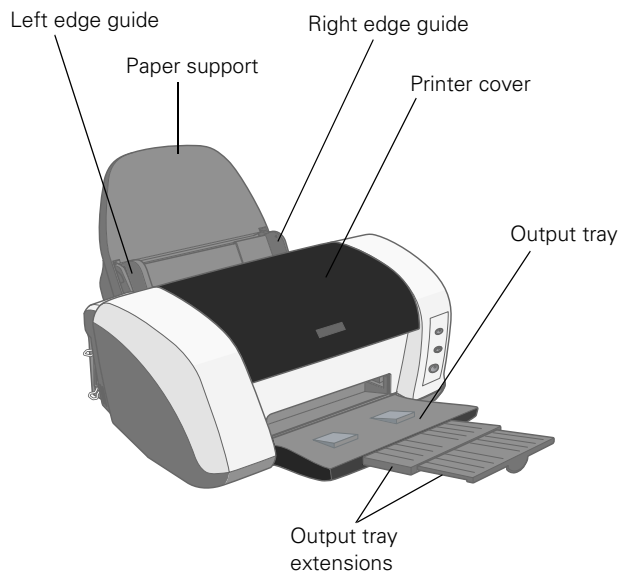


## Printer Parts



## Accessories

### Ink Cartridges

Cartridge	Part number
Black	T032120
Cyan	T042220
Magenta	T042320
Yellow	T042420

### User Replaceable Part

Part name	Reference number	Part number
Paper support	105	1112358

### Media

EPSON paper name	Size	Part number
Premium Bright White Paper	Letter	S041586
Photo Quality Ink Jet Paper	Letter	S041062
	A4	S041061
	Legal	S041067
Glossy Photo Paper (Photo Paper)	Letter	S041141 (20)/ S041649 (50)/ S041271 (100)/ S041272 (500)
		A4
	4 × 6 inches (perforated edge)	S041134 (20)/ S041671 (50)
	Photo Quality Ink Jet Cards	A6
Ink Jet Transparencies	Letter	S041064
Matte Paper Heavyweight	Letter	S041257
Enhanced Matte Paper (Archival Matte Paper)	Letter	S041341
Double-Sided Matte Paper	Letter	S041568
Premium Semigloss Photo Paper	Letter	S041331
Glossy Photo Greeting Cards	Letter	S041606
All Purpose Glossy Paper	Letter	S041654

## Printer Specifications

### Printing

Printing method On-demand ink jet

Nozzle configuration

Black 180 nozzles  
 Color 177 nozzles (59 each: cyan, magenta, yellow)

Print direction Bidirectional with logic seeking

Input buffer 32KB

### Mechanical

Paper feed method Friction

Paper path Sheet feeder, top entry, front out

Sheet feeder capacity 150 sheets of 17 lb (65.8 g/m<sup>2</sup>) paper

Dimensions

Storage Width: 18.5 inches (470 mm)  
 Depth: 11.9 inches (301 mm)  
 Height: 9.3 inches (237 mm)

Printing Width: 18.5 inches (470 mm)  
 Depth: 23.3 inches (593 mm)  
 Height: 12.4 inches (316 mm)

Weight 11.5 lb (5.2 kg) without the ink cartridges; 11.8 lb (5.4 kg) with ink cartridges

### Electrical

Specification	120 V Model	220–240 V Model
Input voltage range*	99 to 132 V	198 to 264 V
Rated frequency range	50 to 60 Hz	
Input frequency range	49.5 to 60.5 Hz	
Rated current	0.4 A (Max. 1.3 A)	0.2 A (Max. 0.7 A)
Power consumption	Approx. 15 W (ISO 10561 Letter Pattern) Approx. 3.5 W in standby mode Approx. 0.35 W in power-off mode	Approx. 15 W (ISO 10561 Letter Pattern) Approx. 3.5 W in standby mode Approx. 0.5 W in power-off mode

\* Check the label on the back of the printer for your printer's voltage.

## Environmental

Temperature

Operation 50 to 95 °F (10 to 35 °C)  
 Storage\* –4 to 104 °F (–20 to 40 °C)  
 1 month at 104 °F (40 °C)  
 Transit\* –4 to 140 °F (–20 to 60 °C)  
 120 hours at 140 °F (60 °C)

Humidity (without condensation)

Operation 20 to 80% RH  
 Storage\* 5 to 85% RH

\*Stored in shipping container

## Safety Approvals

Safety standards UL 1950, CSA C22.2 No. 950

EMC FCC part 15 subpart B class B  
 CSA C108.8 Class B

## Ink Cartridges

Specification	Black ink cartridge (T032120)	Color ink cartridges (T042220, T042320, T042420)
Color(s)	Black	Cyan, Magenta, Yellow
Print capacity*	1240 pages (A4, ISO/IEC 10561 Letter pattern at 360 dpi, 3.5% duty); 870 pages (A4 at 360 dpi, 5% duty)	420 pages (A4, 360 dpi, 5% duty each color)
Cartridge life	2 years from production date (if unopened); within 6 months after opening package, at 77 °F (25 °C)	
Storage temperature	–4 to 104 °F (–20 to 40 °C) 1 month at 104 °F (40 °C)	
Transit temperature	–22 to 140 °F (–30 to 60 °C) 1 month at 104 °F (40 °C) 120 hours at 140 °F (60 °C)	
Freezing temperature**	3.2 °F (–16 °C)	–0.4 °F (–18 °C)
Dimensions	0.87 × 2.8 × 2.62 inches (W × D × H) 22 × 71.2 × 66.5 mm (W × D × H)	0.5 × 2.8 × 2.62 inches (W × D × H) 12.7 × 71.2 × 66.5 mm (W × D × H)

\* The figure given is based on continuous printing after ink replacement. The actual print capacity may vary. The ink charging process reduces the print capacity of the initial cartridge, even though it contains the standard amount of ink.

\*\* Ink thaws and is usable after approximately 3 hours at 77 °F (25 °C).

**Caution:** To ensure good results, use genuine EPSON cartridges and do not refill them. Other products may cause damage to the printer not covered by EPSON's warranty. Don't use an ink cartridge if the date on the package has expired.

## Paper

Media type	Size	Paper types	Thickness	Weight
Single sheets	Letter (8.5 × 11 inches) Legal (8.5 × 14 inches) Half letter (statement, 5.5 × 8.5 inches) Executive (7.5 × 10 inches) A4 (210 × 297 mm) A5 (148 × 210 mm) A6 (105 × 148 mm)	Plain bond paper	0.003 to 0.004 inch (0.08 to 0.11 mm)	17 to 24 lb (64 to 90 g/m <sup>2</sup> )
Transparencies	Letter (8.5 × 11 inches)	Transparencies distributed by EPSON	—	—
Heavyweight Matte Paper Double-Sided Matte Paper Enhanced (Archival) Matte Paper	Letter (8.5 × 11 inches)	Heavyweight, Double-Sided, and Enhanced (Archival) Matte paper distributed by EPSON	—	—
Envelopes	No. 10, 4.1 × 9.5 inches (104 × 241 mm) DL, 4.3 × 8.7 inches (110 × 220 mm) C6, 4.4 × 6.4 inches (114 × 162 mm) 132 × 220 mm (5.2 × 8.7 inches)	Plain bond paper or air mail paper	0.006 to 0.02 inch (0.16 to 0.52 mm)	20 to 24 lb (75 to 90 g/m <sup>2</sup> )
Photo Quality Ink Jet Paper	Letter (8.5 × 11 inches) Legal (8.5 × 14 inches) A4 (210 × 297 mm)	Photo Quality Ink Jet Paper distributed by EPSON	—	—
Ink jet cards	A6 (105 × 148 mm)	Ink jet cards distributed by EPSON	—	—
Premium Bright White Paper	Letter (8.5 × 11 inches)	Premium Bright White Paper distributed by EPSON	—	—
Glossy Photo Paper (Photo Paper)	Letter (8.5 × 11 inches) A4 (210 × 297 mm) 4 × 6 inches	Glossy Photo Paper (Photo Paper) distributed by EPSON	—	—
Premium Semigloss Photo Paper	Letter (8.5 × 11 inches)	Premium Semigloss Photo Paper distributed by EPSON	—	—

**Note:** Always load paper into the sheet feeder short edge first.

Since the quality of any particular brand or type of paper may be changed by the manufacturer at any time, EPSON cannot attest to the quality of any non-EPSON brand or type of paper. Always test samples of paper stock before purchasing large quantities or printing large jobs.

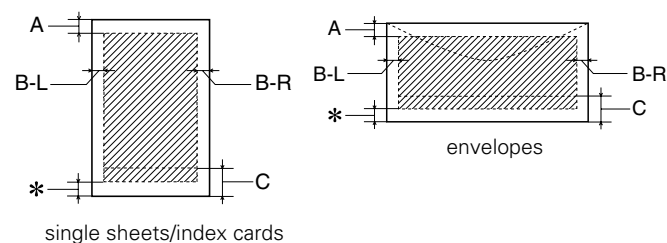
Poor quality paper may reduce print quality and cause paper jams and other problems. If you encounter problems, switch to a higher grade of paper.

Do not load curled or folded paper.

Use papers under these conditions:

Temperature: 59 to 77 °F (15 to 25 °C)  
Humidity: 40 to 60% RH

### Printable area



A: The minimum top margin is 0.12 inch (3 mm).

B-L: The minimum left margin is 0.12 inch (3 mm).

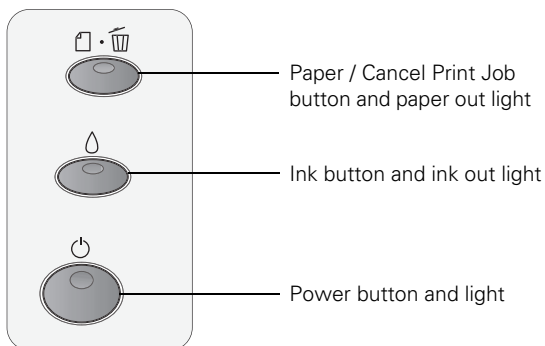
B-R: The minimum right margin is 0.12 inch (3 mm)

C: The minimum bottom margin is 0.54 inch (14 mm) for single sheets (including panoramic size) and ink jet cards, and 0.78 inch (20 mm) for envelopes.

\* You can extend the minimum bottom margin to 0.12 inch (3.0 mm) by selecting Maximum as the Printable Area setting. However, print quality may decline in the expanded area.

## Control Panel

To diagnose some problems, check the printer's control panel, as described below, or run a printer check (see page 9).



Follow the guidelines in this table when you check the control panel lights:

⏻ is on or flashing	The ⏻ power light is on when the printer is ready to print. It flashes when the printer is receiving a print job, charging ink, or cleaning the print head. It also flashes when the print head moves to the ink cartridge replacement position.
🗑️ is on	The printer is out of paper. Load paper and then press the 🗑️ paper button to resume printing.
🗑️ is flashing	Paper has jammed in the printer. Press the 🗑️ paper button to eject the jammed paper. If that doesn't clear the error, open the printer cover and remove any paper inside, including torn pieces. Then load a new stack of paper and press the 🗑️ paper button to resume printing.
🔴 is flashing	One of the ink cartridges is low on ink. Check your ink levels to find out which cartridge is low (see your <i>Printer Basics</i> book for details). Make sure you have a replacement cartridge. When the 🔴 ink out light stops flashing and remains on, the cartridge is empty and you need to replace it before you can continue printing.
🔴 is on	One of the ink cartridges is out of ink. Follow the instructions beginning on page 5 to replace the empty cartridge. If the 🔴 ink out light remains on after you've replaced a cartridge, you may have installed a cartridge your printer can't use. Check the number on the cartridge package to make sure you've installed the correct cartridge.

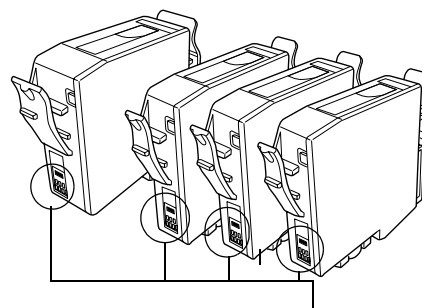
🔴 is on and 🗑️ is flashing	Jammed paper may be blocking movement of the print head, or you may have an internal error. Turn off the printer, open the cover, and check for any jammed paper. Also, make sure you removed all the packing material, as described on the <i>Start Here</i> sheet. Then turn the printer back on. If the error isn't cleared, contact your dealer or EPSON.
🗑️ and 🔴 are flashing	An unknown printer error has occurred. Turn the printer off and contact your dealer or EPSON.
⏻ is off	The printer is not receiving power. Try these solutions: <ul style="list-style-type: none"> <li><input type="checkbox"/> Make sure the printer is turned on.</li> <li><input type="checkbox"/> Turn off the printer, plug in the power cord securely, and turn the printer on again.</li> <li><input type="checkbox"/> Make sure the outlet is working and is not controlled by a switch or timer. If in doubt, try another outlet.</li> </ul>

## Installing Ink Cartridges

The instructions in this section explain how to install the ink cartridges the first time the printer is set up and how to replace an empty or outdated cartridge.

**Caution:** Don't remove the cartridge label, or ink will leak.

Don't remove the green IC chip from the cartridge. Installing a cartridge without an IC chip can damage the printer. Also, don't touch the green IC chip. This can damage the ink cartridge.



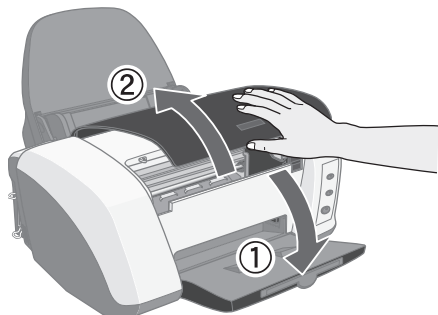
Don't touch the IC chips

**Caution:** If you remove an ink cartridge temporarily, protect the ink supply port on the bottom of the cartridge from dirt and dust. Place it in a small box or its original packaging.

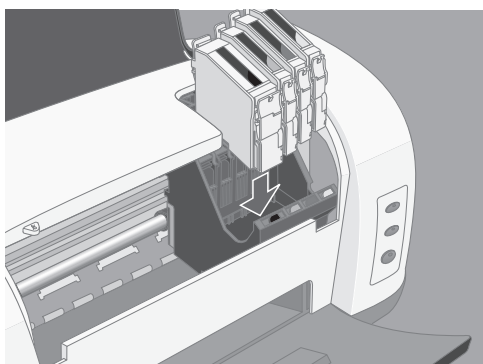
Store cartridges in the same environment as the printer. Stand the cartridges upright, as shown (the label identifying the color should be on top).

## Installing the Cartridges the First Time

1. Turn on the printer.
2. Lower the printer's output tray and open the cover.



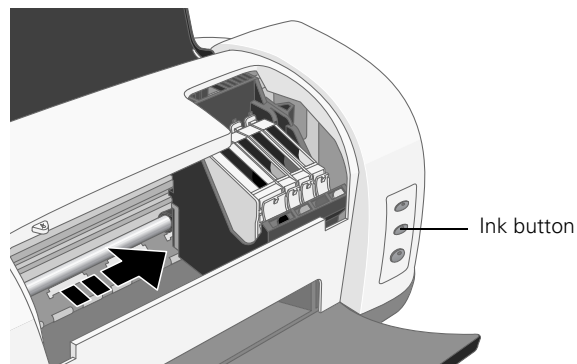
3. Shake the package of ink cartridges four or five times. Then remove the cartridges from the package.
4. Wait a moment for the ink cartridge holders to move into loading position. Then lower each ink cartridge into its holder. The color of the cartridge label should match the sticker on the holder.



**Caution:** Install all four ink cartridges, and leave them installed for all types of printing, or the printer won't work.

5. Gently push each cartridge down until it is completely seated.

6. Press the  $\Delta$  ink button and close the printer cover.



7. Ink charging takes about 90 seconds. You will see the green  $\Delta$  power light flash and hear the printer charging your ink. Don't turn off the printer during this process or you'll waste ink.

**Caution:** Never turn off the printer when the  $\Delta$  power light is flashing unless the printer hasn't moved or made any noise for more than 5 minutes.

## Replacing an Ink Cartridge

When the red  $\Delta$  ink out light is flashing, one of your ink cartridges is low on ink. When the  $\Delta$  ink out light stays on, an ink cartridge is empty and you need to replace it.

**Caution:** You cannot print if any of the ink cartridges are empty. Leave the empty cartridge installed in the printer until you have obtained a replacement; otherwise the ink remaining in the print head nozzles may dry out.

**Note:** If the  $\Delta$  paper out light is also flashing, check the table on page 4. You may have a paper jam or another problem.

When an installed ink cartridge is more than six months old, you may also need to replace it if you notice that your printouts don't look as good as they used to. If print quality doesn't improve after cleaning and aligning the print head, you can replace the cartridge even if the  $\Delta$  ink out light isn't flashing. See page 7 for instructions.

Use these EPSON ink cartridges within six months of installing them and before the expiration date on the package:

Black	T032120
Cyan	T042220
Magenta	T042320
Yellow	T042420

**Caution:** To ensure good results, use genuine EPSON ink cartridges and do not refill them. Other products may cause damage to your printer not covered by EPSON's warranty.

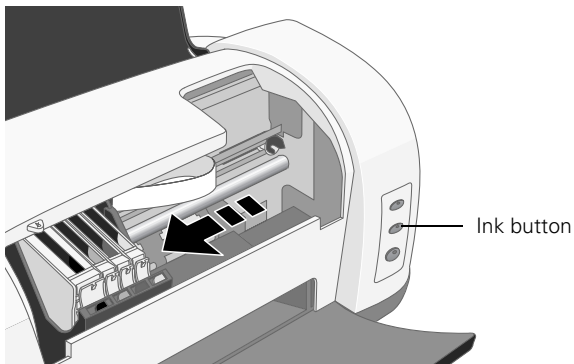
When you need new ink cartridges, contact your dealer or call the EPSON Store<sup>SM</sup> at (800) 873-7766. You can also visit the EPSON Store at [www.epsonstore.com](http://www.epsonstore.com) (U.S. sales only). In Canada, please call (800) 463-7766 for dealer referral.

### Replacing an Empty Ink Cartridge

You can replace an ink cartridge when the red  $\Delta$  ink out light is either flashing or on. Be sure you have a new ink cartridge before you begin. Once you start the ink cartridge replacement procedure, you must complete all the steps in one session.

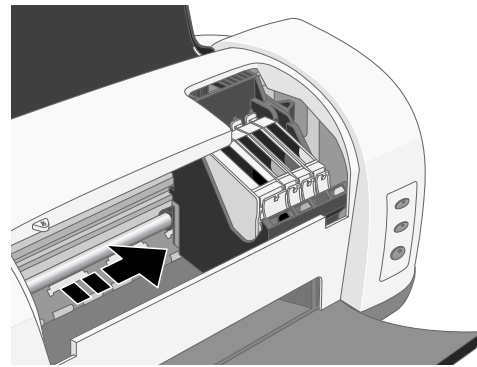
Follow these steps to replace ink cartridges when the red  $\Delta$  ink out light is flashing or on:

1. Make sure the printer is turned on and not printing. The green  $\odot$  power light should be on, but not flashing.
2. Lower the output tray and open the printer cover.
3. Press the  $\Delta$  ink button. The print head moves to the left, and the cartridge that needs to be replaced stops under the  $\emptyset$  mark. The  $\odot$  power light also begins to flash.

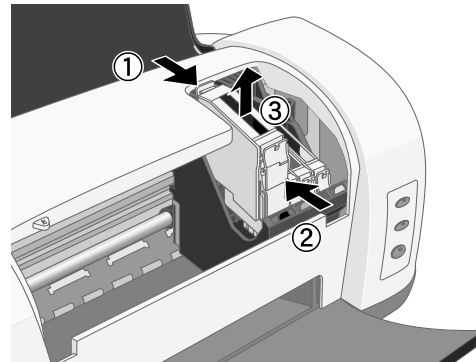


**Warning:** To avoid damaging the printer, never move the print head by hand.

4. Press the  $\Delta$  ink button again.
  - ❑ If more than one ink cartridge is empty, the next cartridge moves under the  $\emptyset$  mark. This happens after you press the  $\Delta$  ink button for every ink cartridge that needs to be replaced.
  - ❑ If all the empty cartridges have been identified, the print head moves to the ink cartridge replacement position.



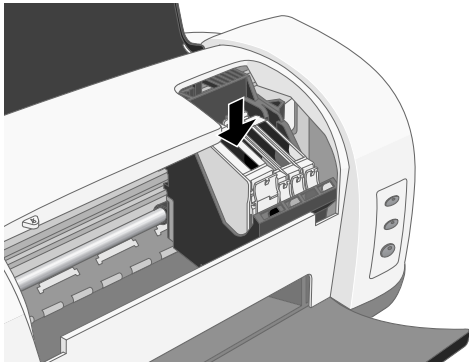
5. Pinch the front and back tabs of the empty cartridge as you lift it out of the printer. Don't take the used cartridge apart or try to refill it.



**Warning:** If ink gets on your hands, wash them thoroughly with soap and water. If ink gets into your eyes, flush them immediately with water.

6. Before you remove the new cartridge from its package, shake it four or five times.

- Remove the cartridge from its package and lower it into the cartridge holder. Push down gently until the cartridge is firmly seated.



- Repeat steps 5 through 7 for each cartridge you need to replace.
- Close the printer cover and press the  $\Delta$  ink button. The printer moves the print head and begins charging the ink delivery system.

The green  $\Delta$  power light flashes and the printer makes noise. Charging takes about one minute. When it's finished, the  $\Delta$  power light stops flashing and stays on.


**Caution:** Never turn off the printer while the  $\Delta$  power light is flashing, unless the printer hasn't moved or made noise for more than 5 minutes.


### Replacing an Outdated Ink Cartridge

Even if the red  $\Delta$  ink out light isn't flashing or on, you may need to replace an ink cartridge if it's more than six months old and print quality declines. If print quality doesn't improve after cleaning and aligning the print heads, you can replace the cartridge(s) causing the problem.

**Note:** Make sure you have the new ink cartridge(s) before you continue. Once you start the ink cartridge replacement procedure, you must complete all the steps in one session.

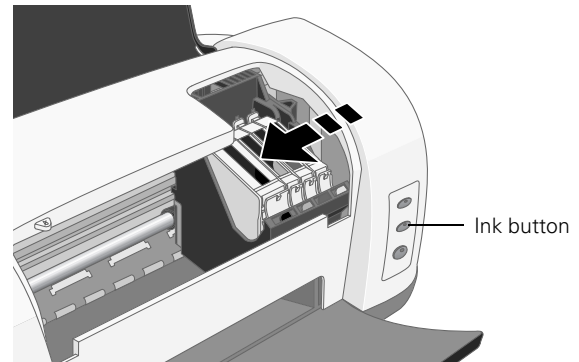
Follow these steps to replace ink cartridges before the  $\Delta$  ink out light goes on or begins to flash:

- Load letter-size paper and print a nozzle check pattern to determine which cartridge needs to be replaced.
- Windows:** Right-click the  printer icon on the Windows taskbar, and then click Nozzle Check.

**Macintosh 8.6 to 9.x:** Choose Print from your application's File menu. Then click the  Utility button. On the Utility menu, click the Nozzle Check button.

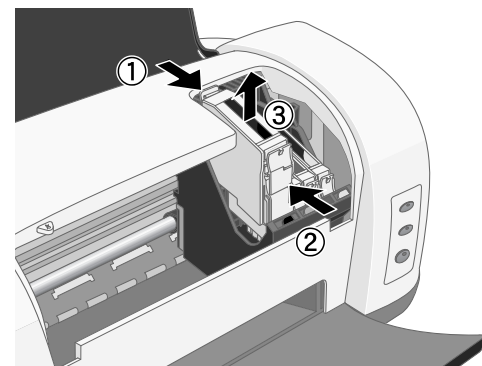
**Macintosh OS X:** Open your Applications folder and double-click EPSON Printer Utility. Select C82 Series in the printer list and click OK. Then click Nozzle Check.

- Follow the instructions on the screen to print the nozzle check pattern. Then examine the pattern for gaps in the lines. You only need to replace those colors whose lines show gaps.
- Make sure you have the correct replacement cartridges.
- Lower the output tray and open the printer cover.
- Press the  $\Delta$  ink button. The print head moves to the ink cartridge replacement position, and the green  $\Delta$  power light begins to flash.



**Caution:** To avoid damaging the printer, never move the print head by hand.

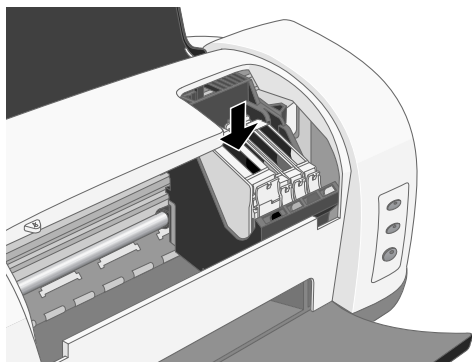
- Pinch the front and back tabs of the cartridge as you lift it out of the printer. Don't take the used cartridge apart or try to refill it.



**Warning:** If ink gets on your hands, wash them thoroughly with soap and water. If ink gets into your eyes, flush them immediately with water.

- Before you remove the new cartridge from its package, shake it four or five times.**

- Remove the cartridge from its package and lower it into the cartridge holder. Push down gently until the new cartridge is firmly seated.



- Repeat steps 7 through 9 for each additional cartridge you want to replace.
- Close the printer cover and press the  $\Delta$  ink button. The printer moves the print head and begins charging the ink delivery system.

The green  $\Delta$  power light flashes and the printer makes noise. Charging takes about one minute. When it's finished, the  $\Delta$  power light stops flashing and stays on.

**Caution:** Never turn off the printer while the  $\Delta$  power light is flashing, unless the printer hasn't moved or made noise for more than 5 minutes.

## Printing on Special Media

Select the paper **Type** setting (Windows) or **Media Type** setting (Macintosh) according to these guidelines:

For this paper name...	Select this paper Type (or Media Type) setting
Plain paper and envelopes	Plain paper
EPSON Premium Bright White Paper	Bright White Paper
EPSON Photo Quality Ink Jet Paper EPSON Photo Quality Ink Jet Cards	Photo Quality Ink Jet Paper
EPSON Matte Paper Heavyweight	Matte Paper - Heavyweight
EPSON Double-Sided Matte Paper	Double-Sided Matte Paper
EPSON Enhanced Matte Paper (Archival Matte Paper)	Enhanced Matte Paper
EPSON Glossy Photo Paper (Photo Paper) EPSON All Purpose Glossy Paper EPSON Glossy Photo Greeting Cards	Glossy Photo Paper
EPSON Premium Semigloss Photo Paper	Premium Semigloss Photo Paper
EPSON Ink Jet Transparencies	Ink Jet Transparencies

## Paper Loading Guidelines

**Caution:** Don't use the cleaning sheets that may be included with your special media; they may damage the printer.

- Always load paper short edge first, even when printing landscape-oriented pictures.
- Always handle sheets by the edges, and don't touch the printable surface.
- Be sure to load the printable (whiter) side of the paper face up in the sheet feeder.
- Never load paper above the arrow inside the left edge guide. For specific paper loading guidelines, see the table below.
- In addition to the paper **Type** setting (Windows) or **Media Type** setting (Macintosh), remember to select the correct **Paper Size** for your media in the printer software.
- If there are protective sheets between the sheets of paper or film, be sure to remove the protective sheets before printing.
- Some special media have a cut corner that you need to position on the upper right.
- You can load the following number of sheets of EPSON special media:


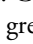

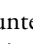
For this paper name...	Load this number of sheets
Plain paper (17 lb)	Up to 150 sheets
EPSON Premium Bright White Paper	Up to 30 sheets
EPSON Photo Quality Ink Jet Paper	Up to 30 sheets
EPSON Photo Quality Ink Jet Cards	Up to 30 cards with the included support sheet beneath the stack
EPSON Glossy Photo Paper (Photo Paper)	Up to 30 sheets
EPSON All Purpose Glossy Paper	Up to 30 sheets
EPSON Matte Paper Heavyweight EPSON Enhanced (Archival) Matte Paper	Up to 20 sheets with the included support sheet beneath the stack
EPSON Ink Jet Transparencies	Up to 10 sheets
EPSON Premium Semigloss Photo Paper EPSON Double-Sided Matte Paper EPSON Glossy Photo Greeting Cards	One sheet at a time

**Note:** If you experience paper feeding problems, try loading just one sheet at a time.

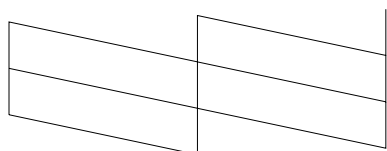


## Testing the Printer

You can run a printer check to determine whether a problem comes from the printer itself or some other source.

1. Make sure both the printer and computer are turned off. Then disconnect the interface cable from the printer.
2. Make sure letter-size or larger plain paper is loaded in the printer.
3. Hold down the  paper button, then press and release the  power button. Continue holding down the  paper button until the green  power light starts to flash, then release it.

The printer prints one page showing its ROM version number, ink counter, and a nozzle check pattern. (If the pattern has gaps in its lines, you need to clean the print head; see below.)



4. Turn off the printer after it prints the check page. Then reconnect the cable and turn on your printer and computer.

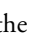
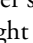
If the check page prints, the problem probably lies in your software settings, interface cable, or computer.

If the check page doesn't print, you may have a problem with your printer. Try the solutions in the *Printer Basics* book.


## Cleaning the Print Head

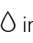
If your printouts are unexpectedly light or faint, or dots or lines are missing from the image, you may need to clean the print head. This unclogs the nozzles so they can deliver ink properly. Print head cleaning uses ink, so clean it only if quality declines.


This section explains how to clean the print head using the Head Cleaning utility. This is the recommended method when the printer is connected directly to your computer (not over a network).

You can also clean the print head by holding down the  ink button on the printer's control panel for three seconds when the red  ink out light is off.

**Note:** When you don't turn on your printer for a long time, the print quality can decline. It's a good idea to turn on your printer at least once a month to maintain good print quality.

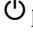
1. Make sure the printer is turned on but not printing. The  power light should be on, but not flashing. Neither of the other lights should be flashing or on.


**Note:** You can't clean the print head if the  ink out light is flashing or on. Replace the appropriate ink cartridge instead.


2. Load letter-size paper.
3. **Windows:** Right-click the  printer icon on the Windows taskbar, and then click **Head Cleaning**.

**Macintosh 8.6 to 9.x:** Choose **Print** from your application's File menu. Then click the  Utility button. On the Utility menu, click the **Head Cleaning** button.

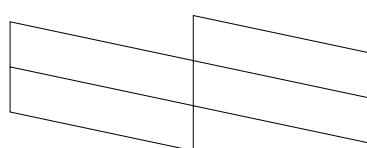
**Macintosh OS X:** Open your **Applications** folder and double-click **EPSON Printer Utility**. Select **C82 Series** in the printer list and click **OK**. Then click **Head Cleaning**.

4. Follow the instructions on the screen to clean the print head. Cleaning takes about 60 seconds, during which the printer makes some noise and the green  power light flashes.

**Caution:** Never turn off the printer while the  power light is flashing, unless the printer hasn't moved or made noise for more than 5 minutes.

5. When the  power light stops flashing, run a nozzle check to confirm that the print head nozzles are clean.

Make sure paper is loaded in the printer and click **Print nozzle check pattern** (Windows) or **Confirmation** (Macintosh). Then follow the on-screen directions to print a nozzle check.:




6. If the nozzle check pattern has no gaps in its lines, click **Finish**.

If the pattern has any gaps, click **Clean** to clean the print head again. If you don't see any improvement after cleaning three or four times, see the solutions in the *Printer Basics* book.

## Aligning the Print Head

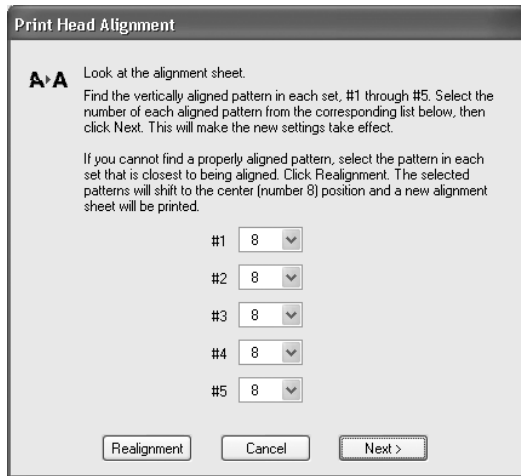
If your printouts contain misaligned vertical lines, you may need to align the print head. Your printer must be connected to a local port, not on a network, to use the Print Head Alignment utility. Follow these steps:

1. Make sure the printer is on but not printing, and letter-size plain paper is loaded.
2. **Windows:** Right-click the  printer icon on the Windows taskbar, and then click **Print Head Alignment**.

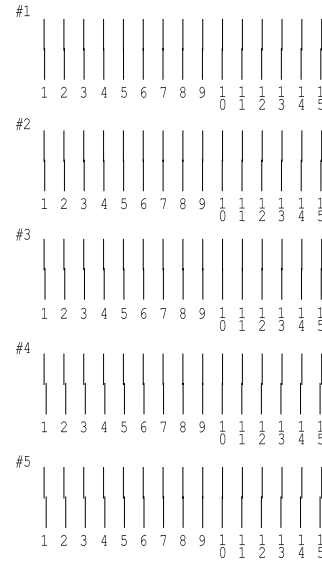
**Macintosh 8.6 to 9.x:** Choose **Print** from your application's File menu. Then click the  Utility button. On the Utility menu, click the **Print Head Alignment** button.

**Macintosh OS X:** Open your Applications folder and double-click **EPSON Printer Utility**. Select **C82 Series** in the printer list and click **OK**. Then click **Print Head Alignment**.

3. Follow the instructions on the screen to print a black vertical alignment test page. You see this window:



4. Look at the five rows of patterns in your printout:

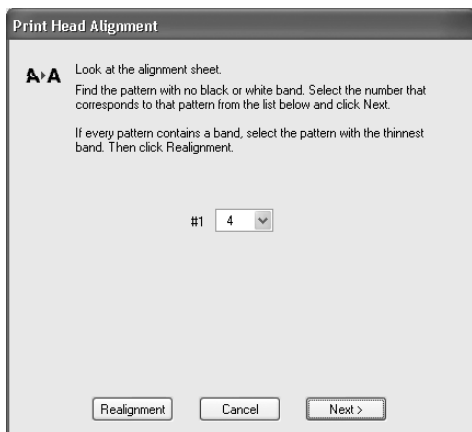


5. For each row, find the pattern with the two vertical lines most precisely printed on top of each other and select its number in the corresponding box on the screen.  
If you find a perfectly aligned pattern for each row, click **Next**. If any of the rows do not have a perfectly aligned pattern, select the best pattern and click **Realignment**. Repeat this step until you find a perfectly aligned pattern for each row.

6. Click **Print** to print the color vertical alignment sheet.
7. Look at the four rows of patterns in your printout. For each row, find the pattern with the two vertical lines most precisely printed on top of each other and select its number in the corresponding box on the screen.

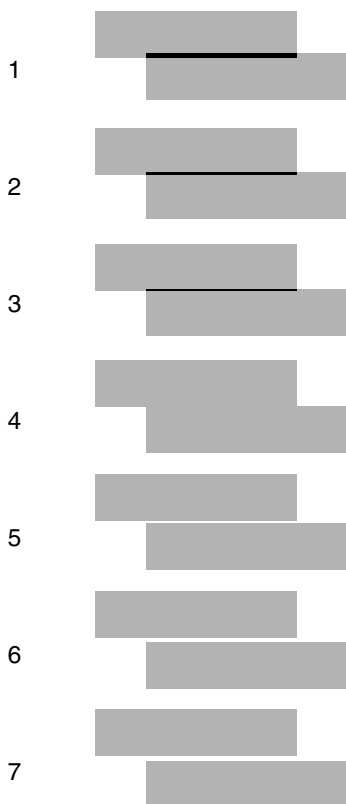
If you find a perfectly aligned pattern for each row, click **Next**. If any of the rows do not have a perfectly aligned pattern, select the best pattern and click **Realignment**. Repeat this step until you find a perfectly aligned pattern for each row.

- Click **Print** to print a black horizontal alignment sheet. You see this window:



- In your printout, select the pattern with the smallest gap or faintest line between the rectangles. Enter its number in the box on the screen and click **Next**.

If you can't find an aligned pattern, choose the best pattern and click **Realignment**. Repeat this step until you find an aligned pattern.



- Click **Print** to print a color horizontal alignment sheet.

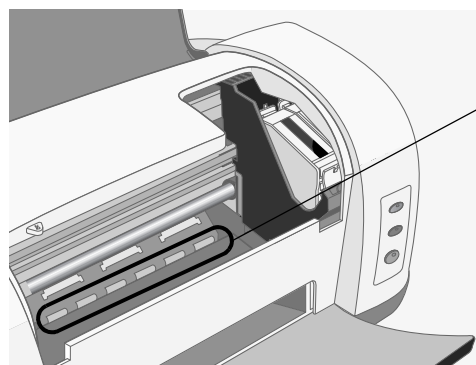
- In your printout, find the pattern with the smallest gap or faintest line between the rectangles and enter its number in the box on the screen. Then click **Finish**.

If you can't find an aligned pattern, choose the best pattern and click **Realignment**. Repeat this step until you find an aligned pattern.

## Cleaning the Printer

To keep your printer working at its best, you should clean it several times a year. Follow these steps:

- Turn off the printer and wait for the green power light to go out.
- Unplug the power cord and disconnect the printer cable.
- Remove all the paper from the sheet feeder.
- Clean the exterior of the printer with a soft, damp cloth. Keep the printer cover closed to prevent water from getting inside.
- If ink leaks inside the printer, carefully wipe the section circled below with a damp cloth.



If ink leaks inside, wipe here with a damp, lint-free cloth

**Caution:** Don't touch the gears inside the printer.

Make sure you use a soft cloth to clean the printer's lid; otherwise you may scratch it. Don't use a rough cloth, and never use a hard or abrasive brush to clean any part of the printer case.

Never use alcohol or thinner for cleaning; they can damage the printer components and case.

Don't get water on the printer components and don't spray lubricants or oils inside the printer.

Don't use any cleaning sheets included with special paper; they may jam inside the printer.

---

### Transporting the Printer

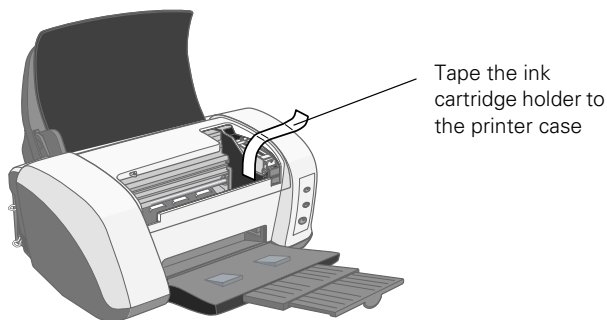
---

If you move your printer some distance, you need to prepare it for transportation in its original box or one of a similar size.

**Caution:** To avoid damage, always leave the ink cartridges installed when transporting the printer.

Be sure to remove the tape used in step 5 after installing the printer in its new location.

1. Turn on the printer, wait until the print head locks in the far right position, then turn off the printer.
2. Unplug the power cord.
3. Disconnect the printer cable from the printer.
4. Remove any paper from the printer and remove the paper support.
5. Open the printer cover. Secure the ink cartridge holder to the printer with tape as shown, then close the printer cover.



6. Push in the output tray extensions and close the tray.
7. Repack the printer and attachments in the original box using the protective materials that came with them. See your *Start Here* sheet.

Keep the printer level as you transport it.

After transporting the printer, remove the tape securing the print head and test your printer. If you notice a decline in print quality, clean the print head (see page 9); if output is misaligned, align the print head (see page 10).

---

### Related Documentation

---

PL-SC82	EPSON Stylus C82 Parts Price List
CPD-14293R2	EPSON Stylus C82 <i>Start Here</i>
CPD-14295R1	EPSON Stylus C82 <i>Printer Basics</i>
CPD-14296R1	EPSON Stylus C82 CD-ROM with <i>Reference Guide</i>
CPD-15375	<i>Attention Windows Users</i> slipsheet (describes Online Support button and how to order ink online)