

# EPSON Stylus® C84

# Start Here



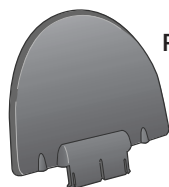
CPD-16675R1  
4043482-00  
XXX

## 1 Unpack

1 Remove everything from the box.



Printer



Paper support



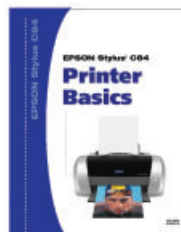
Power cord



Ink cartridges

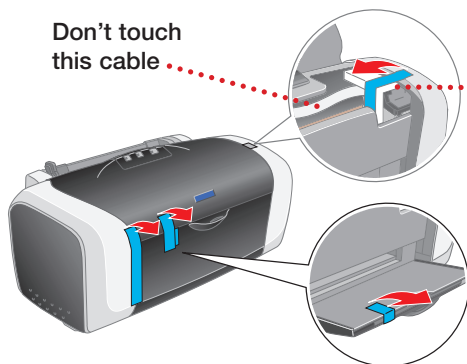


CD-ROM



Manual

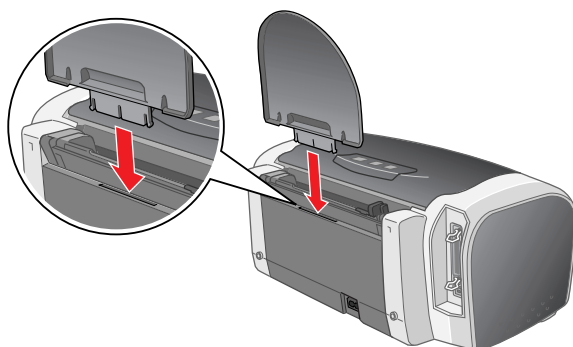
2 Remove all the blue tape and packing material inside and around the printer. The tape may be in slightly different places on your printer, so check carefully.



Don't touch this cable

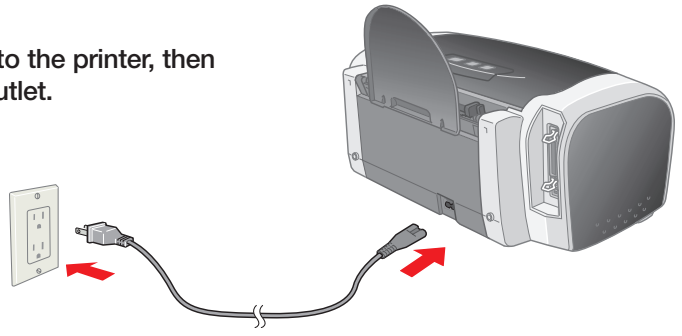
Remove this piece

3 Slide the paper support into the groove on the back of the sheet feeder. The paper support should fit securely.

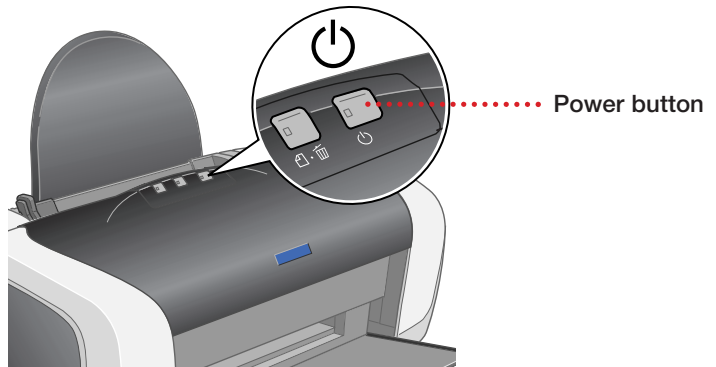


# 2 Power On

- 1 Connect the printer's power cord to the printer, then plug it into a standard electrical outlet.



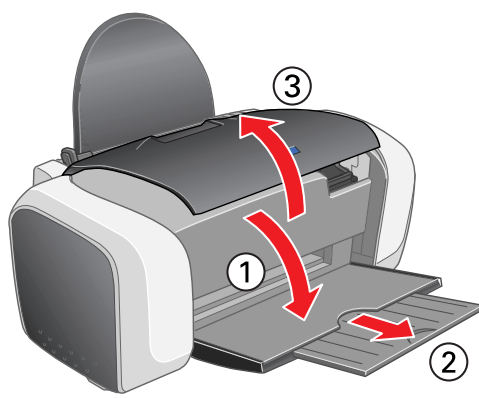
- 2 Press the printer's power button until the green power light comes on.



**CAUTION:** Use only the printer's power button to turn the printer on or off.

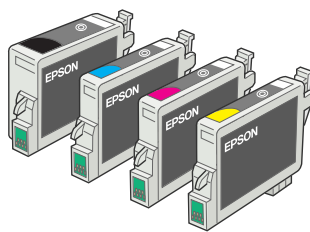
# 3 Install Ink Cartridges

- 1 Lower the printer's output tray, pull out the extension and open the cover.

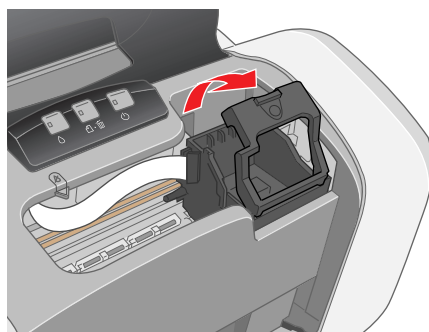


- 2 Shake the package of ink cartridges four or five times. Then remove the cartridges from the package. (Don't shake them after removing the packaging.)

Don't touch the green circuit boards or remove any labels



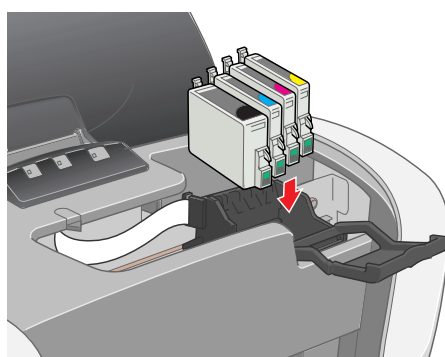
- 3 Open the cartridge cover.



- 4 Lower each ink cartridge into its holder with the green circuit board facing the front.

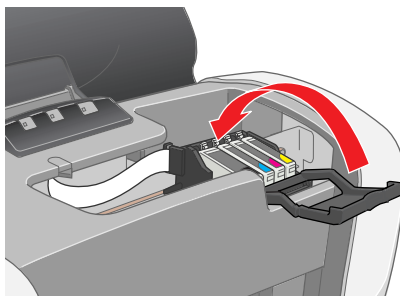
Then gently push each ink cartridge down until it is firmly seated.

The color of the cartridge label should match the marker on the holder.



**continue**

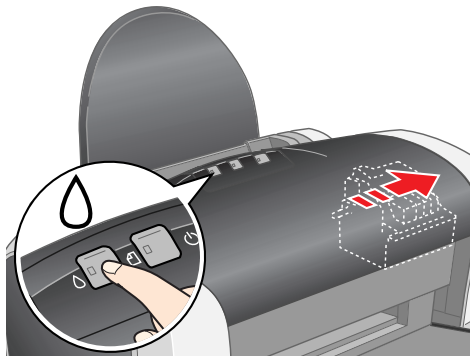
**5** Close the cartridge cover.



**6** Press the ink button and close the printer cover.

The green power light flashes as your printer charges ink for several seconds.

**CAUTION:** Don't turn off the printer while the green power light is flashing, unless the printer hasn't moved or made any noise for more than 5 minutes.



# 4 Connect the Printer


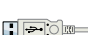
Printer cables are not included with your printer. You need **only one** of the following cables:

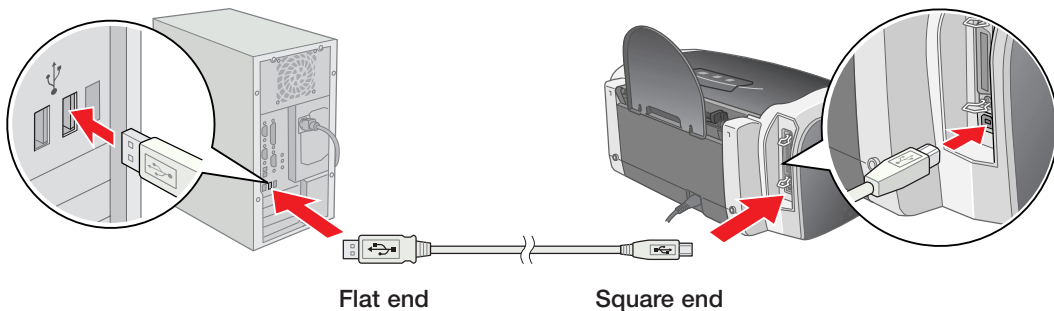
- USB cable (Windows® or Macintosh®) **or**
- Parallel cable (Windows only).

**NOTE:** If you have Windows NT 4.x, you must use a parallel cable.

## USB Cable Users (Windows or Mac®)



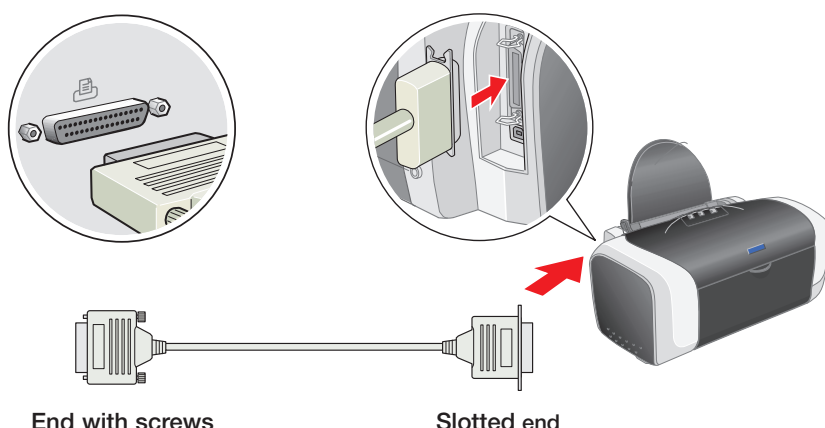
- 1** Make sure your computer is turned off. Keep it turned off until section 6, "Install Software."
- 2** Plug the  square end of the cable into the USB port on the back of the printer.
- 3** Plug the  flat end of the cable into your computer's USB port until it stops. (You can use any open USB port.)



## Parallel Cable Users (Windows only)



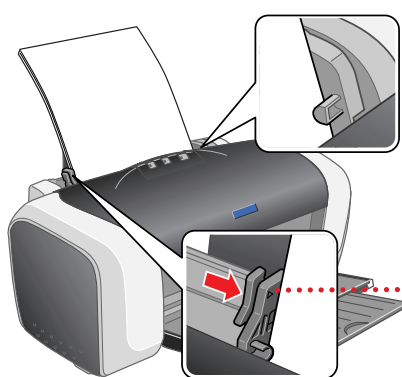
- 1** Make sure your computer is turned off. Keep it turned off until section 6, "Install Software."
- 2** Plug the end of the cable with the slotted connector into the parallel port on the side of the printer, then secure it with the wire clips.
- 3** Plug the end of the cable with the screws on the side into your computer's parallel port and secure it.



**Turn over** . . . . . 

# 5 Load Paper

- 1 Fan a few sheets of paper and place them against the right edge guide. Make sure the paper is under the tabs on the edge guides. Don't push the paper in.
- 2 Press in the side of the left edge guide and slide it against the paper, but not too tightly.



Don't load paper above this arrow

# 6 Install Software

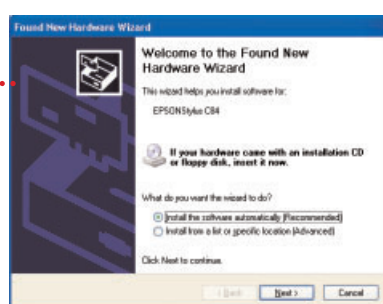
Follow the appropriate section below to install the printer software on Windows XP, Windows Me, Windows 98, Windows 2000, or Macintosh.

For instructions on installing the software on Windows NT 4.x, see your *Printer Basics* book.

## Windows XP

- 1 Turn on your computer. (Make sure your printer is still on.)
- 2 Wait for this screen to appear.

**NOTE:** If you don't see the Found New Hardware Wizard screen, make sure your printer is on and your cable is securely connected to your printer's port.



- 3 Put the EPSON CD-ROM in your drive.
- 4 Wait while the files are copied to your computer.
- 5 Click **Finish** when you see the final Found New Hardware Wizard screen.
- 6 You see the license agreement. Read the agreement and click **Agree**.

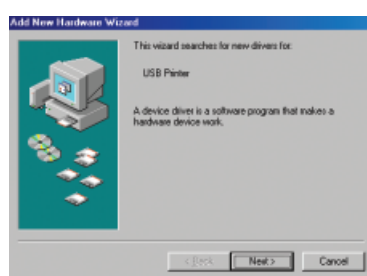
You see the Options Menu. Continue with the "Finishing Windows Installation" instructions to the right to complete your software installation.

## Windows Me and 98

- 1 Turn on your computer. (Make sure your printer is still on.) Wait until you see the Add New Hardware Wizard.



Windows Me



Windows 98

- 2 Put the EPSON CD-ROM in your drive.
- 3 After a moment, click **Next** on the Add New Hardware Wizard screen. (In Windows Me, you may not need to click **Next**.)

**Me** If you're running Windows Me, go to step 7.

**98** If you're running Windows 98, continue with step 4.

- 4 When you see this screen, click the **Search for** option, then click **Next**.



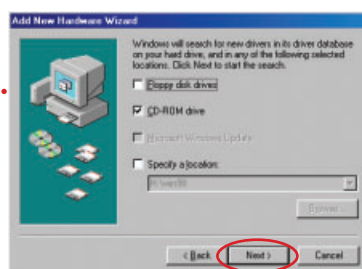
*continue*

**5** You see a screen asking where you want Windows to search. Click **CD-ROM drive**. Then click **Next**.

**6** Click **Next** on the following screen.

**7** When installation halts, click **Finish**.

**8** Your computer detects your printer connection a second time. Do one of the following:



**Me** Click **Next** on the next screen. The Add Printer Wizard screen appears. Click **Finish**.

**98** Click **Next** on each of the four screens that follow. The Add Printer Wizard appears. Click **Finish**.

**9** At the final Add New Hardware Wizard screen, click **Finish**.

**10** You see the license agreement. Read the agreement and click **Agree**.

**NOTE:** If the license agreement doesn't appear, double-click the  **EPSON CD-ROM icon**, then double-click  **EPSON**.

You see the Options Menu. Continue with the instructions below under “Finishing Windows Installation” to complete your software installation.

## Windows 2000

**1** Turn on your computer. (Make sure your printer is still on.)

**2** Wait until you see the Found New Hardware Wizard screen. Then put the EPSON CD-ROM in your drive.

**3** After a moment, click **Next**. You see a screen indicating that Windows has found an unknown device.

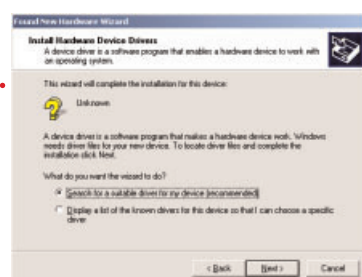
**4** Click the **Search for** option, then click **Next**.

**5** Make sure **CD-ROM drives** is selected, then click **Next**.

**6** At the next screen, click **Next**. Wait while the files are copied to your computer.

**7** Click **Finish** when you see the final Found New Hardware Wizard screen.

**8** You see the license agreement. Read the agreement and click **Agree**.



You see the Options menu. Continue with the “Finishing Windows Installation” instructions to complete your software installation.

## Finishing Windows Installation

**1** When you see this screen, make sure you have paper in the printer, then click **Print a Test Page** to check that your printer is set up correctly.

**2** Optionally, click **Install EPSON Software Film Factory** and follow the on-screen instructions.

**3** Click **Install Manual and Printer Movies** and follow the on-screen directions to install the EPSON Printer Information Center on your desktop.

**4** When you're finished, click **Exit** to close the Options Menu.







**5** When you see the EPSON Product Registration screen, register your printer as instructed, then remove your CD-ROM.

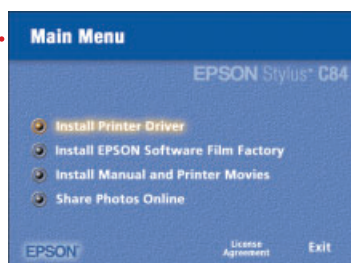


You're ready to print! See the details in your *Printer Basics* book.

## Macintosh

**NOTE:** To print from Macintosh Classic applications as well as OS X applications, follow the steps below in OS X, then restart your Macintosh in OS 9 and follow the steps below again.

- 1 Make sure your printer is on, then turn on your Macintosh. When you see your Macintosh icons on the desktop, insert the CD-ROM in the CD-ROM or DVD drive.
- 2 If the CD-ROM window doesn't open automatically, double-click the  **CD Icon** or  **EPSON CD-ROM** icon.
- 3 Double-click  **EPSON**.
- 4 Read the License Agreement and click **Agree**.
- 5 At the Main Menu, click **Install Printer Driver**. In Mac OS X, enter your administrator password and click **OK**.
- 6 Follow the instructions on the screen and then restart your computer.
- 7 Double-click the  **CD Icon** or  **EPSON CD-ROM** icon again (if necessary), then double-click the  **EPSON** installer icon.
- 8 Optionally, click **Install EPSON Software Film Factory** and then click **Install**. Follow the instructions on the screen.
- 9 Click **Install Manual and Printer Movies** to install the EPSON Printer Information Center.




**NOTE:** You need a browser – such as Microsoft Internet Explorer 4.0 or later or Netscape Navigator® 4.0 or later – to view the guide.

- 10 When you're done, click **Exit** to close the installer. You see the EPSON Product Registration screen.
- 11 Register your printer as instructed. At the last screen, click **Done** or close your browser. Then remove the CD-ROM.

If you are using Mac OS X, add all your printer's page setup options as described under "Add Your Printer in Mac OS X." If you are using Mac OS 9 or earlier, select your printer in the Chooser as described under "Choose Your Printer in Mac OS 9 or earlier."

## Add Your Printer in Mac OS X

- 1 Open the Applications folder on your hard drive, then open the Utilities folder and double-click **Print Center**.
- 2 Choose Stylus C84 in the printer list and click the  **Add** icon.

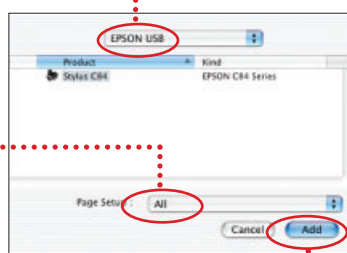
**NOTE:** If you don't see your printer in the Printer List, make sure the printer is turned on and connected. Also make sure EPSON USB is selected.

- 3 Click the **Stylus C84** icon to select it, then choose **All** from the Page Setup menu.
- 4 Click **Add**. You see the Printer List with the Stylus C84 and Stylus C84 (Sheet Feeder - Borderless) printer options.
- 5 Close Print Center.

Choose EPSON USB


Choose All

Click Add



You're ready to start printing! See the details in your *Printer Basics* book.

## Choose Your Printer in Mac OS 9.x or Earlier

- 1 Open the Chooser.
- 2 Click the  **C84 Series** icon, click your USB port, and turn on background printing.
- 3 Close the Chooser.

You're ready to start printing! See the details in your *Printer Basics* book.