

Line spacing: 1/6 inch, 1/8 inch, or programmable in 1/360-inch increments

Paper feed speed: 87 milliseconds per 1/6-inch line

Input buffer: 8 KB when mixed text/graphics option in default-setting mode is set to ON  
32 KB when mixed text/graphics option in default-setting mode is set to OFF

**Internal fonts and character tables**

Bitmap fonts:

Font	10 cpi	12 cpi	15 cpi	Proportional
EPSON Draft	o	o	o	-
EPSON Roman	o	o	o	o
EPSON Sans Serif	o	o	o	o
EPSON Courier	o	o	o	-
EPSON Prestige	o	o	o	-
EPSON Script	o	o	o	-

Select other font/pitch combinations using ESC/P 2 commands.

Scalable fonts:

Font	Min pt	Max pt	Increments
EPSON Roman	8	32	2 pt
EPSON Sans Serif	8	32	2 pt
EPSON Roman T	8	32	2 pt
EPSON Sans Serif H	8	32	2 pt

Character tables: One italic and 8 graphics character tables

Character sets: 14 international character sets and 1 legal character set

**Printer Specifications**

**Printing**

Printing method: Drop on demand 48-nozzle ink jet matrix

Character pitch and printing speed:

Character pitch	Printable columns	Printing speed	Draft
10 cpi	80	165 cps	250 cps
12 cpi	96	198 cps	300 cps
15 cpi	120	248 cps	375 cps
17 cpi (10 cpi condensed)	137	283 cps	429 cps
20 cpi (12 cpi condensed)	160	330 cps	500 cps

cpi: characters per inch    cps: characters per second

Maximum resolution: 360 x 360 dpi text, graphics

Printing direction: Bidirectional with logic-seeking for text and graphics. (The auto print direction can be set in the default-setting mode.)

**Paper**

Single sheets (paper feeder):

Width 210 to 216 mm (8.2 to 8.5 inches)  
 Length 279 to 297 mm (11.0 to 11.7 inches)  
 Thickness 0.065 to 0.14 mm (0.0026 to 0.0055 inches)  
 Weight 64 to 90 g/m<sup>2</sup> (18 to 24 lb)  
 Use 90 g/m<sup>2</sup> (24 lb) paper under normal temperature and humidity conditions.

Quality Bond paper, plain paper

Single sheets (manual insertion):

Width 182 to 216 mm (7.1 to 8.5 inches)  
 Length 257 to 297 mm (10.1 to 11.7 inches)  
 Thickness 0.065 to 0.11 mm (0.0026 to 0.0043 inches)  
 Weight 52 to 90 g/m<sup>2</sup> (14 to 24 lb)  
 Quality Bond paper, plain paper

# EPSON STYLUS 800+

## Note:

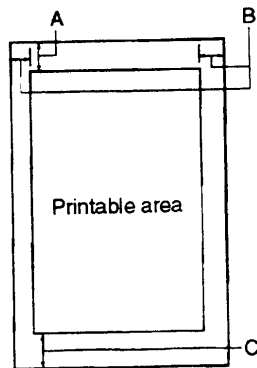
Use recycled paper under normal temperature and humidity conditions only. Poor quality paper may reduce print quality, as well as cause paper jams and other problems. If you encounter problems, switch to a higher grade of paper.

## Envelopes (manual insertion):

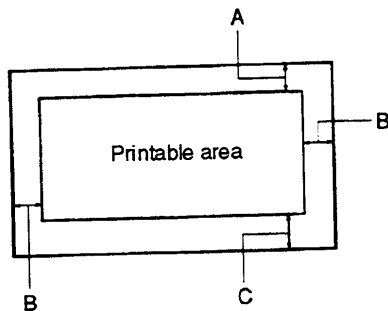
Size	No. 6: 166 × 92 mm (6.5 × 3.6 inches) No. 10: 240 × 104 mm (9.5 × 4.1 inches)
Thickness	0.16 to 0.52 mm (0.0063 to 0.020 inches)
Weight	45 to 90 g/m <sup>2</sup> (12 to 24 lb) Use envelopes only under normal temperature and humidity conditions. Insert envelopes long side first; use the manual feed slot only.
Quality	Bond paper, plain paper, air mail Difference in thickness within printable area must be less than 0.25 mm.

## Printable area:

Single sheets (paper feeder and manual insertion)



## Envelopes:



- A The minimum top margin is 3.0 mm (0.12 inches).
- B The minimum left and right margins are 3.0 mm (0.12 inches).
- C The minimum bottom margin is 13.0 mm (0.51 inches).

## Mechanical

Paper-feed method:	Friction
Ink cartridge (S020025):	
Color:	Black
Print capacity:	Approximately 700,000 letter-quality characters (The cartridge life may vary, depending on how often you use the print head cleaning operation.)
Cartridge life:	2 years from production date
Temperature:	Storage: -30 to 40°C (-22 to 104°F) Transit: -30 to 60°C (-22 to 140°F) 1 month at 40°C (104°F) 120 hours at 60°C (140°F)
Freezing:	-3°C (26.6°F) thaws in approx. 2 hours at 25°C (77°F)

MTBF: 4,000 power-on hours

Total print volume: 75,000 pages

Print head life: 1 billion dots per nozzle

## Dimensions and weight:

Height	154 mm (6.0 inches)
Width	435 mm (17.1 inches)
Depth	377 mm (14.8 inches) (letter)
Weight	4.8 kg (10.6 lb)

## Electrical

Rated voltage: AC 120 V

Input voltage range: AC 103.5 to 132 V

Rated frequency range: 50 to 60 Hz

Input frequency range: 49.5 to 60.5 Hz

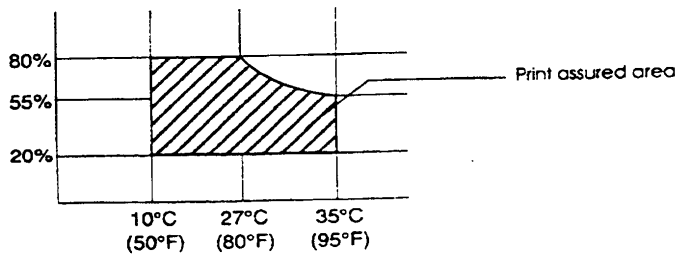
Rated current: 0.5 A

Power consumption: Approx. 13 W (during self-test printing in LQ mode at 10 cpi)

**Environmental**

Temperature: Operation: 10 to 35°C (50 to 95°F)  
Storage: -20 to 60°C (-4 to 140°F)

Humidity (without condensation):  
Operation: 20 to 80% RH  
Storage: 5 to 85% RH



**Safety approvals**

Safety standards: UL1950 with D3, CSA22.2 #220  
R.F.I.: FCC Part 15 Subpart B class B

**Interface specifications**

Your printer is equipped with an 8-bit parallel interface.

**Specifications and pin assignments**

The built-in parallel interface has the following characteristics:

- Data format: 8-bit parallel
- Synchronization: STROBE pulse
- Handshake timing: BUSY and ACKNLG signals
- Signal level: TTL compatible
- Connector: 36-pin 57-30360 Amphenol connector or equivalent

**Default settings**

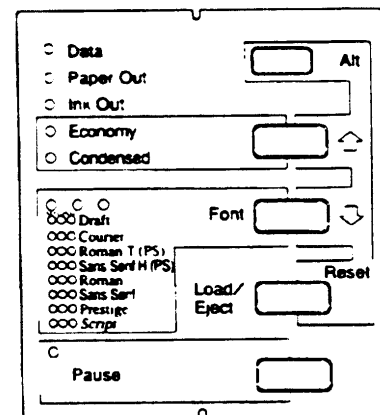
The table below shows the default settings that take effect when the printer is initialized.

Item	Default setting
Top-of-form position	Current paper position
Page length	Single sheets: 65 lines for A4-size paper 61 lines for letter-size paper 22 inches for manual insertion
Left and right margins	Canceled
Line spacing	1/6-inch line spacing
Character size	10.5 point
Vertical tab position	Cleared
Horizontal tab positions	Every eight characters
Font selection	Last font selected on control panel
Special printing effects	Canceled (except condensed printing)
Download character set	Hardware initialization: cleared Software/control panel initialization: deselected only

In addition, hardware and control panel initialization clears the data buffer.

**The Control Panel**

The printer control panel gives you easy control over most common printer operations. It consists of indicator lights and buttons.



**Indicator lights**

**Pause**

On when printing is paused.

**Font**

Indicate the current font setting. These three lights go on and off when you press the Font button. The font menu on the control panel helps you determine which font is selected.

**Condensed**

On when the condensed printing mode is selected. When this mode is selected, the printer prints a condensed version of selected fonts.

**Economy**

On when the economy printing mode is selected. When this mode is selected, the printer uses fewer dots per character. The print speed is the same in both economy and LQ mode, but the economy mode uses less ink. This mode is ideal for rough drafts and editing work.

**Ink Out**

On when the ink cartridge runs out of ink. Rapid flashing indicates the ink is low.

**Paper Out**

On when the printer runs out of paper. Rapid flashing indicates a paper jam.

**Data**

On when data remains in the printer's memory.

**Buttons**

**Pause**

Press this button to stop printing temporarily. Press it again to resume printing.

**Load/Eject**

Press the Load/Eject button to load or eject a sheet of paper. If you have been printing from the manual feed slot, pressing this button switches paper loading back to the paper feeder.

**Font**

Press this button to cycle through the font choices on the font menu. The Font lights indicate the current selection.

**Economy/Condensed**

Press the Economy/Condensed button to select economy printing or condensed mode. Press it again to turn your selection off. The indicator light goes on or off next to the mode you select.

**Alt**

Hold down this button for several seconds to move the print head to the ink cartridge replace position when the printer is paused.

The Alt button also alters the functions of the other buttons. Hold down the Alt button and press another button to change the functions as follows:

**Print Head Cleaning (Alt + Pause)**

Starts the print head cleaning cycle.

**Reset (Alt + Load/Eject)**

Clears the printer's buffer and initializes the printer settings to their factory settings.

**Micro Feed:**

**(Alt + Font)**

Feeds paper forward in 1/180-inch increments.

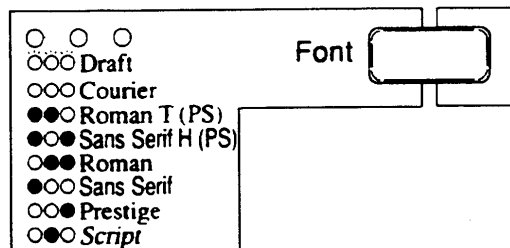
**(Alt + Economy/Condensed)**

Feeds paper backward in 1/180-inch increments.

**Character Fonts**

Your printer has eight built-in character fonts including EPSON Roman T and EPSON Sans Serif H. (Roman T is similar to the Times™ font; Sans Serif H is similar to Helvetica™.)

Press the Font button to select from the eight fonts listed on the control panel. The three Font lights come on (O), go off (●), or flash (◊) to indicate the active font.



The table below lists the available fonts and shows how the Font lights appear for each selection.

Font lights	Fonts
◊ ◊ ◊	EPSON Draft
○ ○ ○	EPSON Courier
● ● ●	EPSON Roman T
● ○ ●	EPSON Sans Serif H
○ ● ●	EPSON Roman
● ○ ○	EPSON Sans Serif
○ ○ ●	EPSON Prestige
○ ● ○	EPSON Script

On ○ Off ● Flashing ◊

**Note:**

- Roman T and Sans Serif H fonts are available in proportional spacing only.
- Font selections you make with your software program usually override these control panel selections. For best results, use your software program to select fonts.

## Default-Setting Mode

Your printer comes with a series of internal settings that control a variety of printer functions, such as print direction and auto line feed. Because these settings take effect each time you turn on the printer, they are called default settings.

The factory default settings are designed to meet the needs of most users, so you may not need to change them. The table below lists all the features you can select in the default-setting mode.

Setting	Options
Character table	Italic U.S.A., Italic France, Italic Germany, Italic U.K., Italic Denmark 1, Italic Sweden, Italic Italy, Italic Spain 1, PC437, PC850, PC860, PC861, PC863, PC865, BRASCII, or Abicomp
Auto print direction	On, Off
Network interface mode	On, Off
Mixed text/graphics mode	On, Off
Auto line feed	On, Off

**Note:**

Most software programs control the character table and auto line feed. If your software program controls these features, you may never need to set them with the control panel.

### Default setting descriptions

#### Character table

Character tables contain the characters and symbols used by different languages. The printer prints text with the selected character table. When you select this feature, the font lights on the control panel go on or off to indicate the current selection.

#### Auto print direction

The printer ordinarily prints text bidirectionally for speed and prints graphics characters unidirectionally for precise vertical alignment.

When auto print direction is set to on, the printer switches automatically between bidirectional (for text data) and unidirectional motion (for graphics data). When this feature is set to off, the print head motion is controlled by your software.

#### Network interface mode

If your printer is connected to a single computer, leave this feature off. If you want to use the printer in a network environment and share it among multiple computers, set this feature to on.

When this feature is set to on, data may be present in the printer's buffer even though the printer is not continuously printing. Always make sure the data light is off before turning off the printer.

#### Mixed text/graphics mode

This feature is for software that has problems printing scalable font text combined with graphics. Leave the mixed text/graphics mode set to off if you do not notice any problems in your printout.

#### Auto line feed

When the auto line feed feature is on, each carriage return (CR) code is accompanied by a line feed (LF) code. If your printed text is unexpectedly double-spaced, set this feature to off. If text lines print on top of each other, set it to on.

### Changing the default settings

To change the printer's default settings, you press the control panel buttons; the control panel lights show your selections.

Follow the steps below to make your changes:

1. Make sure the printer is turned off and paper is loaded in the paper feeder.
2. Hold down the Economy/Condensed button and turn on the printer to enter the default-setting mode.

The printer loads a sheet of paper and prints a brief summary and instructions that tell you how to select the language that you want messages printed in (English, French, German, Italian, or Spanish).

3. Press the Font button until the Font lights indicate the language of your choice; then press the Alt button to make your selection.

Language	Font lights
English	● ● ○
French	● ○ ●
German	○ ● ●
Italian	● ○ ○
Spanish	○ ○ ●

○ On ● Off

After you press the Alt button, the printer prints the current default settings in bold letters, and the next instruction in the language you selected. Wait until printing is finished, then go to the next step.

4. To move to the feature you want to change, press the Alt button until the Data, Paper Out, and Ink Out lights indicate the appropriate selection.

Default-setting menu	Data light	Paper Out light	Ink Out light
Character table	●	●	○
Auto print direction	●	●	◐
Network interface mode	●	○	●
Mixed text/graphics mode	●	○	○
Auto line feed	●	○	◐

○ On ● Off ◐ Flashing

For example, if you want to change the character table setting, press the Alt button until the Data and Paper Out lights are off and the Ink Out light is on.

5. Next, press the Font button to change the setting.

As you move from setting to setting, the Font lights turn on (○), off (●), and flash (◐) to show your selection, as indicated in the following table.

Default-setting menu	Settings	Font lights
Character table	Italic U.S.A.	● ● ●
	Italic France	● ● ○
	Italic Germany	● ● ◐
	Italic U.K.	● ○ ●
	Italic Denmark 1	● ○ ○
	Italic Sweden	● ○ ◐
	Italic Italy	● ◐ ●
	Italic Spain 1	● ◐ ○
	PC437 (USA, Standard Europe)	● ◐ ◐
	PC850 (Multilingual)	○ ● ●
	PC860 (Portuguese)	○ ● ○
	PC861 (Ireland)	○ ○ ○
	PC863 (Canadian-French)	○ ● ◐
	PC865 (Norwegian)	○ ○ ●
BRASCI (Brazilian Portuguese)	○ ○ ◐	
Abicomp (Brazilian Portuguese)	○ ◐ ●	
Auto print direction	Off	● ● ○
	On	● ● ●
Network mode	Off	● ● ●
	On	● ● ○
Mixed text/graphics mode	Off	● ● ●
	On	● ● ○
Auto line feed	Off	● ● ●
	On	● ● ○

6. Repeat steps 4 and 5 to make all of your changes.  
7. To exit the default-setting mode, turn the printer off.

**Note:**

- You may exit the default-setting mode any time by turning off the printer. Any changes you have made remain in effect until you change them again.
- If you want to check the new default settings, enter the default-setting mode again and print the current settings. After you check them, turn the printer off to exit without making changes.

## Installing the Ink Cartridge

Each ink cartridge contains enough ink to print about 700 pages. The exact number of pages a single cartridge can print varies according to the amount of text and graphics on each page.



**Caution:**

The ink cartridge is a self-contained unit. Under ordinary use, ink will not leak from the cartridge. If ink does get on your hands, wash them thoroughly with soap and water. If ink gets in your eyes, flush them immediately with water.

The first time you use your new printer, you need to charge the ink delivery system with ink. You need to perform this operation only once.

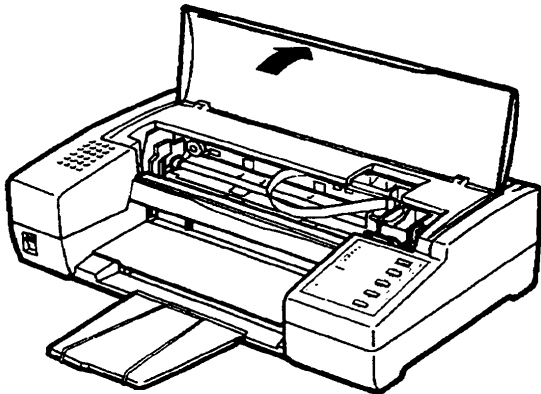
Install the ink cartridge as follows:

**Note:**

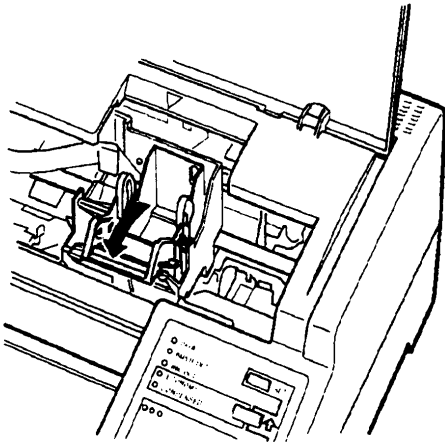
- Do not open the ink cartridge package until just before you install the cartridge, or the ink may dry up.
  - Once you install the ink cartridge, do not open the clamp or remove the ink cartridge except to replace it with a new one. The cartridge may become unusable otherwise.
1. Make sure the printer is turned off.
  2. Hold down both the Alt and Pause buttons while you turn on the printer. Release the buttons after the printer starts initializing.

The print head moves to the ink cartridge replace position automatically.

3. Open the printer cover.

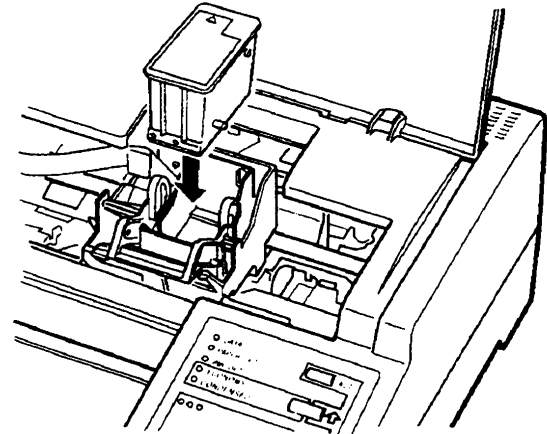


4. Pull the top of the ink cartridge clamp toward you to open it.

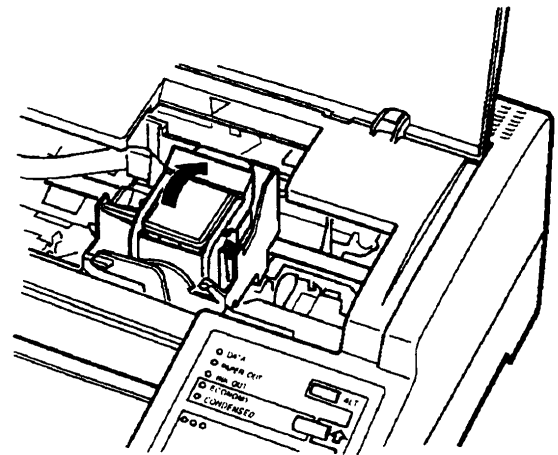


5. Open the foil package containing the ink cartridge and remove it from the protective cardboard. Be sure to remove the tape seal from the ink cartridge.

6. Lower the cartridge into the holder with the label face up and the arrow mark on the cartridge toward the arrow mark on the printer case.



7. Push the ink cartridge clamp toward the back of the printer to secure the cartridge.



8. Press the Alt button again to charge the ink delivery system. It takes about one minute. The Pause light flashes throughout the cycle and turns off when the ink charging has finished.

**!** **Caution:** Do not turn off or reset the printer until the ink-charging cycle is complete.

9. Close the printer cover.

## Testing the Printer

After you charge the ink delivery system, you can use the built-in self test to make sure the printer is working properly. You can run the self test with paper from the built-in paper feeder or by feeding a sheet manually. This section describes loading paper in the paper feeder.

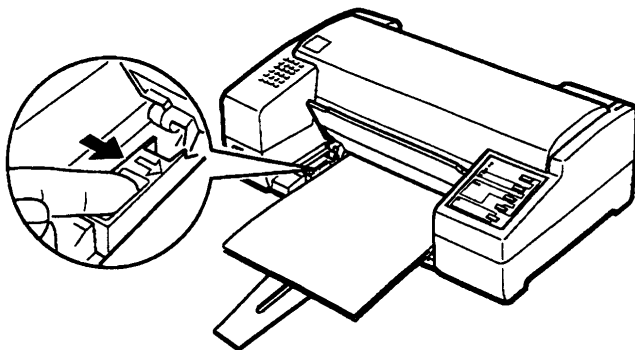
### Loading paper in the paper feeder

1. Open the paper feeder cover and lift the paper separator.
2. Fan a stack of letter-size or A4 paper; then tap it on a flat surface to even the edges.

**Note:**

The paper size (letter or A4) varies depending on the country and is shown on the edge of the paper support. The paper feeder holds up to 100 sheets (64 g/m<sup>2</sup> or 16 lb maximum).

3. Insert a stack of paper all the way into the paper feeder with the printable surface face down. Align the right edge of the stack with the right edge of the paper feeder. Then move the left edge guide to match the width of your paper, as shown below.



4. Close the paper feeder cover and lower the paper separator to secure the paper stack.

Now you are ready to run the self test.

### Running the self test

1. Make sure the printer is turned off.
2. While holding down the Font button, turn on the printer. It loads a sheet of paper automatically from the paper feeder and begins the self test.

The printer prints characters in each font, in the order the fonts appear on the control panel. Here is part of a typical self test:

```
Courier
!"#$%&'()*+,-./0123456789:;<=>?@ABCDEFGHIJKLMNQRST
!"#$%&'()*+,-./0123456789:;<=>?@ABCDEFGHIJKLMNQRST
!"#$%&'()*+,-./0123456789:;<=>?@ABCDEFGHIJKLMNQRST
!"#$%&'()*+,-./0123456789:;<=>?@ABCDEFGHIJKLMNQRSTU
!"#$%&'()*+,-./0123456789:;<=>?@ABCDEFGHIJKLMNQRSTU
!"#$%&'()*+,-./0123456789:;<=>?@ABCDEFGHIJKLMNQRSTUV
!"#$%&'()*+,-./0123456789:;<=>?@ABCDEFGHIJKLMNQRSTUVW
!"#$%&'()*+,-./0123456789:;<=>?@ABCDEFGHIJKLMNQRSTUVW
Roman T
()!*+,-./0123456789:;<=>?@ABCDEFGHIJKLMNQRSTUVWXYZ[\]^_`abcdefg hij
()*+,-./0123456789:;<=>?@ABCDEFGHIJKLMNQRSTUVWXYZ[\]^_`abcdefg hij
()*+,-./0123456789:;<=>?@ABCDEFGHIJKLMNQRSTUVWXYZ[\]^_`abcdefg hij
```

3. The self test continues until the paper in the paper feeder runs out or you press the Pause button. To stop the test, press the Pause button. To resume the test, press the Pause button again.
4. To end the self test, press the Pause button to stop printing and then press the Load/Eject button to eject the paper.
5. Turn off the printer.

## Selecting the Printer Type

Most software programs let you specify the type of printer you use so that the program can take full advantage of the printer's features. Many of these programs provide an installation or setup menu that presents a list of printers.

To take full advantage of your printer's features, including ESC/P 2, choose one of the first six printers on the list below. If none of these is listed, contact your software manufacturer for an update that includes one of these. Until you receive an update, choose another printer as close to the top of the list as possible.

Stylus 800+	ESC/P2	SQ-850/2550	ESC/P
Stylus 800		LQ-850+/1050+	
ActionPrinter 3250		LQ-550/1010	
SQ-870/1170		LQ-500	
LQ-870/1170		LQ-2550	
LQ-570/1070		LQ-800/1000	
LQ-100	LQ-1500		

If none of these printers is listed among your program's options, select the first one available from the following: LQ, EX, FX, LX, RX, MX, EPSON printer, Standard printer, and Draft printer.



## Tips for Using the Paper Feeder

Following the tips below will give you the best performance when printing with the paper feeder.

- ❑ Load paper into the paper feeder before you turn on the printer and send data. When the printer receives data from the computer, it loads a single sheet automatically and begins to print.
- ❑ If the printer runs out of paper during a print job, reload the paper feeder and then press the Load/Eject button to continue printing.
- ❑ Press the Load/Eject button if you need to eject a sheet of loaded paper.
- ❑ You can switch to manual loading to feed single sheets or envelopes without removing the paper supply from the paper feeder.
- ❑ You can adjust the loading and print positions with the printer's micro-feed feature. Because most software programs take care of the top and bottom margins, you should usually adjust the margins by using your programs, taking the printer's default loading position into account.
- ❑ The default page length for paper loaded from the paper feeder is 61 lines (letter-size paper) and 65 lines (A4-size paper). You can change it using your software program or printer commands, if necessary.
- ❑ If the ink does not dry fast enough, try removing sheets one at a time as they finish printing.

## Loading Paper Manually

You can load single sheets of paper or envelopes from the manual feed slot without removing the paper supply from the paper feeder.

### Paper sizes

You can use the manual feed slot to load single sheets of paper from 182 mm (7.1 inches) to 216 mm (8.5 inches) wide and from 257 mm (10.1 inches) to 297 mm (11.7 inches) long.

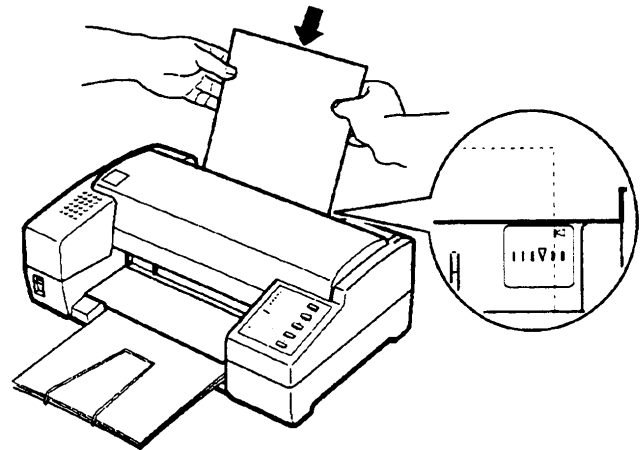
You can also load the following envelope sizes from the manual feed slot:

- ❑ Envelope No. 6, 166 mm (6.5 inches) wide × 92 mm (3.6 inches)
- ❑ Envelope No. 10, 240 mm (9.5 inches) wide × 104 mm (4.1 inches)

## Printing on single sheets

Follow these steps to load a single sheet in the manual feed slot:

1. Turn on the printer.
2. Insert a single sheet of paper into the slot until it meets resistance, aligning the right edge of the paper with the arrow mark on the printer. The printer automatically loads the sheet.



### Note:

*If the sheet does not load straight, press the Load/Eject button to eject it. Then try loading it again.*

3. Send data from the computer to the printer. When the printer receives the data, it begins printing.  
When the printer finishes printing, it ejects the sheet automatically. If the sheet does not come all the way out, press the Load/Eject button.
4. You can print as many sheets as you like from the manual slot. When you want to switch to the paper feeder, press the Load/Eject button and do not insert a sheet into the manual slot. The printer then loads a sheet of paper from the paper feeder.

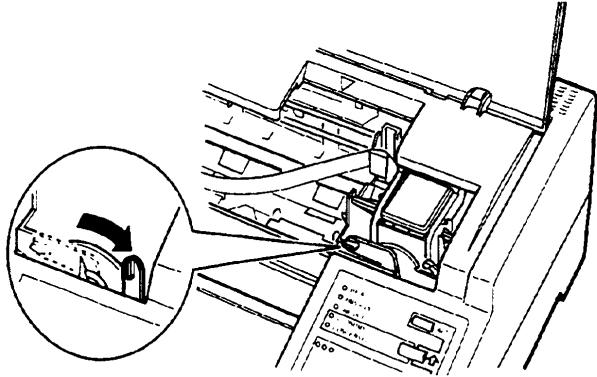
### Note:

*If the ink does not dry fast enough, try removing sheets one at a time as they finish printing.*

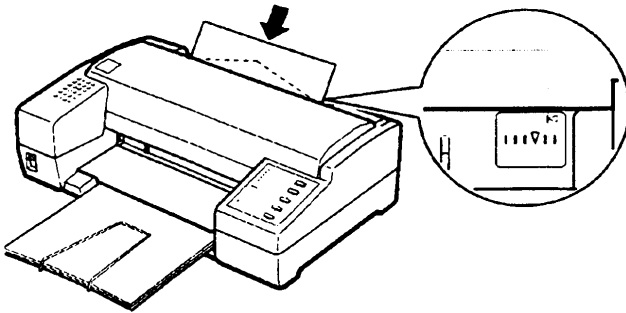
## Printing on envelopes

You can also use the manual feed slot to print on individual envelopes.

1. Turn on the printer and open the printer cover.
2. Turn the paper-thickness lever clockwise as far as it will go.



3. Close the printer cover.
4. Insert an envelope into the manual feed slot with the wide end at the top entering the printer first, and the printable side face up, until it meets resistance. The printer loads the envelope to the print position automatically.



5. Send data from your computer. The printer ejects the envelope automatically when it is finished printing.

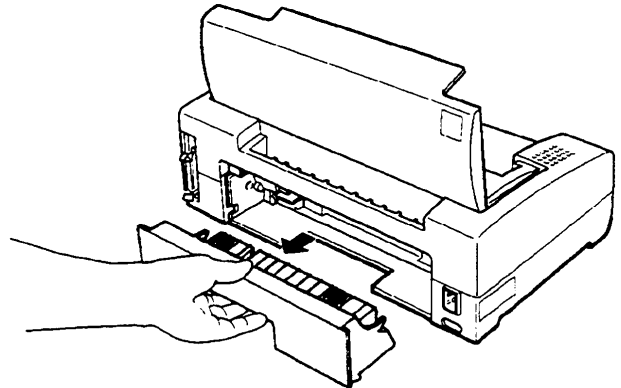
### Note:

- Make sure your software program keeps the printing entirely within the printable area of the envelope.
  - Use envelopes only under normal environmental conditions.
  - If the ink is not drying fast enough, try removing envelopes one at a time as they finish printing.
6. To switch back to the paper feeder, turn the paper-thickness lever counterclockwise as far as it will go. Then press the Load/Eject button to load from the paper feeder.

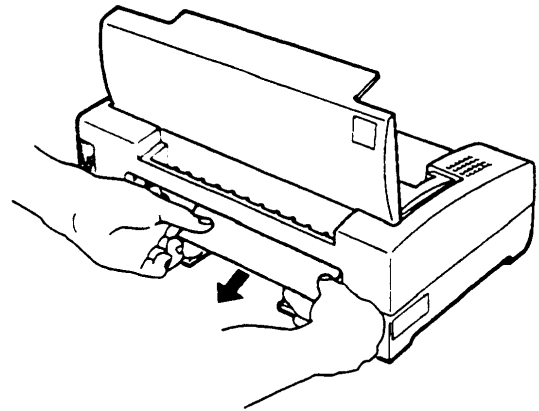
## Paper Jams

To clear a paper jam, follow the steps below.

1. Open the printer cover and the paper feeder cover.
2. Pull the access panel away from the rear of the printer, as shown below.



3. Pull the paper out gently. If the paper tears, make sure you remove any remaining pieces.



4. If the paper is caught in the paper ejection area, gently pull it out of the printer.
5. Push the access panel back onto the rear of the printer and close the printer cover and the paper feeder cover.

## Preventing paper feed and paper jam problems

If you have frequent paper feed or paper jam problems, refer to this checklist of corrective measures:

- ❑ Use a higher-quality paper, one that is not too thin or rough. Some types of paper require manual feeding.
- ❑ Fan the stack of paper and then tap it on an edge to align it before you load it.
- ❑ Be sure that you do not load too much paper in the paper feeder. You can load up to 100 pages.
- ❑ Try turning the stack of paper over in the paper feeder. Most packages of paper indicate the best side to print on with an arrow on the end of the package. Make sure the best side is loaded face down.

## Printer Care

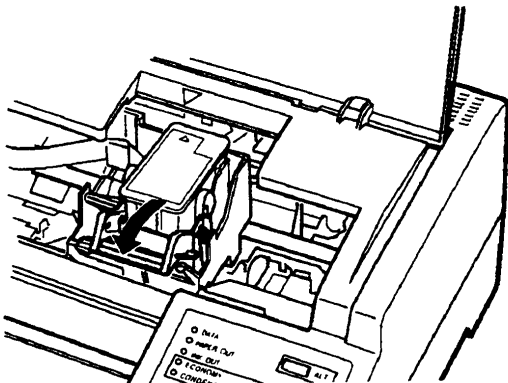
### Replacing the Ink Cartridge

When the Ink Out light on the control panel flashes, the ink in the ink cartridge is low. The printer will continue printing until the cartridge is completely empty. When it is out of ink, the printer stops and the Ink Out light stays on. Printing will not resume until you insert a new cartridge.

It's a good idea to keep a spare ink cartridge on hand. The printer will be damaged if you use ink or cartridges not manufactured by EPSON (S020025) or to EPSON's specifications. Do not attempt to refill ink cartridges manually. If you use substandard products with your EPSON printer, you will damage the print head and void your warranty.

Follow these steps to remove the empty cartridge:

1. Make sure the printer stops printing and both the Ink Out and Pause lights stay on. Then open the printer cover.
2. Hold down the Alt button for several seconds and release the button when the print head moves to the ink cartridge replace position.
3. Pull the ink cartridge clamp toward you to release the cartridge. (The clamp pushes the ink cartridge up so it is easy to grasp.)



4. Lift the cartridge out of the printer and dispose of it properly. Do not take the used cartridge apart or try to refill it.



#### Warning:

*The ink cartridge is self-contained to prevent leaks. However, if ink gets on your hands, wash them thoroughly with soapy water. Avoid touching your eyes. If irritation occurs, contact a physician.*

5. Follow steps 5 through 9 in "Installing the Ink Cartridge" to install the new cartridge.

#### Note:

*When you replace the cartridge, the printer will not recharge the ink delivery system again. However, the print head may start moving as the printer performs normal maintenance procedures. This can take up to 40 seconds to complete.*

### Cleaning the Print Head

If print quality diminishes, use the printer's built-in print head cleaning cycle to ensure that the nozzles are delivering ink properly. To avoid wasting ink, clean the print head only if print quality declines.

Follow these steps:

1. Make sure the printer is turned on and the Pause light is on. If the Pause light is not on, press the Pause button to pause the printer.
2. Hold down the Alt button and press the Pause button for two seconds.

The cleaning cycle takes about 40 seconds. The Pause light flashes throughout the cycle and then stays on when the cleaning cycle is finished.

3. Press the Pause button to resume printing.

## Information Reference List

### Engineering Change Notices

None

### Product Support Bulletins

None

### Technical Information Bulletins

None

### Related Documentation

TM-STYLUS8+	STYLUS 800+ Service Manual
PL-STYLUS8+	STYLUS 800+ Parts Price List
4002820	STYLUS 800+ User's Guide